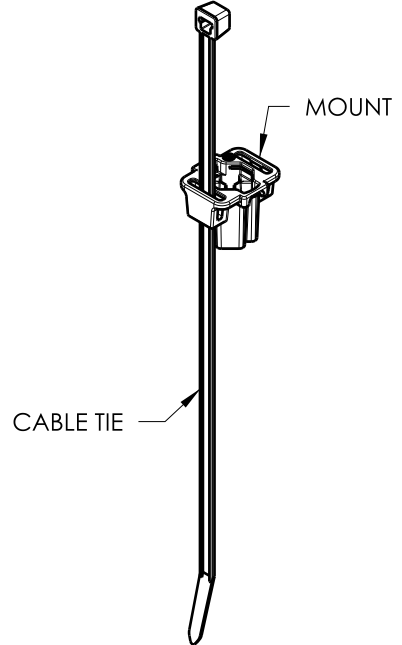
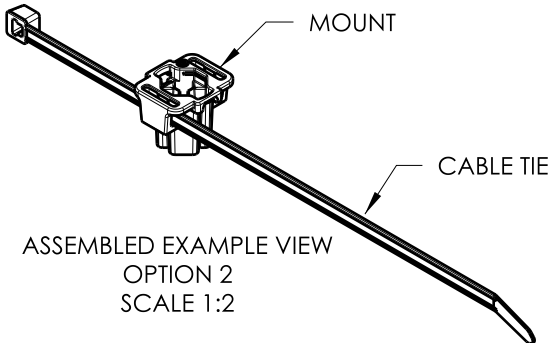
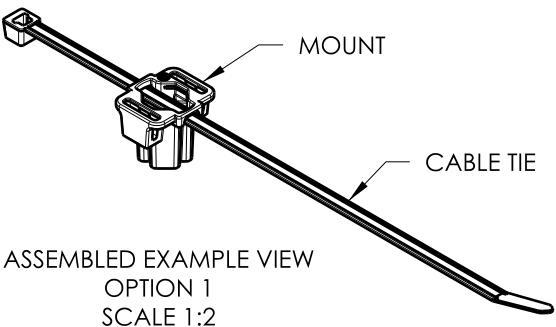
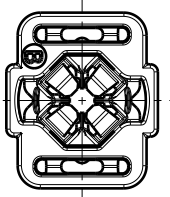


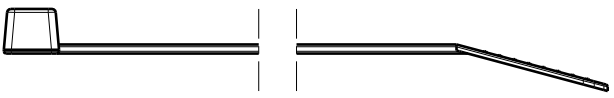
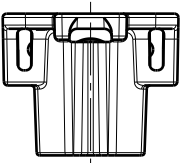
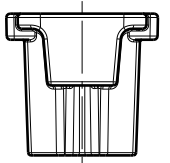
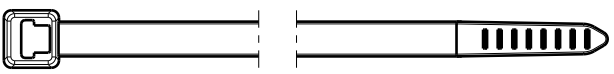
Revision Level			Revision Record	Changed	Date	Approved	Date
Drawing	State	Part					
02.2	Design Release	B	SEE ECN# 013547	KVH	10/3/16	EJH	10/3/16



MOUNT
DELIVERY CONDITION: UNASSEMBLED SET



CABLE TIE
DELIVERY CONDITION: UNASSEMBLED SET



UNS NUMBER	TYPE	BUNDLE RANGE	CABLE TIES			MOUNT		
			DRAWING	MATERIAL	COLOR	DRAWING	MATERIAL	COLOR
156-01547	T50R0SBS5-6U-SET	4 TO 50	CT2050007CST	PA66HS	BLACK	14-0970-031-CSU	PA66HIRHS	BLACK

Material SEE CHART COLOR: SEE CHART	Units	millimeters	Drawn	KVH	1/14/16	Article/Type-No	SEE CHART	Scale	1:1
	Tolerance defined on each dimension	The copyright of this drawing is reserved by HellermannTyton. It is issued on condition that it is not reproduced, copied or disclosed to a third party, either wholly or in part, without the consent of HellermannTyton.	Approved	CJR	1/14/16	Title	M5, T5 AND M6 THREAD STUD MOUNT WITH T50R CABLE TIE	Project Number	14-0970
			 North America Email: corp@htamericas.com Web: www.hellermann.tyton.com			Drawing-No	PRODUCTION : Phase	Format	AH
						14-0970-121-CSU		Sheet	1/1