

STRUCTURE Silicon Monolithic Integrated Circuit

PRODUCT 3 channel video driver for DVD (Y/C MIX Type)

TYPE **B A 7 6 6 5 A F S**

PACKAGE S S O P - A 1 6 (Plastic Mold)

Features

- 1) A low consumption electric power movement
- 2) Output Mute circuit built-in
- 3) The power save circuit built-in
- 4) Output protection circuit built-in
- 5) Output coupling capacitor is the small capacity by sag compensation circuit built - in
- 6) The drive can have two load (each channel)
- 7) Y/C MIX circuit built-in

■ Absolute Maximum Ratings (Ta=25°C)

Parameter	Symbol	Rating	Unit
Supply Voltage	Vcc	8	V
Power dissipation	Pd	650	mW
Input Voltage Range	Vin	0~VCC	V
Operating temperature range	Topr	-25~+75	°C
Storage temperature range	Tstg	-55~+125	°C

※ When absolute temperature exceeds Ta=25°C, the rated value is reduced by 6.5mW/°C.

■ Operating Voltage Range

Parameter	Symbol	Min.	TYP.	MAX.	Unit
Operation Power Supply voltage	Vcc	4.5	5.0	5.5	V

※ This product is not designed for protection against radioactive rays.

Status of this document

The Japanese version of this document is the formal specification.

A customer may use this translation version only for a reference to help reading the formal version.

If there are any differences in translation version of this document, formal version takes priority.

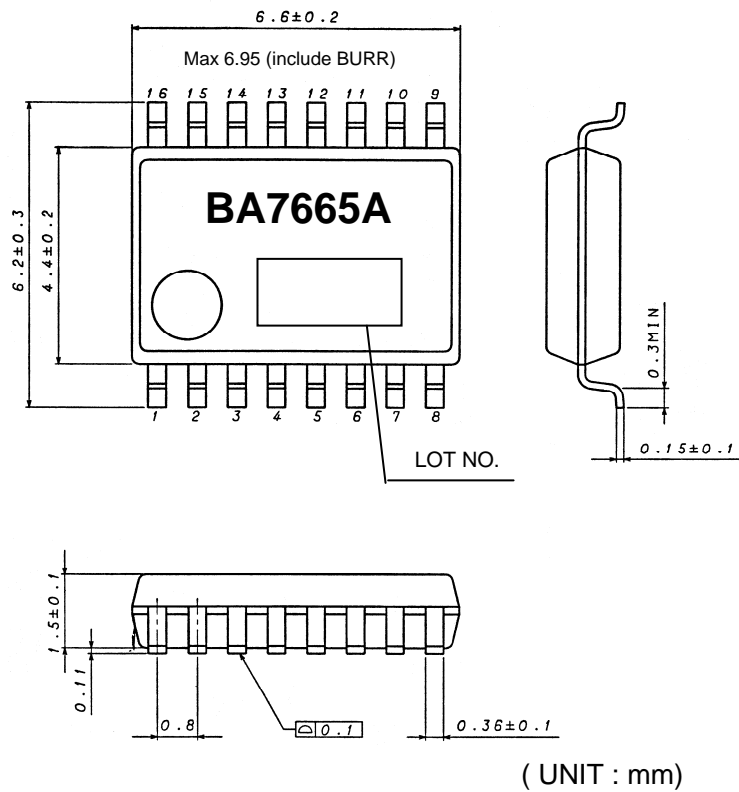
Application example

- ROHM cannot provide adequate confirmation of patents.
- The product described in this specification is designed to be used with ordinary electronic equipment or devices (such as audio-visual equipment, office-automation equipment, communications devices, electrical appliances, and electronic toys). Should you intend to use this product with equipment or devices which require an extremely high level of reliability and the malfunction of which would directly endanger human life (such as medical instruments, transportation equipment, aerospace machinery, nuclear-reactor controllers, fuel controllers and other safety devices), please be sure to consult with our sales representative in advance.
- ROHM assumes no responsibility for use of any circuits described herein, conveys no license under any patent or other right, and makes no representations that the circuits are free from patent infringement.

■ Electrical characteristics 【Unless otherwise specified, VCC=5V, Ta=25°C】

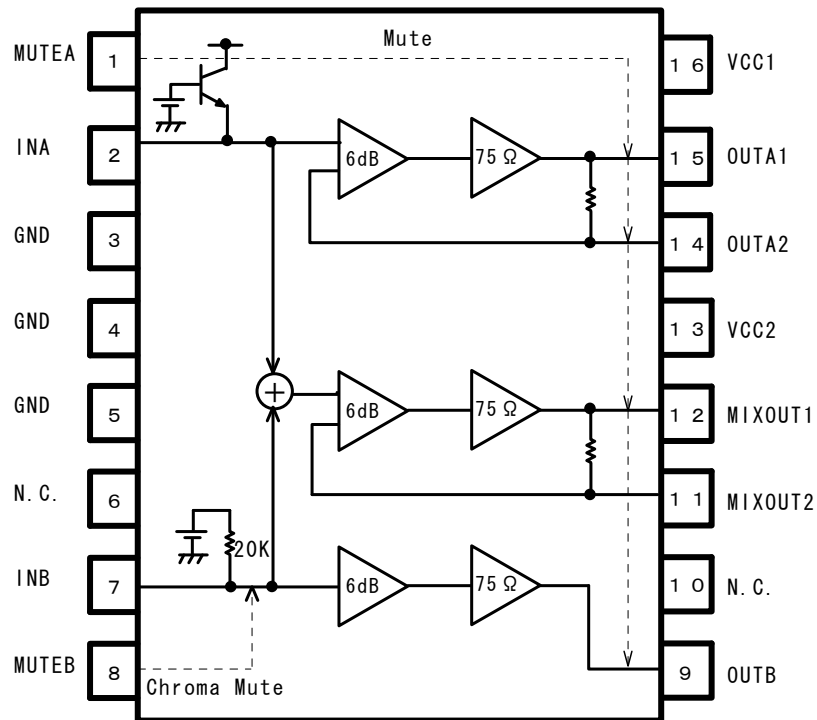
Parameter	Symbol	Limit			Unit	condition
		Min.	TYP.	MAX.		
Circuit current	ICC	13.0	26.0	39.0	mA	No signal
Maximum output level	Vom	2.6	3.0	—	Vp-p	f=1kHz, THD=1%
Frequency characteristics	Gf	-1.0	0.0	1.0	dB	f=7MHz/1MHz, 1Vp-p
MUTE Change level “H”	VTHH	2.5	—	VCC	V	
MUTE Change level “L”	VTHL	0	—	1.0	V	
Input impedance	ZIN	16	20	24	KΩ	Chroma Input pin (7PIN)

■ Outer Dimensions



PKG : SSOP-A16

■ BLOCK DIAGRAM



■ Pin number and pin name

PIN No.	PIN NAME
1	MUTEA
2	INA
3	GND
4	GND
5	GND
6	N.C.
7	INB
8	MUTEB
9	OUTB
10	N.C.
11	MIXOUT2
12	MIXOUT1
13	VCC2
14	OUTA2
15	OUTA1
16	VCC1

■Cautions on use

(1) Numbers and data in entries are representative design values and are not guaranteed values of the items.

(2) Absolute maximum ratings

If applied voltage, operating temperature range, or other absolute maximum ratings are exceeded, the LSI may be damaged. Do not apply voltages or temperatures that exceed the absolute maximum ratings. If you think of a case in which absolute maximum ratings are exceeded, enforce fuses or other physical safety measures and investigate how not to apply the conditions under which absolute maximum ratings are exceeded to the LSI.

(3) GND potential

Make the GND pin voltage such that it is the lowest voltage even when operating below it. Actually confirm that the voltage of each pin does not become a lower voltage than the GND pin, including transient phenomena. Absolute maximum ratings.

(4) Thermal design

Perform thermal design in which there are adequate margins by taking into account the allowable power dissipation in actual states of use.

GND potential
Make the GND pin voltage such that it is the lowest voltage even when operating below it. Actually confirm that the voltage of each pin does not become a lower voltage than the GND pin, including transient phenomena.

(5) shorts between pins and misinstallation

When mounting the LSI on a board, pay adequate attention to orientation and placement discrepancies of the LSI. If it is misinstalled and the power is turned on, the LSI may be damaged. It also may be damaged if it is shorted by a foreign substance coming between pins of the LSI or between a pin and a power supply or a pin a GND.

(6) Operation in strong magnetic fields

Adequately evaluate use in a strong magnetic field, since there is a possibility of malfunction.

Notes

No copying or reproduction of this document, in part or in whole, is permitted without the consent of ROHM Co.,Ltd.

The content specified herein is subject to change for improvement without notice.

The content specified herein is for the purpose of introducing ROHM's products (hereinafter "Products"). If you wish to use any such Product, please be sure to refer to the specifications, which can be obtained from ROHM upon request.

Examples of application circuits, circuit constants and any other information contained herein illustrate the standard usage and operations of the Products. The peripheral conditions must be taken into account when designing circuits for mass production.

Great care was taken in ensuring the accuracy of the information specified in this document. However, should you incur any damage arising from any inaccuracy or misprint of such information, ROHM shall bear no responsibility for such damage.

The technical information specified herein is intended only to show the typical functions of and examples of application circuits for the Products. ROHM does not grant you, explicitly or implicitly, any license to use or exercise intellectual property or other rights held by ROHM and other parties. ROHM shall bear no responsibility whatsoever for any dispute arising from the use of such technical information.

The Products specified in this document are intended to be used with general-use electronic equipment or devices (such as audio visual equipment, office-automation equipment, communication devices, electronic appliances and amusement devices).

The Products specified in this document are not designed to be radiation tolerant.

While ROHM always makes efforts to enhance the quality and reliability of its Products, a Product may fail or malfunction for a variety of reasons.

Please be sure to implement in your equipment using the Products safety measures to guard against the possibility of physical injury, fire or any other damage caused in the event of the failure of any Product, such as derating, redundancy, fire control and fail-safe designs. ROHM shall bear no responsibility whatsoever for your use of any Product outside of the prescribed scope or not in accordance with the instruction manual.

The Products are not designed or manufactured to be used with any equipment, device or system which requires an extremely high level of reliability the failure or malfunction of which may result in a direct threat to human life or create a risk of human injury (such as a medical instrument, transportation equipment, aerospace machinery, nuclear-reactor controller, fuel-controller or other safety device). ROHM shall bear no responsibility in any way for use of any of the Products for the above special purposes. If a Product is intended to be used for any such special purpose, please contact a ROHM sales representative before purchasing.

If you intend to export or ship overseas any Product or technology specified herein that may be controlled under the Foreign Exchange and the Foreign Trade Law, you will be required to obtain a license or permit under the Law.



Thank you for your accessing to ROHM product informations.
More detail product informations and catalogs are available, please contact us.

ROHM Customer Support System

<http://www.rohm.com/contact/>