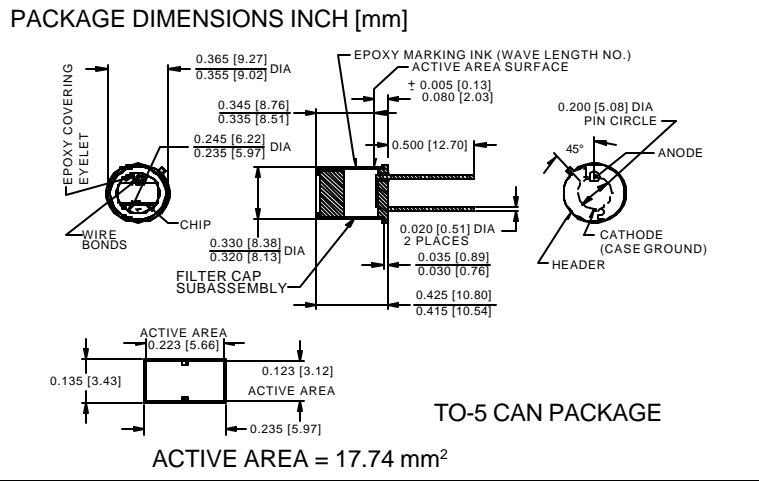


PHOTONIC DETECTORS INC.

Silicon Photodiode, Filter Combination Photovoltaic 500 nm (blue color) Type PDV-V405



FEATURES

- 500 nm CWL
- 70 nm FWHM
- Low noise

DESCRIPTION: The PDV-V405 is a silicon, PIN planar diffused, photodiode with a blue color 500 nm +/- 2 nm CWL wide band interference filter and a wide 70 nm halfbandwidth. Ideal for color film processing, color meters, and other photometry and radiometry measurement applications.

APPLICATIONS

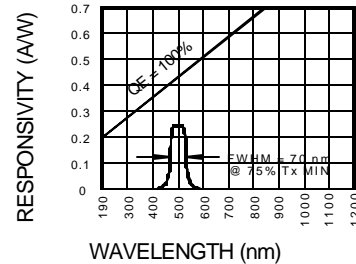
- Blue color matching
- Color meters
- Film processing

ABSOLUTE MAXIMUM RATING (TA=25°C unless otherwise noted)

| SYMBOL | PARAMETER | MIN | MAX | UNITS |
|------------------|-----------------------------|-----|------|-------|
| V _{BR} | Reverse Voltage | | 100 | V |
| T _{STG} | Storage Temperature | -20 | +85 | °C |
| T _O | Operating Temperature Range | -15 | +70 | °C |
| T _S | Soldering Temperature* | | +240 | °C |
| I _L | Light Current | | 0.5 | mA |

*1/16 inch from case for 3 secs max

SPECTRAL RESPONSE



ELECTRO-OPTICAL CHARACTERISTICS (TA=25°C unless otherwise noted)

| SYMBOL | CHARACTERISTIC | TEST CONDITIONS | MIN | TYP | MAX | UNITS |
|--------------------|-----------------------------------|---------------------------------|-----|---------------------|-----|--------|
| I _{SC} | Short Circuit Current*** | H = 100 fc, 2850 K | 150 | 200 | | μA |
| I _D | Dark Current | H = 0, V _R = 10 mV | | 10 | 50 | pA |
| R _{SH} | Shunt Resistance | H = 0, V _R = 10 mV | .20 | 2 | | GΩ |
| TC R _{SH} | R _{SH} Temp. Coefficient | H = 0, V _R = 10 mV | | -8 | | % / °C |
| C _J | Junction Capacitance | H = 0, V _R = 10 V** | | 1700 | | pF |
| CWL | Center Wavelength | (CWL, λ ₀) +/- 2 nm | | 500 | | nm |
| HBW | Half Bandwidth | (FWHM) | | 70 | | nm |
| V _{BR} | Breakdown Voltage | I = 10 μA | 50 | 75 | | V |
| NEP | Noise Equivalent Power | V _R = 10 mV @ Peak | | 9x10 ⁻¹⁵ | | W/√Hz |
| tr | Response Time | RL = 1 KΩ V _R = 10 V | | 1.0 | | μS |

Information in this technical data sheet is believed to be correct and reliable. However, no responsibility is assumed for possible inaccuracies or omission. Specifications are subject to change without notice.**f = 1 MHz, ***without filter

[FORM NO. 100-PDV-V405 REV A]