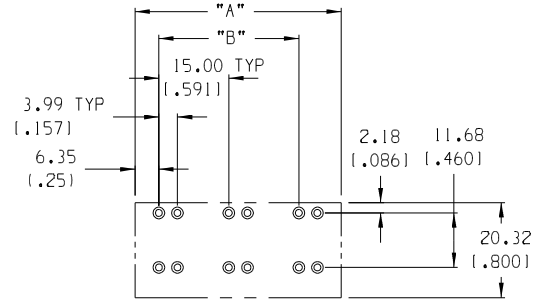
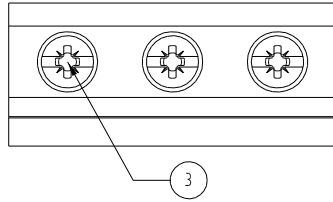
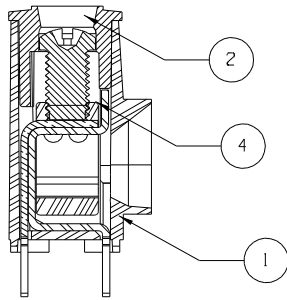
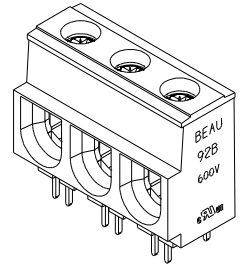


LENGTH TABLE

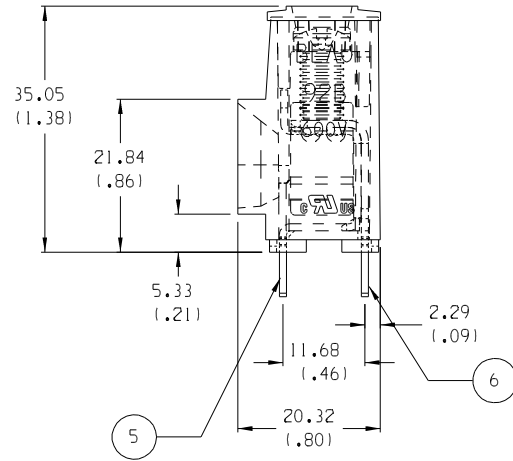
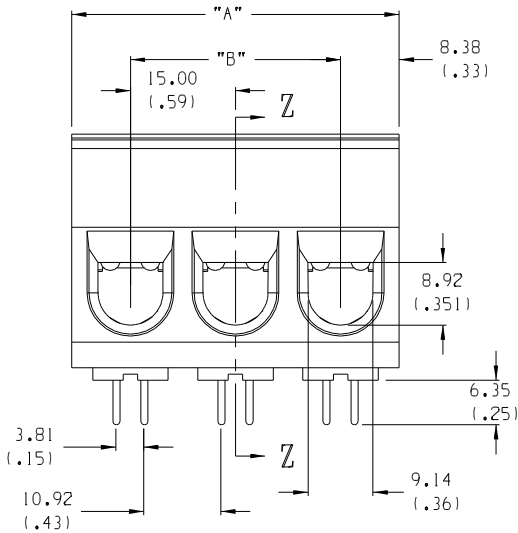
MATERIAL NO.	NO. CIRCUITS	DIM "A"	DIM "B"
	02	31.8 (1.25)	15.00 (.591)
	03	46.8 (1.84)	30.00 (1.181)
39920-0404	04	61.8 (2.43)	45.00 (1.772)
	05	76.8 (3.02)	60.00 (2.362)
	06	91.8 (3.61)	75.00 (2.952)
39920-0407	07	106.8 (4.20)	90.00 (3.543)
	08	121.8 (4.79)	105.00 (4.134)
	09	136.8 (5.38)	120.00 (4.724)
	10	151.8 (5.97)	135.00 (5.315)
	11	166.8 (6.57)	150.00 (5.906)
	12	181.8 (7.16)	165.00 (6.496)



RECOMMENDED PTH PATTERN  
 Ø1.52 (0.060) MINIMUM FINISHED HOLE  
 SCALE 1:1



SECTION Z-Z



NOTES:

1. MATERIAL: SEE TABLE.
2. FINISHES: SEE TABLE.
3. PRODUCT SPECIFICATION: NOT REQUIRED.
4. PACKAGING: NOT REQUIRED.
5. MATES WITH: NONE.
6. ALL FEATURES ARE TYPICAL UNLESS OTHERWISE NOTED.
7. "XX" REFERS TO THE NUMBER OF CIRCUIT POSITIONS
8. DESIGNED TO MEET NEC & UL 1059 CLASS C 600 VOLTS
9. MULTIPLE TAIL DESIGN FOR LOWER PCB CURRENT DENSITIES
10. PROVEN PRESSURE CLAMP STYLE CONNECTION
11. AVAILABLE IN VARIOUS LENGTHS
12. WINDOW ACCEPTS 133/23 STRANDED #2 AWG, #3 AWG AND 19 STRAND #1 AWG

ITEM	QTY.	DESCRIPTION	MATERIAL	FINISH
6	"XX"	OUTER TERMINAL	COPPER	TIN
5	"XX"	INNER TERMINAL	COPPER	TIN
4	"XX"	CAGE	BRASS	NICKEL
3	"XX"	SCREW, 1/4-28, POZI-SLOT	BRONZE	TIN
2	1	COVER	THERMOPLASTIC	BLACK
1	1	BODY	THERMOPLASTIC	BLACK

EC NO. ECN# 3987  
 DRWN: CY 01-14-05  
 CH'KT  
 APPR:  
 DESCRIPTION  
 REV

QUALITY SYMBOLS  
 MAJOR  
 CRITICAL

GENERAL TOLERANCES: (UNLESS SPECIFIED)

	mm	INCH
4 PLACES		±.0015
3 PLACES	±.038	±.005
2 PLACES	±.13	±.01
1 PLACE	±.3	

ANGULAR: ±2°

DRAFT WHERE APPLICABLE MUST REMAIN WITHIN DIMENSIONS

SCALE 1.5:1  
 DESIGN UNITS  
 mm  INCH

THIRD ANGLE PROJECTION

DRAWN BY & DATE  
 R. KEMP 4-14-04

CHECKED BY & DATE  
 AMP 4-14-04

APPROVED BY & DATE  
 G. ROBERTSON 4-14-04

CAD FILENAME  
 92B05XX

TITLE: SR, BTS, #1-#8 AWG, 600V, POZI-SLOT

MATERIAL NO. SEE CHART  
 DRAWING NO. SD-39920-007  
 SHEET NO. 1 OF 1

THIS DRAWING CONTAINS INFORMATION THAT IS PROPRIETARY TO MOLEX INCORPORATED AND SHOULD NOT BE USED WITHOUT WRITTEN PERMISSION.

DIMENSIONS:	
<input checked="" type="checkbox"/> mm	<input type="checkbox"/> INCH
<input type="checkbox"/> mm	<input type="checkbox"/> mm ONLY

1	-
SHT	REV
REVISE ON CAD ONLY	