

# Powerful Antenna Bluetooth® 5.0 Module: EYSKDNZWB

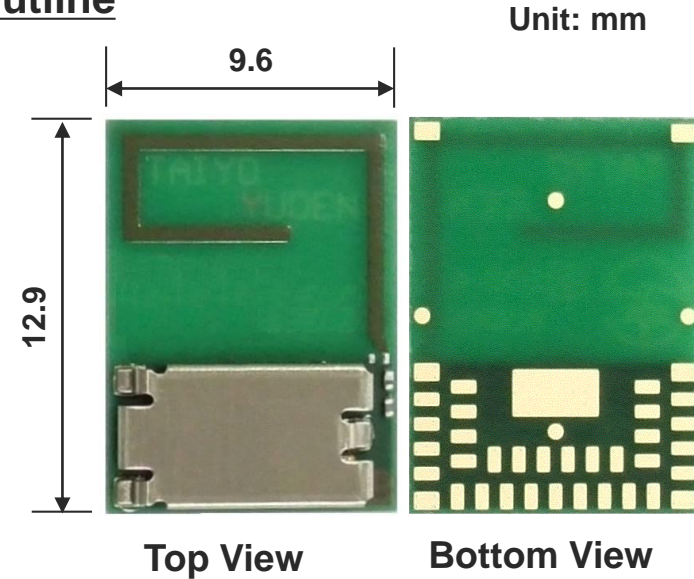
## Features

- Frequency: 2402 to 2480 MHz with +8dBm Output power
- Single power supply: 1.7– 5.5V
- Single Mode **Bluetooth 5.0 / 802.15.4 (Zigbee, Thread)**
- Bluetooth 5 data rate support: 2M / 1M / 500k / 125kbps**
- Chip: **nRF52840** (Nordic)
- Integrated System Clock
- Integrated high performance PCB antenna**
- ARM® Cortex M4F** 32bit processor and **1MB Flash & 256kB RAM**
- ARM® TrustZone® Cryptocell 310** cryptographic accelerator
- Interface: **NFC-A**, SPI, UART, I2C, I2S, PDM and 12bit ADC
- Outline: **9.6 x 12.9 x 1.3mm** MAX
- Operating Temperature range: -40 to 85 deg-C
- Bluetooth and Japan, FCC, IC qualified
- ETSI EN 300 328 v2.1.1 Conducted Test Report Available
- RoHS compliant / Complete Lead Free

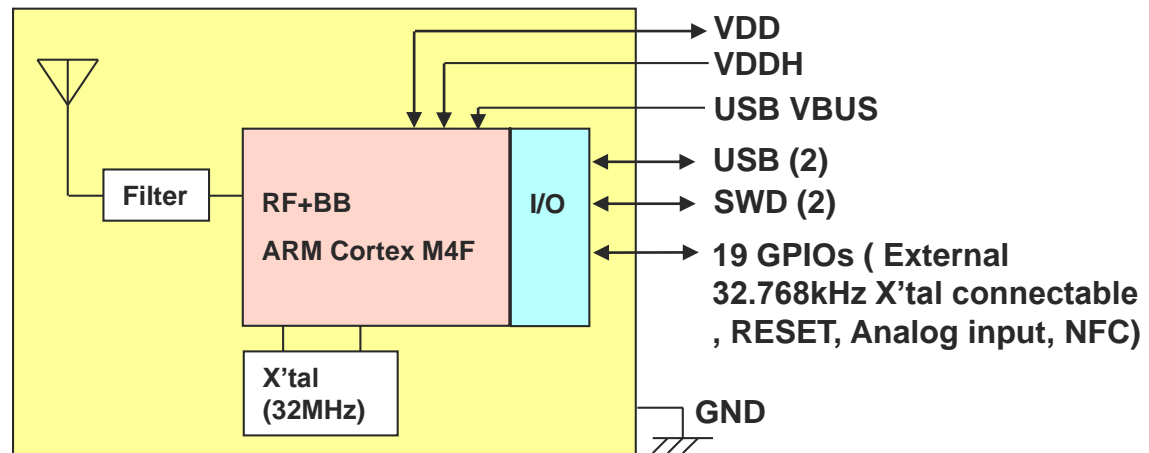
## Applications

- Beacon
- Home security
- Asset tracking
- Agricultural monitoring
- Warehouse management
- Smart factory
- Smart dairy farming
- Handy terminal
- Outdoor application

## Outline



## Block Diagram



All specifications are subject to change without notice.

The *Bluetooth*® word mark and logos are owned by the *Bluetooth* SIG, Inc. and any use of such marks by TAIYO YUDEN CO., LTD. is under license.

**TAIYO YUDEN**