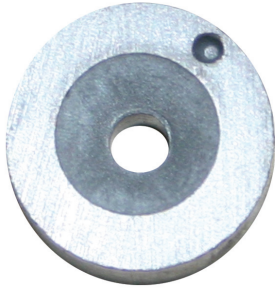
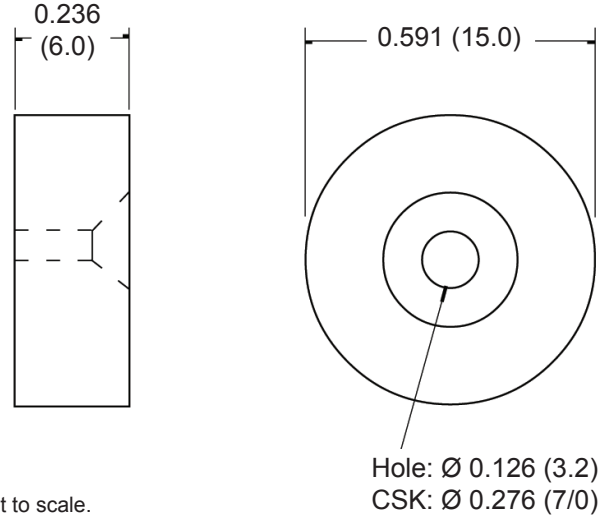


Part Number: M1218
Magnet - Bare
Product Data Sheet

PICTURE



DIMENSIONS



Drawings not to scale.
 All dimensions in inches (mm) nominal.

✓ RoHS Compliant

SPECIFICATION

Style	Ring
Diameter	0.591"
Height	0.236"
Magnet Material	Anisotropic sintered ferrite
Surface flux measurement (gauss)	1000
	Magnetized axially use non-magnetic screws to secure

Ferrite is a cost effective material which has a good resistance to demagnetization together with excellent corrosion resistance.

As part of the company policy of continued product improvement, specifications may change without notice. Our sales office will be pleased to help you with the latest information on this product range and the details of our full design and manufacturing service. All products are supplied to our standard conditions of sale unless otherwise agreed in writing.

Phone: (1) 973 777 6900

www.comus-intl.com

Fax: (1) 973 777 8405