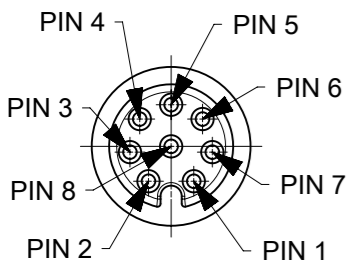
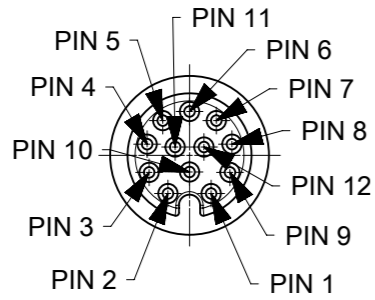


**8 POLE  
M12 FEMALE**



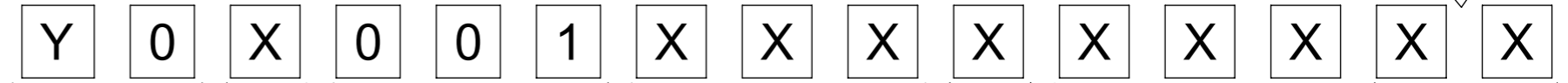
PIN	WIRE COLOR	PIN	WIRE COLOR
1	WH	5	GY
2	BN	6	PK
3	GN	7	BU
4	YE	8	RD

**12 POLE  
M12 FEMALE**



PIN	WIRE COLOR	PIN	WIRE COLOR
1	WH	7	BU
2	BN	8	RD
3	GN	9	BK
4	YE	10	VT
5	GY	11	GY/PK
6	PK	12	RD/BU

**PART No MATRIX**



Y0= ULTRA LOCK 2.0  
SINGLE ENDED

POLES:  
8 = 8 POLES  
C = 12 POLES

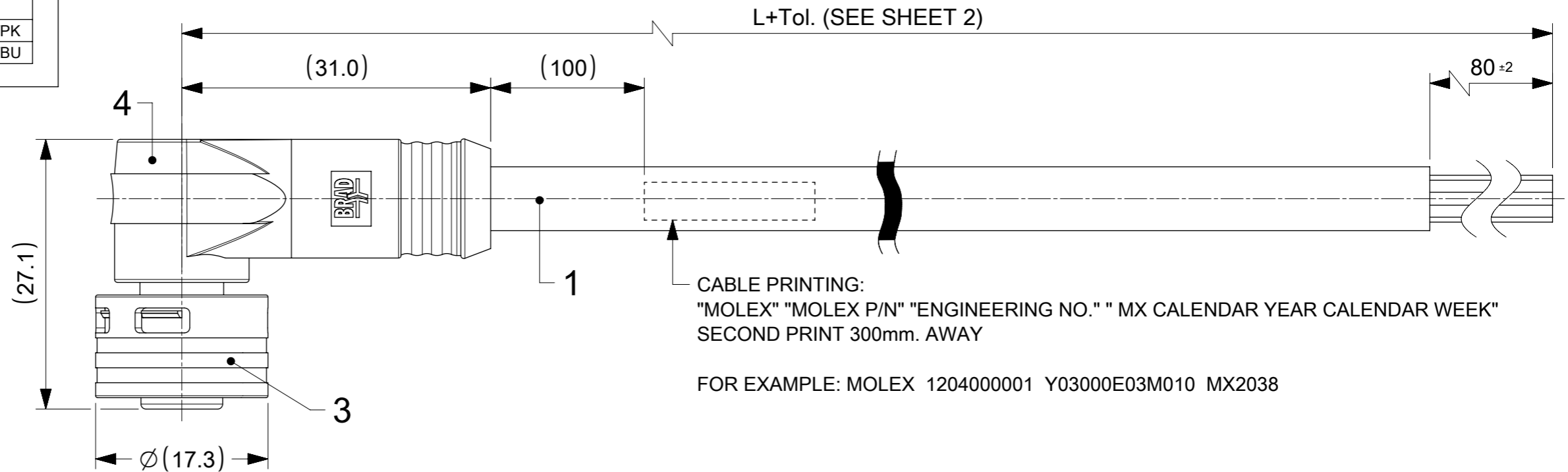
HEADER:  
001= FEMALE RA

CABLE:  
E02 - 8x0.25 PVC BLACK  
B41 - 8x0.25 WSOR BLACK  
H08 - 8x0.25 PUR-LSOH BLACK  
H45 - 12x0.14 PUR BLACK

UNIT:  
M = METER  
F = FEET  
C = CENTIMETER  
T = 10M

LENGTH:  
EXAMPLE:  
010 = 1 m  
050 = 5 m  
100 = 10 m

OVERMOLD:  
BLANK = STANDARD BRAD:  
-YELLOW IN THE USA  
-BLACK IN EUROPE  
A = GREY  
E = RED  
G = BLACK  
Y = YELLOW  
H = STD. COLOUR WITH TWO  
I/D-TAG CARRIERS

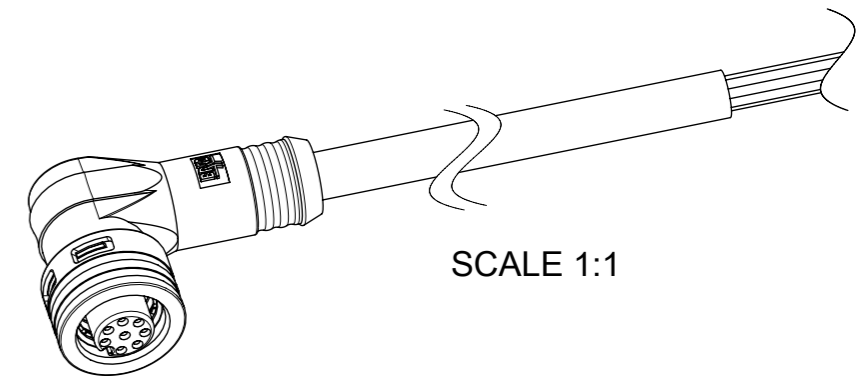


CABLE PRINTING:  
"MOLEX" "MOLEX P/N" "ENGINEERING NO." " MX CALENDAR YEAR CALENDAR WEEK"  
SECOND PRINT 300mm. AWAY

FOR EXAMPLE: MOLEX 1204000001 Y03000E03M010 MX2038

**NOTES:**

- PARTS ACC. TO PRODUCT SPECIFICATION  
1204000001 PS P10 AND IN STYLE OF IEC-61076-2-010
- BOM & PART LIST - SEE SHEET 2
- RATED VOLTAGE :  
8, 12 CONTACTS: 30V AC OR DC  
RATED CURRENT:  
8 CONTACTS: 2A  
12 CONTACTS: 1.5A,  
DERATING HAS TO BE CONSIDERED  
OVERVOLTAGE CATEGORY: 3  
POLLUTION DEGREE: 3, ONLY IN MATED AND LOCKED CONDITION
- PROTECTION CLASS: IP 67, ONLY IN MATED AND LOCKED CONDITION
- TEMPERATURE RANGE FIXED INSTALLATION:  
PARTS WITH CABLE PUR WSOR: -25°C / +85°C  
PARTS WITH CABLE PVC / PUR / PUR-LSOH: -25°C / +80°C
- MECHANICAL OPERATIONS: 100 CYCLES
- MATES WITH ULTRA-LOCK M12 MALE RECEPTACLES
- PACKAGING: THE CORDSETS ARE SINGLE PACKED IN PLASTIC BAGS AND DELIVERED IN CARTON BOXES
- UL CSA FILE REGISTRATION PENDING



FUNCTIONAL SYMBOLS	THIS DRAWING CONTAINS INFORMATION THAT IS PROPRIETARY TO MOLEX ELECTRONIC TECHNOLOGIES, LLC AND SHOULD NOT BE USED WITHOUT WRITTEN PERMISSION		CURRENT REV DESC: OVM-MATERIAL,BOM,NOTES,CABLE PRINTING CHANGED		
	mm	SCALE 2:1	EC NO: 725751		
DIVISIONAL SYMBOLS	GENERAL TOLERANCES (UNLESS SPECIFIED)		DRWN: RSCHIEBER 2022/10/17		CSE U12 8-12P AC FE RA XM SE UNSH BK PRODUCT CUSTOMER DRAWING
	4 PLACES	±	CHK'D: RSILLER 2022/10/27		
DRAFT WHERE APPLICABLE MUST REMAIN WITHIN DIMENSIONS	3 PLACES	±	APPR: RSILLER 2022/10/27		DOCUMENT NUMBER <b>1204000300</b>
	2 PLACES	± 0.05	INITIAL REVISION:		
	1 PLACE	± 0.3	DRWN: RSCHIEBER 2020/09/16		
		0 PLACES	± 0.5	APPR: RSILLER 2020/09/29	DOC TYPE DOC PART REVISION PSD 000 B2
		THIRD ANGLE PROJECTION		DRAWING	SERIES
				A3-SIZE	120400
		MATERIAL NUMBER		CUSTOMER	SHEET NUMBER
		SEE SHEET 2		GENERAL MARKET	1 OF 2

