

RP428

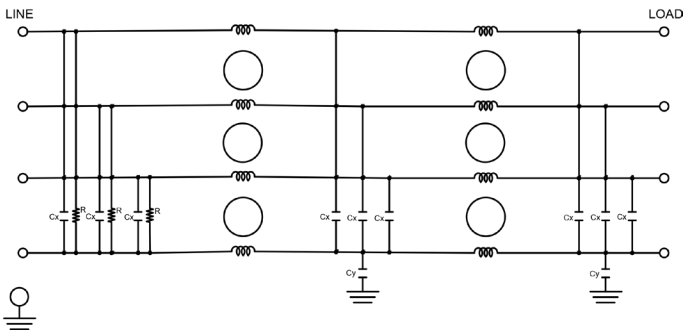
3-PHASE WYE DUAL STAGE POWER LINE FILTER

FEATURES

- » Rated currents include **8A, 16A, 25A, 36A, 64A, 80A, 120A, 160A, 200A, 300A, 400A, and 600A**
- » Dual Stage Line Filter
- » Available with **W** (wires), **S** (studs), **C** (connectors), and **B** (Bus Bars) option
- » Agency Approved by UL1283 / 60929, CSA C22.2, EN 60939
- » Y-cap value can be adjusted to fit specification

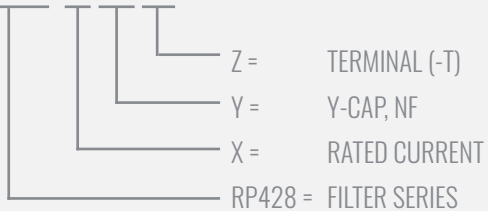


ELECTRICAL SCHEMATIC



HOW TO ORDER

RP428-X-Y-Z



NOTE: USE ANY COMBINATION OF -X (AMPS) WITH ANY -Y RATINGS
E.G. **RP428-36-10-S** (36AMPS WITH 10 NF YCAP)

For **X, Y** and **Z** options see product specification table.

SPECIFICATIONS

OPERATING FREQUENCY	50/60Hz
USABLE FREQUENCY	DC - 400 Hz
MAX. OPERATING VOLTAGE	480V +10%
AMBIENT TEMPERATURE	-25 TO 60°C
CLIMATIC CATEGORY	25/100/21
TERMINALS (-T)	WIRE LEADS
	STUDS 8-36A (M5)
	64-80A (M6)
	120-200A(M10)
	BUS BARS: 300-400A(6X25)
	600A (8X25)
	CONNECTORS

TYP. WEIGHT, LBS (KG) 4.2 - 80.0 (1.9 - 36.2)

LEAKAGE CURRENT

@ 480 VAC 60 Hz 0 - 20.0 mA Max.

HIPOT RATINGS

LINE TO GROUND 3500 VDC

TYPICAL APPLICATIONS

- ✓ DC fast chargers
- ✓ Induction charging
- ✓ Industrial chargers
- ✓ Solar energy applications

RP428

3-PHASE WYE DUAL STAGE POWER LINE FILTER

MODEL NO.	RATED CURRENT, A @ 40° C	Y-CAP, nF	LEAKAGE CURRENT mA, @ 480V AC/60 Hz	TERMINAL OPTIONS				MAX. DIMENSIONS" (MM)		
				(W) IN/ OUTPUT	(S) IN/ OUTPUT	(C) IN/ OUTPUT	(B) IN/ OUTPUT	WIDTH	(LENGTH)	HEIGHT
RP428-8-0-S	8	0	-		✓			5.63"(143)	5.57"(142)	3.15"(80)
RP428-8-0-W	8	0	-	✓				*	*	*
RP428-8-10-S	8	10	0.10		✓			5.63"(143)	5.57"(142)	3.15"(80)
RP428-8-10-W	8	10	0.10	✓				*	*	*
RP428-8-100-S	8	100	1.00		✓			5.63"(143)	5.57"(142)	3.15"(80)
RP428-8-100-W	8	100	1.00	✓				*	*	*
RP428-8-1000-S	8	1000	10.00		✓			5.63"(143)	5.57"(142)	3.15"(80)
RP428-8-1000-W	8	1000	10.00	✓				*	*	*
RP428-8-2000-S	8	2000	20.00		✓			5.63"(143)	5.57"(142)	3.15"(80)
RP428-8-2000-W	8	2000	20.00	✓				*	*	*
RP428-16-0-S	16	0	-		✓			5.63"(143)	5.57"(142)	3.15"(80)
RP428-16-0-W	16	0	-	✓				*	*	*
RP428-16-10-S	16	10	0.10		✓			5.63"(143)	5.57"(142)	3.15"(80)
RP428-16-10-W	16	10	0.10	✓				*	*	*
RP428-16-100-S	16	100	1.00		✓			5.63"(143)	5.57"(142)	3.15"(80)
RP428-16-100-W	16	100	1.00	✓				*	*	*
RP428-16-1000-S	16	1000	10.00		✓			5.63"(143)	5.57"(142)	3.15"(80)
RP428-16-1000-W	16	1000	10.00	✓				*	*	*
RP428-16-2000-S	16	2000	20.00		✓			5.63"(143)	5.57"(142)	3.15"(80)
RP428-16-2000-W	16	2000	20.00	✓				*	*	*
RP428-25-0-C	25	0	-			✓		*	*	*
RP428-25-0-S	25	0	-		✓			6.02"(153)	7.17"(182)	4.53"(115)
RP428-25-0-W	25	0	-	✓				*	*	*
RP428-25-10-C	25	10	0.10			✓		*	*	*
RP428-25-10-S	25	10	0.10		✓			6.02"(153)	7.17"(182)	4.53"(115)
RP428-25-10-W	25	10	0.10	✓				*	*	*
RP428-25-100-C	25	100	1.00			✓		*	*	*
RP428-25-100-S	25	100	1.00		✓			6.02"(153)	7.17"(182)	4.53"(115)
RP428-25-100-W	25	100	1.00	✓				*	*	*
RP428-25-1000-C	25	1000	10.00			✓		*	*	*
RP428-25-1000-S	25	1000	10.00		✓			6.02"(153)	7.17"(182)	4.53"(115)
RP428-25-1000-W	25	1000	10.00	✓				*	*	*
RP428-25-2000-C	25	2000	20.00			✓		*	*	*
RP428-25-2000-S	25	2000	20.00		✓			6.02"(153)	7.17"(182)	4.53"(115)

ADDITIONAL MODEL NO. >>

RP428

3-PHASE WYE DUAL STAGE POWER LINE FILTER

MODEL NO.	RATED CURRENT, A @ 40° C	Y-CAP, nF	LEAKAGE CURRENT mA, @ 480V AC/60 Hz	TERMINAL OPTIONS				MAX. DIMENSIONS" (MM)		
				(W) IN/ OUTPUT	(S) IN/ OUTPUT	(C) IN/ OUTPUT	(B) IN/ OUTPUT	WIDTH	(LENGTH)	HEIGHT
RP428-25-2000-W	25	2000	20.00	✓				*	*	*
RP428-36-0-C	36	0	-			✓		*	*	*
RP428-36-0-S	36	0	-		✓			6.02"(153)	7.17"(182)	4.53"(115)
RP428-36-0-W	36	0	-	✓				*	*	*
RP428-36-10-C	36	10	0.10			✓		*	*	*
RP428-36-10-S	36	10	0.10		✓			6.02"(153)	7.17"(182)	4.53"(115)
RP428-36-10-W	36	10	0.10	✓				*	*	*
RP428-36-100-C	36	100	1.00			✓		*	*	*
RP428-36-100-S	36	100	1.00		✓			6.02"(153)	7.17"(182)	4.53"(115)
RP428-36-100-W	36	100	1.00	✓				*	*	*
RP428-36-1000-C	36	1000	10.00			✓		*	*	*
RP428-36-1000-S	36	1000	10.00		✓			6.02"(153)	7.17"(182)	4.53"(115)
RP428-36-1000-W	36	1000	10.00	✓				*	*	*
RP428-36-2000-C	36	2000	20.00			✓		*	*	*
RP428-36-2000-S	36	2000	20.00		✓			6.02"(153)	7.17"(182)	4.53"(115)
RP428-36-2000-W	36	2000	20.00	✓				*	*	*
RP428-64-0-C	64	0	-			✓		*	*	*
RP428-64-0-S	64	0	-		✓			3.01"(77)	4.20"(107)	2.46"(63)
RP428-64-0-W	64	0	-	✓				*	*	*
RP428-64-10-C	64	10	0.10			✓		*	*	*
RP428-64-10-S	64	10	0.10		✓			3.01"(77)	4.20"(107)	2.46"(63)
RP428-64-10-W	64	10	0.10	✓				*	*	*
RP428-64-100-C	64	100	1.00			✓		*	*	*
RP428-64-100-S	64	100	1.00		✓			3.01"(77)	4.20"(107)	2.46"(63)
RP428-64-100-W	64	100	1.00	✓				*	*	*
RP428-64-1000-C	64	1000	10.00			✓		*	*	*
RP428-64-1000-S	64	1000	10.00		✓			3.01"(77)	4.20"(107)	2.46"(63)
RP428-64-1000-W	64	1000	10.00	✓				*	*	*
RP428-64-2000-C	64	2000	20.00			✓		*	*	*
RP428-64-2000-S	64	2000	20.00		✓			3.01"(77)	4.20"(107)	2.46"(63)
RP428-64-2000-W	64	2000	20.00	✓				*	*	*
RP428-80-0-C	80	0	-			✓		*	*	*
RP428-80-0-S	80	0	-		✓			6.42"(163)	11.42"(290)	4.92"(125)
RP428-80-0-W	80	0	-	✓				*	*	*

ADDITIONAL MODEL NO. >>

RP428

3-PHASE WYE DUAL STAGE POWER LINE FILTER

MODEL NO.	RATED CURRENT, A @ 40° C	Y-CAP, nF	LEAKAGE CURRENT mA, @ 480V AC/60 Hz	TERMINAL OPTIONS				MAX. DIMENSIONS" (MM)		
				(W) IN/ OUTPUT	(S) IN/ OUTPUT	(C) IN/ OUTPUT	(B) IN/ OUTPUT	WIDTH	(LENGTH)	HEIGHT
RP428-80-10-C	80	10	0.10			✓		*	*	*
RP428-80-10-S	80	10	0.10		✓			6.42"(163)	11.42"(290)	4.92"(125)
RP428-80-10-W	80	10	0.10	✓				*	*	*
RP428-80-100-C	80	100	1.00			✓		*	*	*
RP428-80-100-S	80	100	1.00		✓			6.42"(163)	11.42"(290)	4.92"(125)
RP428-80-100-W	80	100	1.00	✓				*	*	*
RP428-80-1000-C	80	1000	10.00			✓		*	*	*
RP428-80-1000-S	80	1000	10.00		✓			6.42"(163)	11.42"(290)	4.92"(125)
RP428-80-1000-W	80	1000	10.00	✓				*	*	*
RP428-80-2000-C	80	2000	20.00			✓		*	*	*
RP428-80-2000-S	80	2000	20.00		✓			6.42"(163)	11.42"(290)	4.92"(125)
RP428-80-2000-W	80	2000	20.00	✓				*	*	*
RP428-120-0-C	120	0	-			✓		*	*	*
RP428-120-0-S	120	0	-		✓			6.69"(170)	12.83"(326)	5.51"(140)
RP428-120-0-W	120	0	-	✓				*	*	*
RP428-120-10-C	120	10	0.10			✓		*	*	*
RP428-120-10-S	120	10	0.10		✓			6.69"(170)	12.83"(326)	5.51"(140)
RP428-120-10-W	120	10	0.10	✓				*	*	*
RP428-120-100-C	120	100	1.00			✓		*	*	*
RP428-120-100-S	120	100	1.00		✓			6.69"(170)	12.83"(326)	5.51"(140)
RP428-120-100-W	120	100	1.00	✓				*	*	*
RP428-120-1000-C	120	1000	10.00			✓		*	*	*
RP428-120-1000-S	120	1000	10.00		✓			6.69"(170)	12.83"(326)	5.51"(140)
RP428-120-1000-W	120	1000	10.00	✓				*	*	*
RP428-120-2000-C	120	2000	20.00			✓		*	*	*
RP428-120-2000-S	120	2000	20.00		✓			6.69"(170)	12.83"(326)	5.51"(140)
RP428-120-2000-W	120	2000	20.00	✓				*	*	*
RP428-160-0-C	160	0	-			✓		*	*	*
RP428-160-0-S	160	0	-		✓			6.70"(170)	13.98"(355)	6.70"(170)
RP428-160-0-W	160	0	-	✓				*	*	*
RP428-160-10-C	160	10	0.10			✓		*	*	*
RP428-160-10-S	160	10	0.10		✓			6.70"(170)	13.98"(355)	6.70"(170)
RP428-160-10-W	160	10	0.10	✓				*	*	*
RP428-160-100-C	160	100	1.00			✓		6.72"	13.98"	6.72"

ADDITIONAL MODEL NO. >>

RP428

3-PHASE WYE DUAL STAGE POWER LINE FILTER

MODEL NO.	RATED CURRENT, A @ 40° C	Y-CAP, nF	LEAKAGE CURRENT mA, @ 480V AC/60 Hz	TERMINAL OPTIONS				MAX. DIMENSIONS" (MM)		
				(W) IN/ OUTPUT	(S) IN/ OUTPUT	(C) IN/ OUTPUT	(B) IN/ OUTPUT	WIDTH	(LENGTH)	HEIGHT
RP428-160-100-S	160	100	1.00		✓			6.72"	13.98"	6.72"
RP428-160-100-W	160	100	1.00	✓				6.72"	13.98"	6.72"
RP428-160-1000-C	160	1000	10.00			✓		*	*	*
RP428-160-1000-S	160	1000	10.00		✓			6.70"(170)	13.98"(355)	6.70"(170)
RP428-160-1000-W	160	1000	10.00	✓				*	*	*
RP428-160-2000-C	160	2000	20.00			✓		*	*	*
RP428-160-2000-S	160	2000	20.00		✓			6.70"(170)	13.98"(355)	6.70"(170)
RP428-160-2000-W	160	2000	20.00	✓				*	*	*
RP428-200-0-C	200	0	-			✓		*	*	*
RP428-200-0-S	200	0	-		✓			6.70"(170)	13.98"(355)	6.70"(170)
RP428-200-0-W	200	0	-	✓				*	*	*
RP428-200-10-C	200	10	0.10			✓		*	*	*
RP428-200-10-S	200	10	0.10		✓			6.70"(170)	13.98"(355)	6.70"(170)
RP428-200-10-W	200	10	0.10	✓				*	*	*
RP428-200-100-C	200	100	1.00			✓		*	*	*
RP428-200-100-S	200	100	1.00		✓			6.70"(170)	13.98"(355)	6.70"(170)
RP428-200-100-W	200	100	1.00	✓				*	*	*
RP428-200-1000-C	200	1000	10.00			✓		*	*	*
RP428-200-1000-S	200	1000	10.00		✓			6.70"(170)	13.98"(355)	6.70"(170)
RP428-200-1000-W	200	1000	10.00	✓				*	*	*
RP428-200-2000-C	200	2000	20.00			✓		*	*	*
RP428-200-2000-S	200	2000	20.00		✓			6.70"(170)	13.98"(355)	6.70"(170)
RP428-200-2000-W	200	2000	20.00	✓				*	*	*
RP428-300-0-B	300	0	-				✓	8.66"(220)	17.36"(441)	5.91"(150)
RP428-300-10-B	300	10	0.10				✓	8.66"(220)	17.36"(441)	5.91"(150)
RP428-300-100-B	300	100	1.00				✓	8.66"(220)	17.36"(441)	5.91"(150)
RP428-300-1000-B	300	1000	10.00				✓	8.66"(220)	17.36"(441)	5.91"(150)
RP428-300-2000-B	300	2000	20.00				✓	8.66"(220)	17.36"(441)	5.91"(150)
RP428-400-0-B	400	0	-				✓	8.66"(220)	17.36"(441)	5.91"(150)
RP428-400-10-B	400	10	0.10				✓	8.66"(220)	17.36"(441)	5.91"(150)
RP428-400-100-B	400	100	1.00				✓	8.66"(220)	17.36"(441)	5.91"(150)
RP428-400-1000-B	400	1000	10.00				✓	8.66"(220)	17.36"(441)	5.91"(150)
RP428-400-2000-B	400	2000	20.00				✓	8.66"(220)	17.36"(441)	5.91"(150)
RP428-600-0-B	600	0	-				✓	8.66"(220)	17.36"(441)	5.91"(150)

ADDITIONAL MODEL NO. >>

RP428

3-PHASE WYE DUAL STAGE POWER LINE FILTER

MODEL NO.	RATED CURRENT, A @ 40° C	Y-CAP, nF	LEAKAGE CURRENT mA, @ 480V AC/60 Hz	TERMINAL OPTIONS				MAX. DIMENSIONS" (MM)		
				(W) IN/ OUTPUT	(S) IN/ OUTPUT	(C) IN/ OUTPUT	(B) IN/ OUTPUT	WIDTH	(LENGTH)	HEIGHT
RP428-600-10-B	600	10	0.10				✓	8.66"(220)	17.36"(441)	5.91"(150)
RP428-600-100-B	600	100	1.00				✓	8.66"(220)	17.36"(441)	5.91"(150)
RP428-600-1000-B	600	1000	10.00				✓	8.66"(220)	17.36"(441)	5.91"(150)
RP428-600-2000-B	600	2000	20.00				✓	8.66"(220)	17.36"(441)	5.91"(150)

*Contact factory for dimensions.

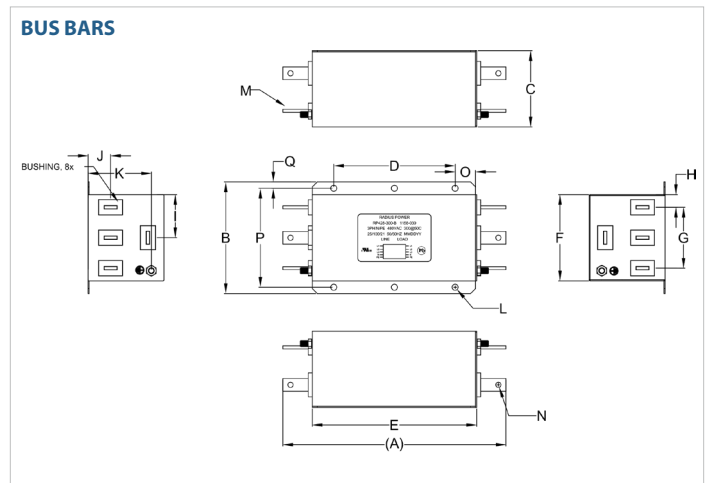
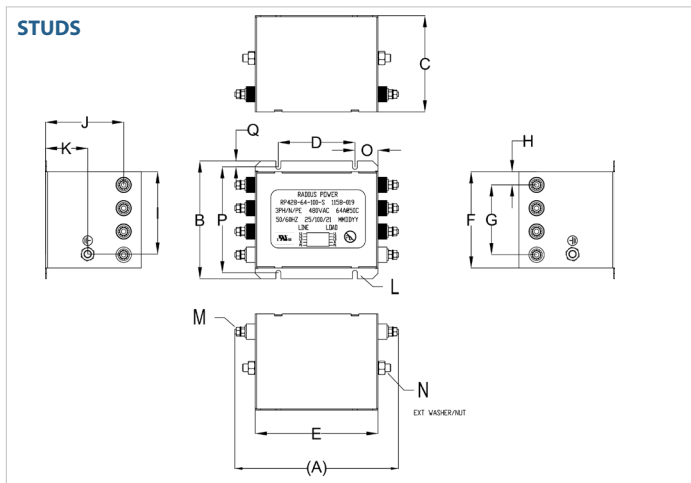
TYPICAL INSERTION LOSS, dB (50/50 Ohm)

Amps	Freq (MHz)	0.15	0.5	1.0	10	30
8	CM (dB)	65	75	75	45	30
	DM (dB)	52	65	60	55	50
16	CM (dB)	65	75	75	45	30
	DM (dB)	52	65	60	55	50
25	CM (dB)	65	75	70	42	30
	DM (dB)	60	70	65	58	50
36	CM (dB)	65	75	70	42	30
	DM (dB)	60	70	65	58	50
64	CM (dB)	55	64	60	45	25
	DM (dB)	65	75	60	50	42
80	CM (dB)	64	60	45	25	40
	DM (dB)	65	75	60	50	42
120	CM (dB)	55	64	60	45	25
	DM (dB)	65	75	60	50	42
160	CM (dB)	60	65	55	35	20
	DM (dB)	65	55	60	30	30
200	CM (dB)	60	65	55	35	20
	DM (dB)	65	55	60	30	30
300	CM (dB)	65	62	60	30	20
	DM (dB)	60	42	40	25	20
400	CM (dB)	65	62	60	30	20
	DM (dB)	60	42	40	25	20
600	CM (dB)	65	62	60	30	20
	DM (dB)	60	42	40	25	20

RP428

3-PHASE WYE DUAL STAGE POWER LINE FILTER

RP428 MECHANICAL OUTLINES (MM)



SERIES	(A)	B	C	D	E	F	G	H	I	J	K	L	M	N	O	P	Q
STUDS (8/16A)	5.57" (142)	5.63" (143)	3.15" (80)	3.15" (80)	4.72" (120)	4.53" (115)	3.31" (84)	0.61" (16)	4.06" (103)	2.24" (57)	1.30" (33)	Ø 0.43x0.25", 4x (Ø 11.0x6.5, 4x)	STUD, M5, 8x	STUD, GND, M6, 2x	0.79" (20)	5.02" (128)	0.31" (8)
STUDS (26/36A)	7.17" (182)	6.02" (153)	4.53" (115)	4.92" (125)	5.12" (130)	3.54" (90)	3.54" (90)	0.69" (18)	4.45" (113)	3.62" (92)	1.97" (50)	Ø 0.25x0.29", 4x (Ø, 6.50x7.50, 4x)	STUD, M5, 8x	STUD, GND, M6, 2x	N/A	N/A	N/A
STUDS (64A)	4.20" (107)	3.01" (77)	2.46" (63)	1.97" (50)	3.15" (80)	2.46" (63)	1.86" (47)	0.34" (9)	2.11" (54)	2.01" (51)	1.09" (28)	Ø 0.43x0.25", 4x (Ø 11.0x6.5, 4x)	STUD, M6, 8x	STUD, GND, M10, 2x	0.59" (15)	2.71" (69)	0.15" (4)
STUDS (80A)	11.42" (290)	6.42" (163)	4.92" (125)	4.72" (120)	9.06" (230)	5.31" (135)	3.72" (95)	0.90" (23)	4.61" (117)	4.02" (102)	1.77" (45)	Ø 0.43x0.25", 4x (Ø 6.5x11.0, 4x)	STUD M6 8x	STUD GND M10, 2x	2.17" (55)	5.81" (148)	0.31" (8)
STUDS (120A)	12.83" (326)	6.69" (170)	5.51" (140)	7.87" (200)	9.84" (250)	5.51" (140)	3.72" (95)	0.90" (23)	4.82" (123)	3.94" (100)	2.17" (55)	Ø 0.45x0.25", 4x (Ø 11.5x6.5, 4x)	STUD, M10, 8x	STUD, GND, M10, 2x	0.98" (25)	6.04" (154)	0.32" (8)
STUDS (160/200A)	13.98" (355)	6.70" (170)	6.70" (170)	9.06" (230)	11.00" (280)	5.50" (140)	3.75" (95)	N/A	N/A	5.12" (130)	2.17" (55)	Ø 0.45x0.25", 4x (Ø 11.5x6.5, 4x)	STUD, M10, 8x	STUD, GND, M10, 2x	1.00" (25)	6.05" (154)	0.32" (8)
BUS BARS (300/400/600A)	17.36" (441)	8.66" (220)	5.91" (150)	9.45" (240)	12.80" (325)	6.69" (170)	4.72" (120)	0.98" (25)	3.34" (85)	1.75" (44)	4.92" (125)	Ø 0.47", 6x (Ø 12.0, 6x)	BUSBAR, 6x25, 4x	Ø10.5, 8x	1.59" (41)	7.68" (195)	0.49" (13)

TYPICAL TOLERANCE: +/-0.02" (0.50MM)