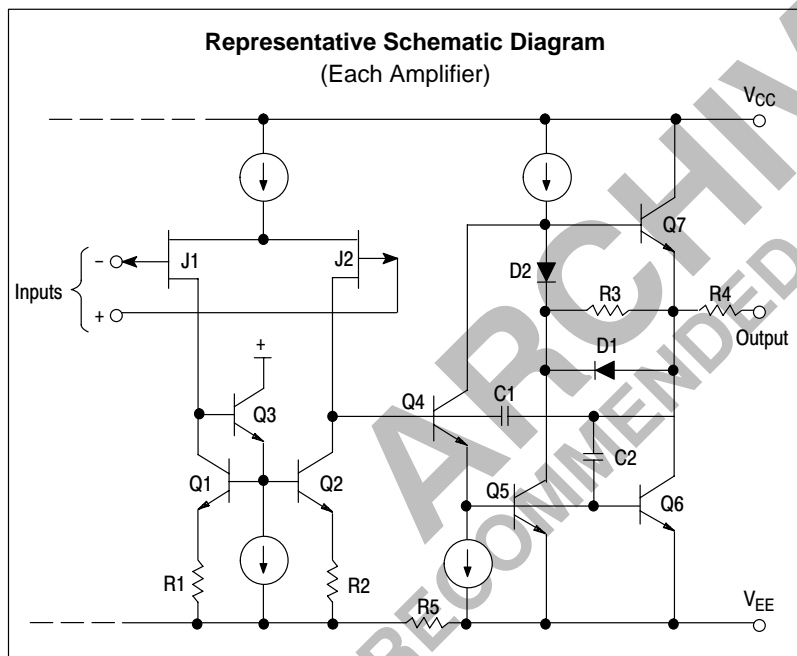


# Low Power JFET Input Operational Amplifiers

These JFET input operational amplifiers are designed for low power applications. They feature high input impedance, low input bias current and low input offset current. Advanced design techniques allow for higher slew rates, gain bandwidth products and output swing.

The commercial and vehicular devices are available in Plastic dual in-line and SOIC packages.

- Low Supply Current: 200  $\mu$ A/Amplifier
- Low Input Bias Current: 5.0 pA
- High Gain Bandwidth: 2.0 MHz
- High Slew Rate: 6.0 V/ $\mu$ s
- High Input Impedance:  $10^{12} \Omega$
- Large Output Voltage Swing:  $\pm 14$  V
- Output Short Circuit Protection



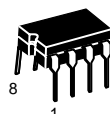
### ORDERING INFORMATION

Op Amp Function	Device	Operating Temperature Range	Package
Dual	TL062CD, ACD TL062CP, ACP	$T_A = 0^\circ$ to $+70^\circ\text{C}$	SO-8 Plastic DIP
	TL062VD TL062VP	$T_A = -40^\circ$ to $+85^\circ\text{C}$	SO-8 Plastic DIP
Quad	TL064CD, ACD TL064CN, ACN	$T_A = 0^\circ$ to $+70^\circ\text{C}$	SO-14 Plastic DIP
	TL064VD TL064VN	$T_A = -40^\circ$ to $+85^\circ\text{C}$	SO-14 Plastic DIP

# TL062 TL064

## LOW POWER JFET INPUT OPERATIONAL AMPLIFIERS

### SEMICONDUCTOR TECHNICAL DATA



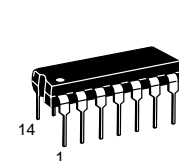
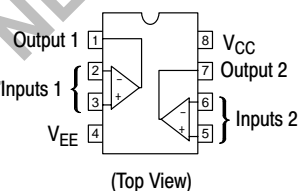
DUAL

**P SUFFIX**  
PLASTIC PACKAGE  
CASE 626



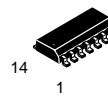
**D SUFFIX**  
PLASTIC PACKAGE  
CASE 751  
(SO-8)

### PIN CONNECTIONS



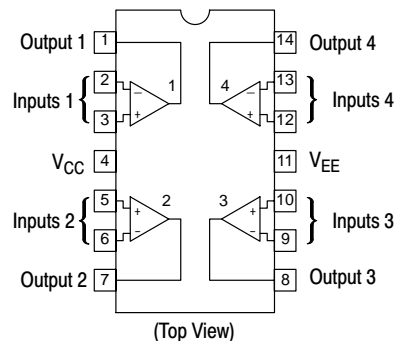
QUAD

**N SUFFIX**  
PLASTIC PACKAGE  
CASE 646



**D SUFFIX**  
PLASTIC PACKAGE  
CASE 751A  
(SO-14)

### PIN CONNECTIONS



# TL062 TL064

## MAXIMUM RATINGS

Rating	Symbol	Value	Unit
Supply Voltage (from $V_{CC}$ to $V_{EE}$ )	$V_S$	+36	V
Input Differential Voltage Range (Note 1)	$V_{IDR}$	$\pm 30$	V
Input Voltage Range (Notes 1 and 2)	$V_{IR}$	$\pm 15$	V
Output Short Circuit Duration (Note 3)	$t_{SC}$	Indefinite	sec
Operating Junction Temperature	$T_J$	+150	$^{\circ}\text{C}$
Storage Temperature Range	$T_{stg}$	-60 to +150	$^{\circ}\text{C}$

- NOTES:** 1. Differential voltages are at the noninverting input terminal with respect to the inverting input terminal.  
 2. The magnitude of the input voltage must never exceed the magnitude of the supply or 15 V, whichever is less.  
 3. Power dissipation must be considered to ensure maximum junction temperature ( $T_J$ ) is not exceeded. (See Figure 1.)

## ELECTRICAL CHARACTERISTICS ( $V_{CC} = +15\text{ V}$ , $V_{EE} = -15\text{ V}$ , $T_A = 0^{\circ}$ to $+70^{\circ}\text{C}$ , unless otherwise noted.)

Characteristics	Symbol	TL062AC TL064AC			TL062C TL064C			Unit
		Min	Typ	Max	Min	Typ	Max	
Input Offset Voltage ( $R_S = 50\ \Omega$ , $V_O = 0\text{ V}$ ) $T_A = 25^{\circ}\text{C}$ $T_A = 0^{\circ}$ to $+70^{\circ}\text{C}$	$V_{IO}$	—	3.0	6.0	—	3.0	15	mV
		—	—	7.5	—	—	20	
Average Temperature Coefficient for Offset Voltage ( $R_S = 50\ \Omega$ , $V_O = 0\text{ V}$ )	$\Delta V_{IO}/\Delta T$	—	10	—	—	10	—	$\mu\text{V}/^{\circ}\text{C}$
Input Offset Current ( $V_{CM} = 0\text{ V}$ , $V_O = 0\text{ V}$ ) $T_A = 25^{\circ}\text{C}$ $T_A = 0^{\circ}$ to $+70^{\circ}\text{C}$	$I_{IO}$	—	0.5	100	—	0.5	200	pA
		—	—	2.0	—	—	2.0	nA
Input Bias Current ( $V_{CM} = 0\text{ V}$ , $V_O = 0\text{ V}$ ) $T_A = 25^{\circ}\text{C}$ $T_A = 0^{\circ}$ to $+70^{\circ}\text{C}$	$I_{IB}$	—	3.0	200	—	3.0	200	pA
		—	—	2.0	—	—	10	nA
Input Common Mode Voltage Range $T_A = 25^{\circ}\text{C}$	$V_{ICR}$	—	+14.5	+11.5	—	+14.5	+11	V
		-11.5	-12.0	—	-11	-12.0	—	
Large Signal Voltage Gain ( $R_L = 10\text{ k}\Omega$ , $V_O = \pm 10\text{ V}$ ) $T_A = 25^{\circ}\text{C}$ $T_A = 0^{\circ}$ to $+70^{\circ}\text{C}$	$A_{VOL}$	4.0	58	—	3.0	58	—	V/mV
		4.0	—	—	3.0	—	—	
Output Voltage Swing ( $R_L = 10\text{ k}\Omega$ , $V_{ID} = 1.0\text{ V}$ ) $T_A = 25^{\circ}\text{C}$	$V_{O+}$ $V_{O-}$	+10 —	+14 -14	— -10	+10 —	+14 -14	— -10	V
$T_A = 0^{\circ}$ to $+70^{\circ}\text{C}$	$V_{O+}$ $V_{O-}$	+10 —	— —	— -10	+10 —	— —	— -10	
Common Mode Rejection ( $R_S = 50\ \Omega$ , $V_{CM} = V_{ICR\ min}$ , $V_O = 0\text{ V}$ , $T_A = 25^{\circ}\text{C}$ )	CMR	80	84	—	70	84	—	dB
Power Supply Rejection ( $R_S = 50\ \Omega$ , $V_{CM} = 0\text{ V}$ , $V_O = 0$ , $T_A = 25^{\circ}\text{C}$ )	PSR	80	86	—	70	86	—	dB
Power Supply Current (each amplifier) (No Load, $V_O = 0\text{ V}$ , $T_A = 25^{\circ}\text{C}$ )	$I_D$	—	200	250	—	200	250	$\mu\text{A}$
Total Power Dissipation (each amplifier) (No Load, $V_O = 0\text{ V}$ , $T_A = 25^{\circ}\text{C}$ )	$P_D$	—	6.0	7.5	—	6.0	7.5	mW

# TL062 TL064

## DC ELECTRICAL CHARACTERISTICS ( $V_{CC} = +15\text{ V}$ , $V_{EE} = -15\text{ V}$ , $T_A = T_{low}$ to $T_{high}$ [Note 4], unless otherwise noted.)

Characteristics	Symbol	TL062V			TL064V			Unit
		Min	Typ	Max	Min	Typ	Max	
Input Offset Voltage ( $R_S = 50\ \Omega$ , $V_O = 0\text{ V}$ ) $T_A = 25^\circ\text{C}$ $T_A = T_{low}$ to $T_{high}$	$V_{IO}$	— —	3.0 —	6.0 9.0	— —	3.0 —	9.0 15	mV
Average Temperature Coefficient for Offset Voltage ( $R_S = 50\ \Omega$ , $V_O = 0\text{ V}$ )	$\Delta V_{IO}/\Delta T$	—	10	—	—	10	—	$\mu\text{V}/^\circ\text{C}$
Input Offset Current ( $V_{CM} = 0\text{ V}$ , $V_O = 0\text{ V}$ ) $T_A = 25^\circ\text{C}$ $T_A = T_{low}$ to $T_{high}$	$I_{IO}$	— —	5.0 —	100 20	— —	5.0 —	100 20	pA nA
Input Bias Current ( $V_{CM} = 0\text{ V}$ , $V_O = 0\text{ V}$ ) $T_A = 25^\circ\text{C}$ $T_A = T_{low}$ to $T_{high}$	$I_{IB}$	— —	30 —	200 50	— —	30 —	200 50	pA nA
Input Common Mode Voltage Range ( $T_A = 25^\circ\text{C}$ )	$V_{ICR}$	— -11.5	+14.5 -12.0	+11.5 —	— -11.5	+14.5 -12.0	+11.5 —	V
Large Signal Voltage Gain ( $R_L = 10\text{ k}\Omega$ , $V_O = \pm 10\text{ V}$ ) $T_A = 25^\circ\text{C}$ $T_A = T_{low}$ to $T_{high}$	$A_{VOL}$	4.0 4.0	58 —	— —	4.0 4.0	58 —	— —	V/mV
Output Voltage Swing ( $R_L = 10\text{ k}\Omega$ , $V_{ID} = 1.0\text{ V}$ ) $T_A = 25^\circ\text{C}$ $T_A = T_{low}$ to $T_{high}$	$V_{O+}$ $V_{O-}$ $V_{O+}$ $V_{O-}$	+10 — +10 —	+14 -14 — —	— -10 — -10	+10 — +10 —	+14 -14 — —	— -10 — -10	V
Common Mode Rejection ( $R_S = 50\ \Omega$ , $V_{CM} = V_{ICR\ min}$ , $V_O = 0$ , $T_A = 25^\circ\text{C}$ )	CMR	80	84	—	80	84	—	dB
Power Supply Rejection ( $R_S = 50\ \Omega$ , $V_{CM} = 0\text{ V}$ , $V_O = 0$ , $T_A = 25^\circ\text{C}$ )	PSR	80	86	—	80	86	—	dB
Power Supply Current (each amplifier) (No Load, $V_O = 0\text{ V}$ , $T_A = 25^\circ\text{C}$ )	$I_D$	—	200	250	—	200	250	$\mu\text{A}$
Total Power Dissipation (each amplifier) (No Load, $V_O = 0\text{ V}$ , $T_A = 25^\circ\text{C}$ )	$P_D$	—	6.0	7.5	—	6.0	7.5	mW

NOTE: 4.  $T_{low} = -40^\circ\text{C}$        $T_{high} = +85^\circ\text{C}$  for TL062,4V

## AC ELECTRICAL CHARACTERISTICS ( $V_{CC} = +15\text{ V}$ , $V_{EE} = -15\text{ V}$ , $T_A = +25^\circ\text{C}$ , unless otherwise noted.)

Characteristics	Symbol	Min	Typ	Max	Unit
Slew Rate ( $V_{in} = -10\text{ V}$ to $+10\text{ V}$ , $R_L = 10\text{ k}\Omega$ , $C_L = 100\text{ pF}$ , $A_V = +1.0$ )	SR	2.0	6.0	—	V/ $\mu\text{s}$
Rise Time ( $V_{in} = 20\text{ mV}$ , $R_L = 10\text{ k}\Omega$ , $C_L = 100\text{ pF}$ , $A_V = +1.0$ )	$t_r$	—	0.1	—	$\mu\text{s}$
Overshoot ( $V_{in} = 20\text{ mV}$ , $R_L = 10\text{ k}\Omega$ , $C_L = 100\text{ pF}$ , $A_V = +1.0$ )	OS	—	10	—	%
Settling Time ( $V_{CC} = +15\text{ V}$ , $V_{EE} = -15\text{ V}$ , $A_V = -1.0$ , $R_L = 10\text{ k}\Omega$ , $V_O = 0\text{ V}$ to $+10\text{ V}$ step)	$t_s$	— —	1.6 2.2	— —	$\mu\text{s}$
To within 10 mV					
To within 1.0 mV					
Gain Bandwidth Product ( $f = 200\text{ kHz}$ )	GBW	—	2.0	—	MHz
Equivalent Input Noise ( $R_S = 100\ \Omega$ , $f = 1.0\text{ kHz}$ )	$e_n$	—	47	—	nV/ $\sqrt{\text{Hz}}$
Input Resistance	$R_i$	—	$10^{12}$	—	$\Omega$
Channel Separation ( $f = 10\text{ kHz}$ )	CS	—	120	—	dB

Figure 1. Maximum Power Dissipation versus Temperature for Package Variations

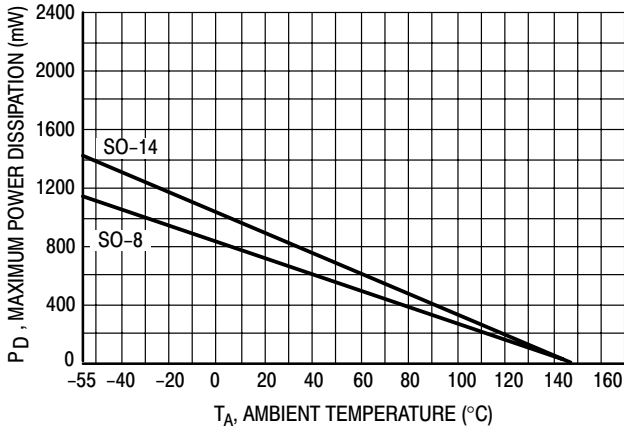


Figure 2. Output Voltage Swing versus Supply Voltage

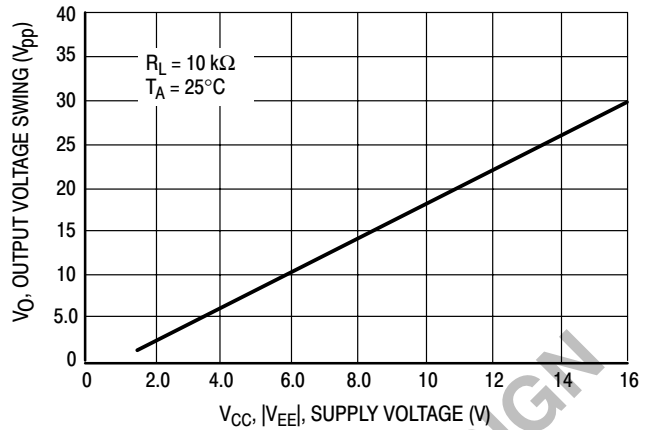


Figure 3. Output Voltage Swing versus Temperature

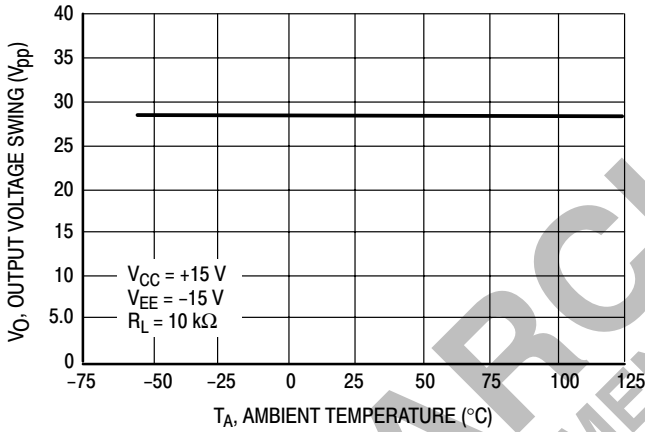


Figure 4. Output Voltage Swing versus Load Resistance

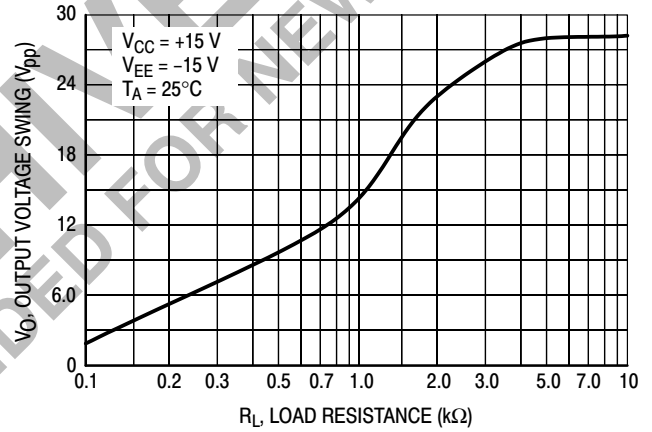


Figure 5. Output Voltage Swing versus Frequency

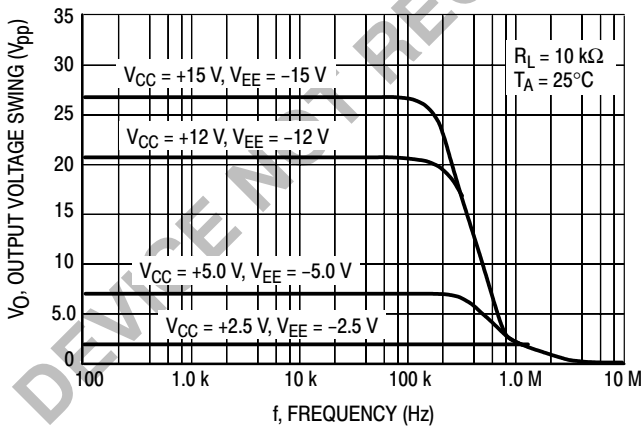


Figure 6. Large Signal Voltage Gain versus Temperature

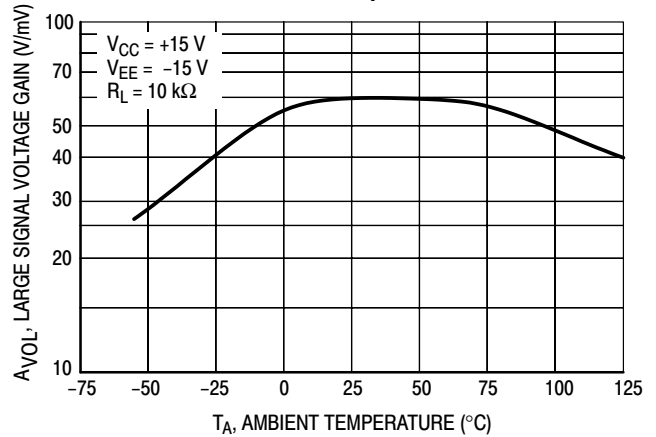


Figure 7. Open Loop Voltage Gain and Phase versus Frequency

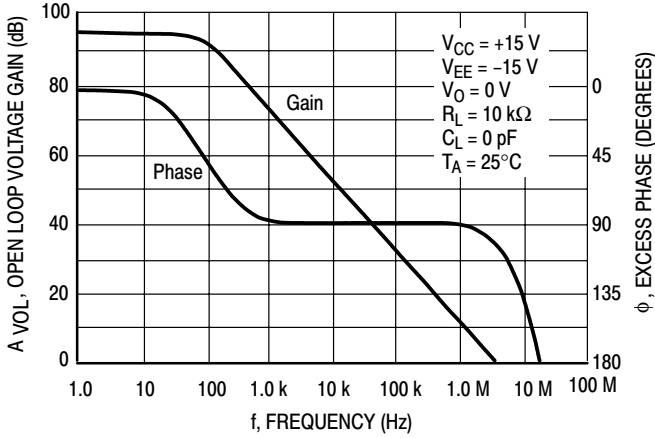


Figure 8. Supply Current per Amplifier versus Supply Voltage

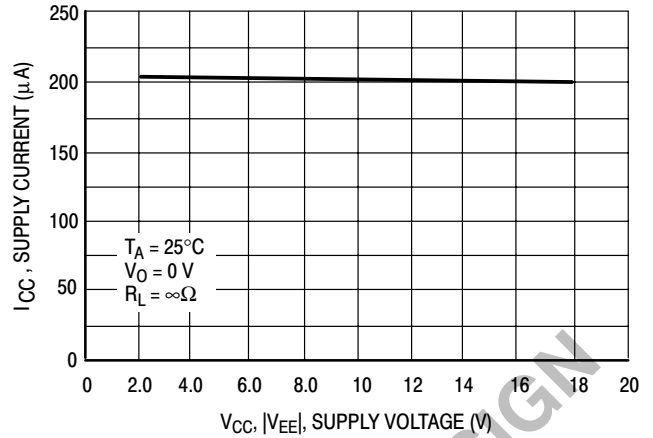


Figure 9. Supply Current per Amplifier versus Temperature

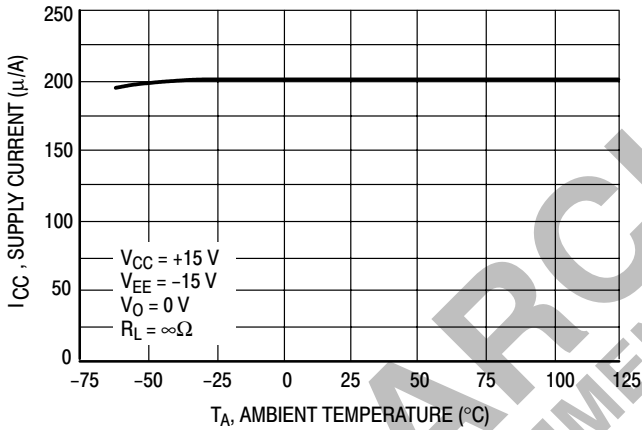


Figure 10. Total Power Dissipation versus Temperature

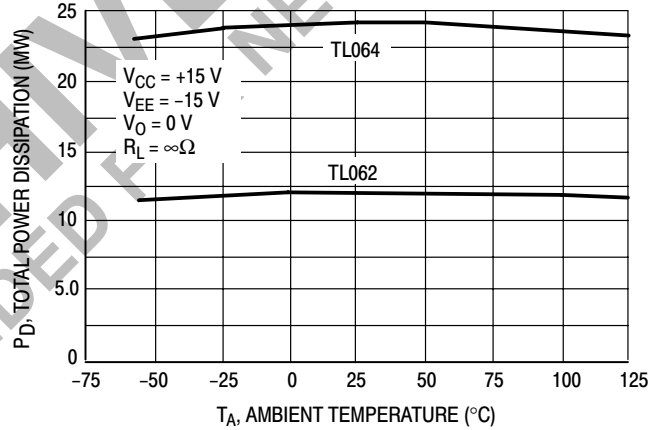


Figure 11. Common Mode Rejection versus Temperature

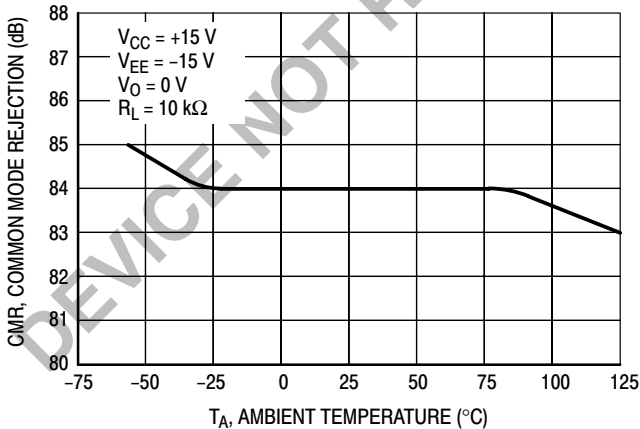


Figure 12. Common Mode Rejection versus Frequency

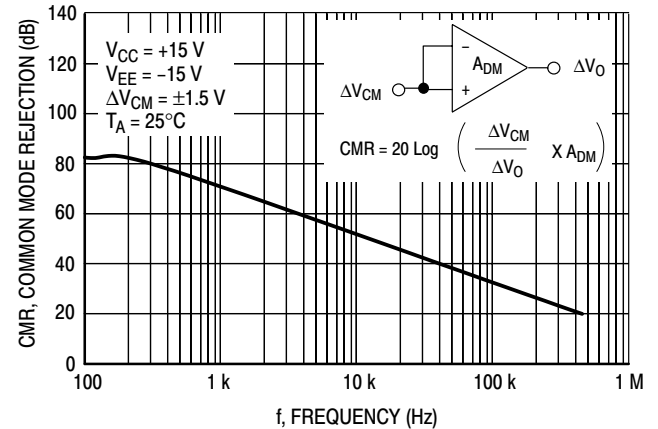


Figure 13. Power Supply Rejection versus Frequency

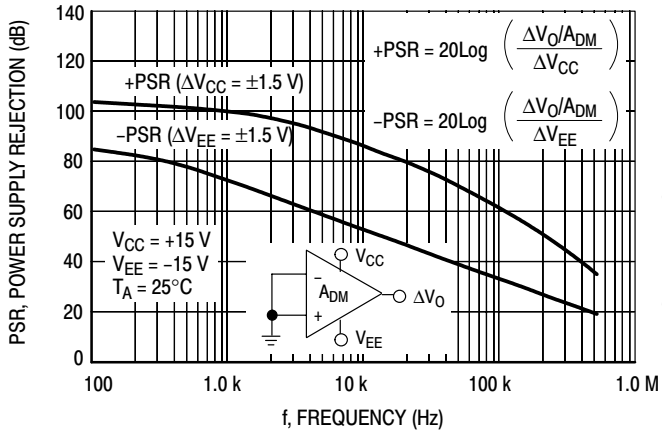


Figure 14. Normalized Gain Bandwidth Product, Slew Rate and Phase Margin versus Temperature

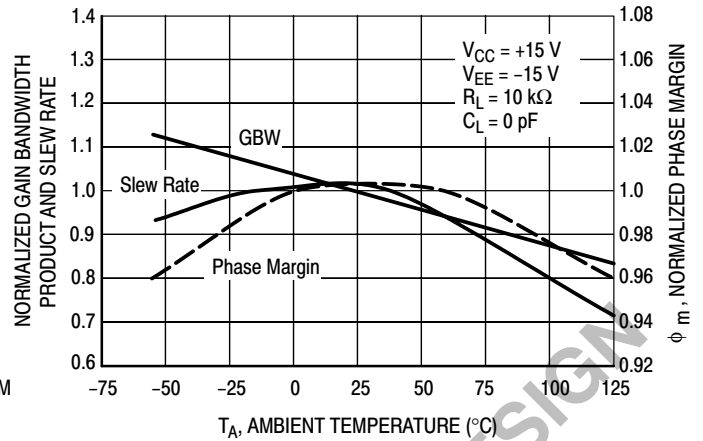


Figure 15. Input Bias Current versus Temperature

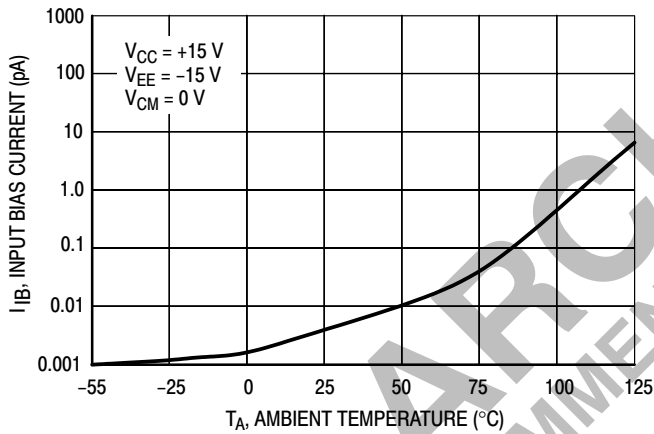


Figure 16. Input Noise Voltage versus Frequency

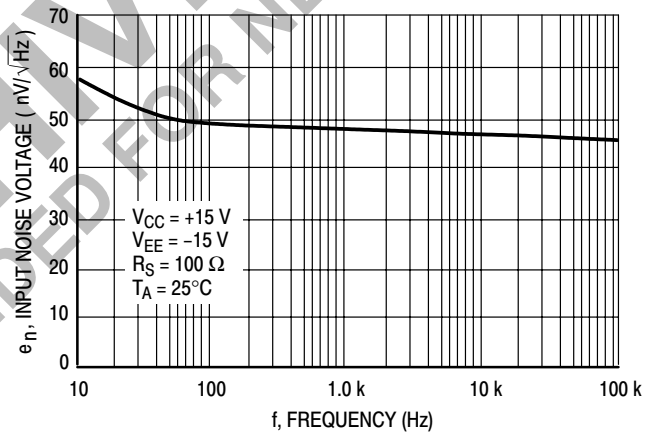


Figure 17. Small Signal Response

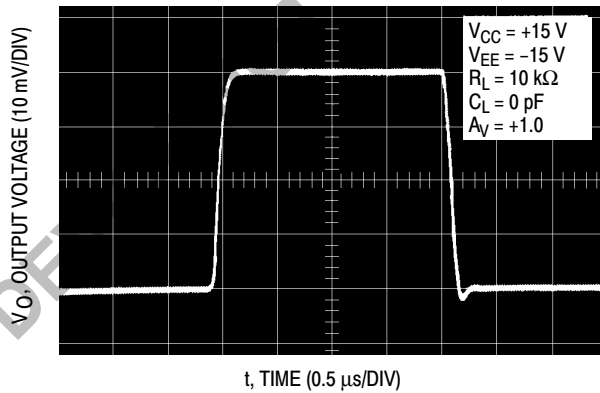
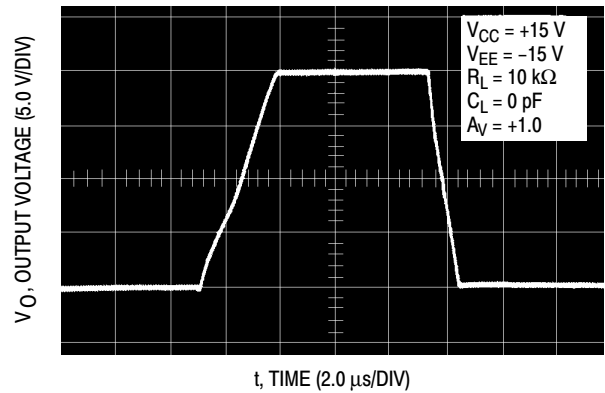


Figure 18. Large Signal Response



# TL062 TL064

Figure 19. AC Amplifier

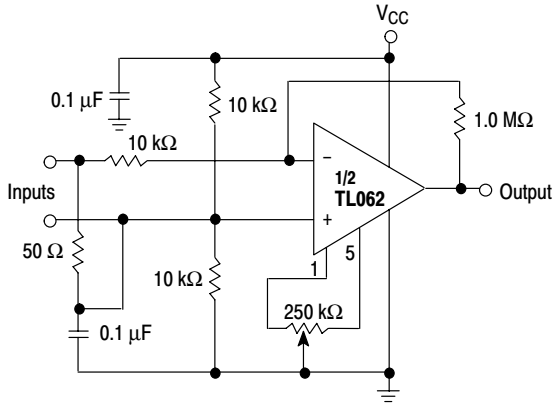


Figure 20. High-Q Notch Filter

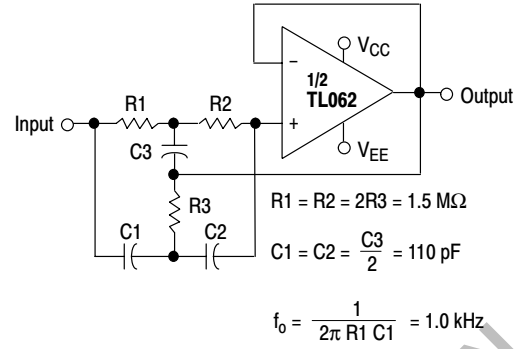


Figure 21. Instrumentation Amplifier

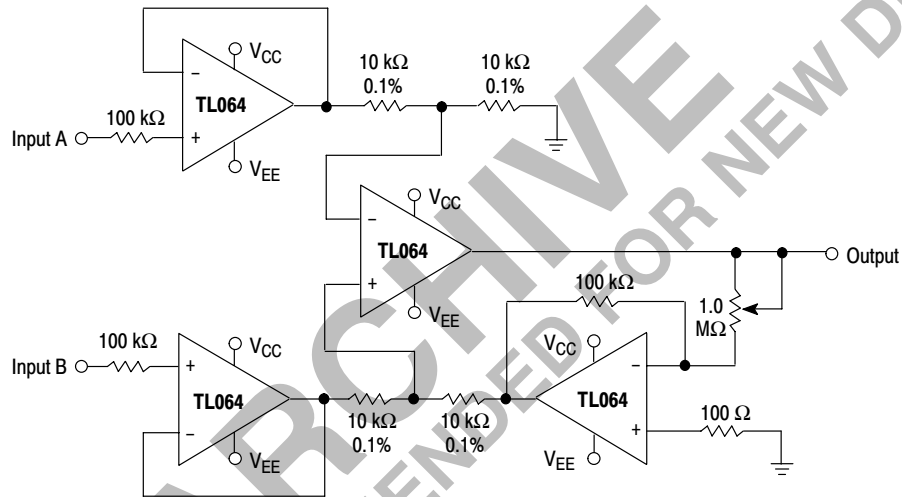


Figure 22. 0.5 Hz Square-Wave Oscillator

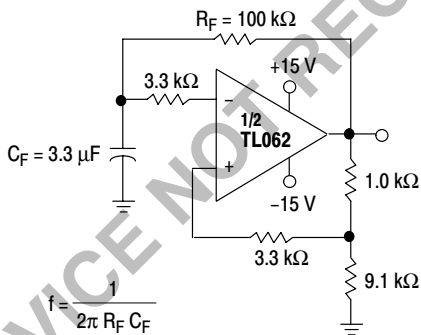
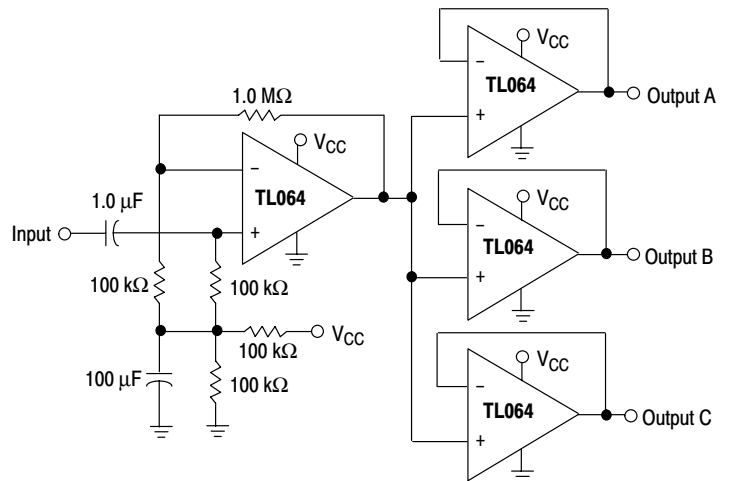


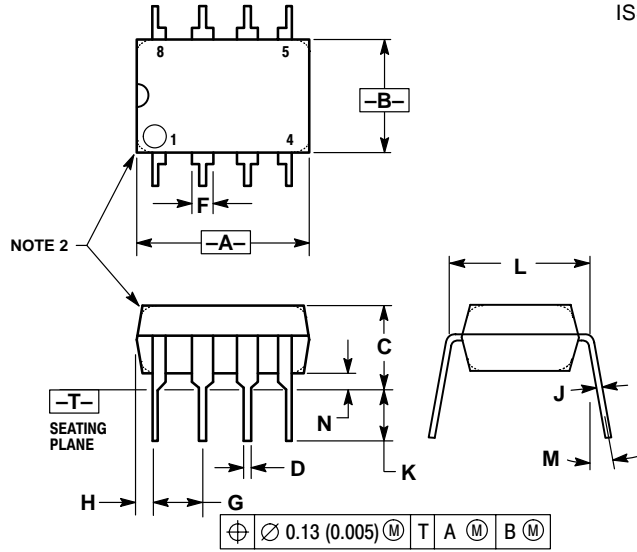
Figure 23. Audio Distribution Amplifier



# TL062 TL064

## OUTLINE DIMENSIONS

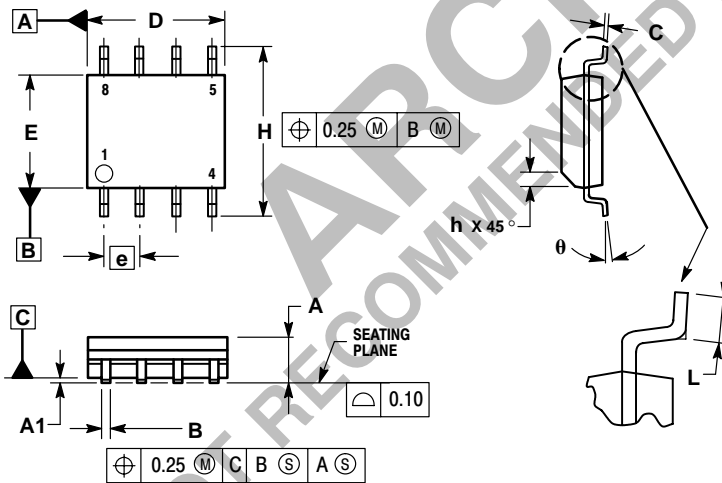
### P SUFFIX PLASTIC PACKAGE CASE 626-05 ISSUE K



- NOTES:
1. DIMENSION L TO CENTER OF LEAD WHEN FORMED PARALLEL.
  2. PACKAGE CONTOUR OPTIONAL (ROUND OR SQUARE CORNERS).
  3. DIMENSIONING AND TOLERANCING PER ANSI Y14.5M, 1982.

DIM	MILLIMETERS		INCHES	
	MIN	MAX	MIN	MAX
A	9.40	10.16	0.370	0.400
B	6.10	6.60	0.240	0.260
C	3.94	4.45	0.155	0.175
D	0.38	0.51	0.015	0.020
F	1.02	1.78	0.040	0.070
G	2.54 BSC		0.100 BSC	
H	0.76	1.27	0.030	0.050
J	0.20	0.30	0.008	0.012
K	2.92	3.43	0.115	0.135
L	7.62 BSC		0.300 BSC	
M	---	10°	---	10°
N	0.76	1.01	0.030	0.040

### D SUFFIX PLASTIC PACKAGE CASE 751-05 (SO-8) ISSUE R



- NOTES:
1. DIMENSIONING AND TOLERANCING PER ASME Y14.5M, 1994.
  2. DIMENSIONS ARE IN MILLIMETERS.
  3. DIMENSION D AND E DO NOT INCLUDE MOLD PROTRUSION.
  4. MAXIMUM MOLD PROTRUSION 0.15 PER SIDE.
  5. DIMENSION B DOES NOT INCLUDE MOLD PROTRUSION. ALLOWABLE DAMBAR PROTRUSION SHALL BE 0.127 TOTAL IN EXCESS OF THE B DIMENSION AT MAXIMUM MATERIAL CONDITION.

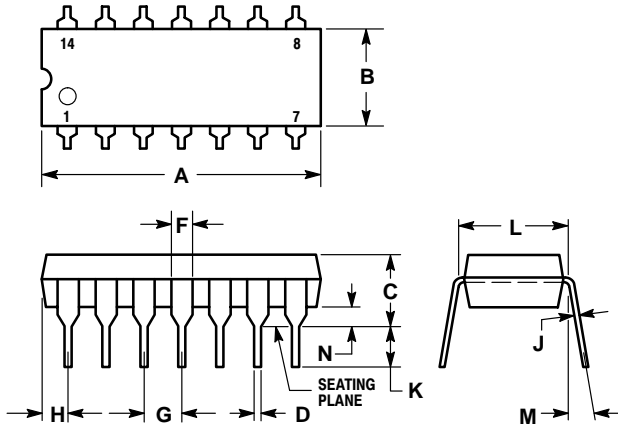
DIM	MILLIMETERS	
	MIN	MAX
A	1.35	1.75
A1	0.10	0.25
B	0.35	0.49
C	0.18	0.25
D	4.80	5.00
E	3.80	4.00
e	1.27 BSC	
H	5.80	6.20
h	0.25	0.50
L	0.40	1.25
$\theta$	0°	7°



# TL062 TL064

## OUTLINE DIMENSIONS

### N SUFFIX PLASTIC PACKAGE CASE 646-06 ISSUE L

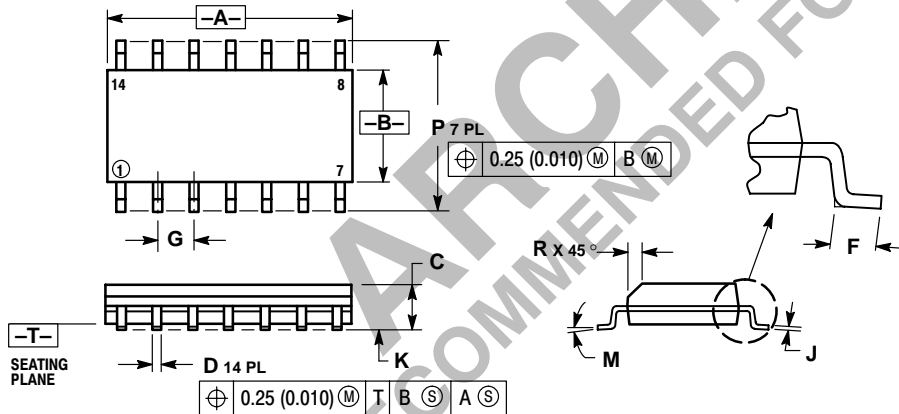


NOTES:

- LEADS WITHIN 0.13 (0.005) RADIUS OF TRUE POSITION AT SEATING PLANE AT MAXIMUM MATERIAL CONDITION.
- DIMENSION L TO CENTER OF LEADS WHEN FORMED PARALLEL.
- DIMENSION B DOES NOT INCLUDE MOLD FLASH.
- ROUNDED CORNERS OPTIONAL.

DIM	INCHES		MILLIMETERS	
	MIN	MAX	MIN	MAX
A	0.715	0.770	18.16	19.56
B	0.240	0.260	6.10	6.60
C	0.145	0.185	3.69	4.69
D	0.015	0.021	0.38	0.53
F	0.040	0.070	1.02	1.78
G	0.100 BSC		2.54 BSC	
H	0.052	0.095	1.32	2.41
J	0.008	0.015	0.20	0.38
K	0.115	0.135	2.92	3.43
L	0.300 BSC		7.62 BSC	
M	0°	10°	0°	10°
N	0.015	0.039	0.39	1.01

### D SUFFIX PLASTIC PACKAGE CASE 751A-03 (SO-14) ISSUE F



NOTES:

- DIMENSIONING AND TOLERANCING PER ANSI Y14.5M, 1982.
- CONTROLLING DIMENSION: MILLIMETER.
- DIMENSIONS A AND B DO NOT INCLUDE MOLD PROTRUSION.
- MAXIMUM MOLD PROTRUSION 0.15 (0.006) PER SIDE.
- DIMENSION D DOES NOT INCLUDE DAMBAR PROTRUSION. ALLOWABLE DAMBAR PROTRUSION SHALL BE 0.127 (0.005) TOTAL IN EXCESS OF THE D DIMENSION AT MAXIMUM MATERIAL CONDITION.

DIM	MILLIMETERS		INCHES	
	MIN	MAX	MIN	MAX
A	8.55	8.75	0.337	0.344
B	3.80	4.00	0.150	0.157
C	1.35	1.75	0.054	0.068
D	0.35	0.49	0.014	0.019
F	0.40	1.25	0.016	0.049
G	1.27 BSC		0.050 BSC	
J	0.19	0.25	0.008	0.009
K	0.10	0.25	0.004	0.009
M	0°	7°	0°	7°
P	5.80	6.20	0.228	0.244
R	0.25	0.50	0.010	0.019


TL062 TL064  
NOTES

ARCHIVE  
DEVICE NOT RECOMMENDED FOR NEW DESIGN

TL062 TL064  
NOTES

ARCHIVE  
DEVICE NOT RECOMMENDED FOR NEW DESIGN

ARCHIVE  
RECOMMENDED FOR NEW DESIGN

**ON Semiconductor** is a trademark and  is a registered trademark of Semiconductor Components Industries, LLC (SCILLC). SCILLC reserves the right to make changes without further notice to any products herein. SCILLC makes no warranty, representation or guarantee regarding the suitability of its products for any particular purpose, nor does SCILLC assume any liability arising out of the application or use of any product or circuit, and specifically disclaims any and all liability, including without limitation special, consequential or incidental damages. "Typical" parameters which may be provided in SCILLC data sheets and/or specifications can and do vary in different applications and actual performance may vary over time. All operating parameters, including "Typicals" must be validated for each customer application by customer's technical experts. SCILLC does not convey any license under its patent rights nor the rights of others. SCILLC products are not designed, intended, or authorized for use as components in systems intended for surgical implant into the body, or other applications intended to support or sustain life, or for any other application in which the failure of the SCILLC product could create a situation where personal injury or death may occur. Should Buyer purchase or use SCILLC products for any such unintended or unauthorized application, Buyer shall indemnify and hold SCILLC and its officers, employees, subsidiaries, affiliates, and distributors harmless against all claims, costs, damages, and expenses, and reasonable attorney fees arising out of, directly or indirectly, any claim of personal injury or death associated with such unintended or unauthorized use, even if such claim alleges that SCILLC was negligent regarding the design or manufacture of the part. SCILLC is an Equal Opportunity/Affirmative Action Employer.

## PUBLICATION ORDERING INFORMATION

### Literature Fulfillment:

Literature Distribution Center for ON Semiconductor  
P.O. Box 5163, Denver, Colorado 80217 USA  
**Phone:** 303-675-2175 or 800-344-3860 Toll Free USA/Canada  
**Fax:** 303-675-2176 or 800-344-3867 Toll Free USA/Canada  
**Email:** ONlit@hibbertco.com

**N. American Technical Support:** 800-282-9855 Toll Free USA/Canada

**JAPAN:** ON Semiconductor, Japan Customer Focus Center  
4-32-1 Nishi-Gotanda, Shinagawa-ku, Tokyo, Japan 141-0031  
**Phone:** 81-3-5740-2700  
**Email:** r14525@onsemi.com

**ON Semiconductor Website:** <http://onsemi.com>

For additional information, please contact your local Sales Representative.