



Features

- **Digital I/O** - individual digital channels can be set as either inputs or outputs providing flexibility through a single solution
- **Analog** - individual analog channels can be configured to support a broad range of voltage, current and temperature sensor type devices
- **Software selectable RS-232/422/485**. Serial port control signals can also be utilized as digital inputs or outputs
- **Access and control via IP socket control**, SCADA/RTU systems, SNMP or remote serial control via Perle's TruePort redirector
- **Web access enables data acquisition and control via common web browsers**
- **Alarm event processing via SNMP or Syslog**
- **Perle's Lifetime Warranty for security and peace of mind**

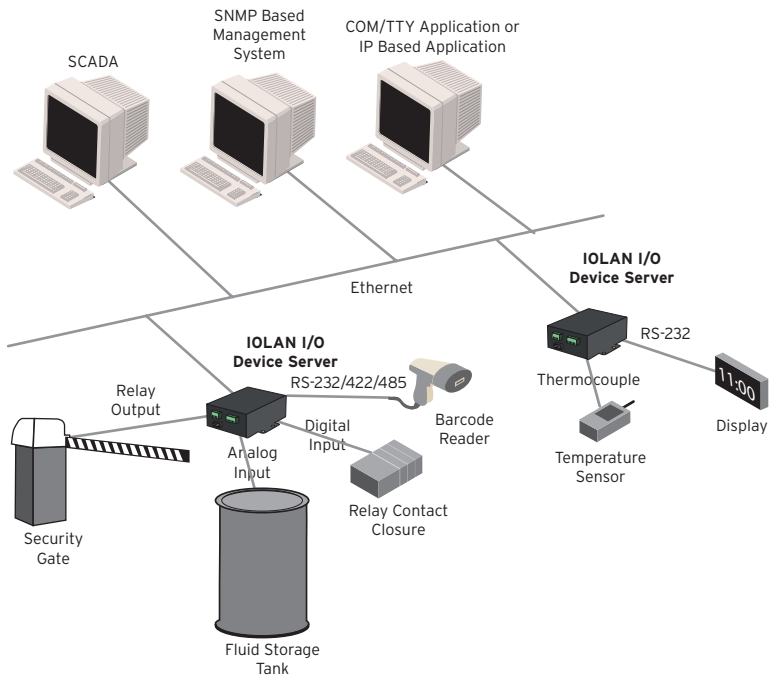
Applications

- **Remote Management and monitoring**
- **Building Automation**
- **Retail POS automation**
- **Industrial Automation - SCADA, Modbus Systems**
- **Access Control and security**
- **Environmental monitoring**
- **Data center and remote branch IT management**

Management, Monitoring and Control of High-Value Assets

The monitoring and protection of valuable remote assets involves more than simple access to its serial console port, in many cases it means the protection and control of its physical environment along with the ability to take corrective action when necessary. Digital and analog sensors, proximity and mechanical switches, relays, pushbuttons, temperature and humidity sensors can assist in determining the integrity and security of the asset's local environment. Information from these sent back to a central support location over a network can help an enterprise react more quickly to an important event or failure. IOLAN DS I/O Device Servers are ideal for these applications.

The IOLAN DS I/O has the ability to monitor environmental alarms, intrusion detection, relay contact closures and equipment failure. Through remote administrator or application control, opening and closing of integrated relay contacts or activation of digital output signals can be incorporated into any response of a critical event.



Class Leading Support and Warranty

The Perle IOLAN DS I/O is backed by the best service and support in the industry including Perle's unique lifetime warranty. Since 1976 Perle has been providing its customers with networking products that have the highest levels of performance, flexibility and quality.



Technical Specifications

Processor

- MPC852T, 66 Mhz, 87MIPS

Network/Ethernet

- 1 x 10/100 RJ45
- 1.5 KV magnetic isolation

Protocols

- IPv6, IPv4, TCP/IP, CIDR, ARP, RARP, UDP, UDP Multicast, ICMP, BOOTP, DHCP, TFTP, Telnet, Raw, Reverse Telnet, RCP, HTTP, Modbus/TCP, Modbus/RTU, Modbus/ASCII, SNMP

Indicators

- Power/Ready
- Link status/Lan Speed
- Network Link activity
- Serial : Tx and Rx data

Management

- EasyConfig wizard
- Web browser
- Perle DeviceManager software to manage multiple I/O Device Servers
- CLI – Telnet, shared console port
- Menu
- SNMP, MIB II, Perle MIB, read and write

I/O Connectors

- Removable terminal blocks

Digital I/O

- 2 or 4 channels depending on model
- selectable as inputs or outputs
- Optical isolation: 2000 Vrms

Relay

- Form C type SPDT

Analog Input

- Channels: 4 differential
- Optical Isolation : 3000 VDC

Thermocouple Input

- Type: J, K, T, E, R, S, B
- Optical Isolation : 2000 VDC

RTD (Resistance Temperature Detector) Input

- Channels: 4 differential
- Input type: PT100, PT1000, NI 518
- Optical isolation: 2000 VDC

Serial Port

- DB9M connector
- Software selectable EIA-232/422/485
- 15Kv ESD protection on all signals
- 50bps to 230Kbps

Input Power

- 9-30V DC on terminal blocks

Dimensions, Weight

- Dimension (L x W x H)
12.7 x 9.2 x 4.5 (cm) 5.0 x 3.6 x 1.8 (in)
Weight – 0.5 kg (1.1 lbs)

Environmental

- Operating temperature:
0°C to +55°C, 32°F to 131°F
- Storage temperature:
-40°C to +66°C, -40°F to 150°F

Approvals

- FCC Part 15A, CE, CAN/CSA 22.2, UL/CN 60950, EN 55022 Class A, EN 55024 Class A, CFR 47, ICES-003, IEC 60950-1

Fixed TTY/COM port emulation software.

- TruePort
- Microsoft Windows® Server 2003, XP
- Linux
- Solaris
- AIX
- SCO UnixWare, OpenServer
- NCR
- HP UX

Warranty

- Limited lifetime warranty

Model	Ethernet	Digital I/O	Analog Input	Relay Output	Themocouple or RTD input	Serial ports DB9	Part Number
IOLAN DS1 D2R2	10/100	2		2		1	04031010
IOLAN DS1 D4	10/100	4				1	04031000
IOLAN DS1 A4	10/100		4			1	04031020
IOLAN DS1 T4	10/100				4	1	04031030
IOLAN DS1 A4R2	10/100		4	2		1	04031040
IOLAN DS1 A4D2	10/100	2	4			1	04031050



www.perle.com

Perle products are constantly reviewed and updated to meet customers' needs, as such specifications and capabilities are subject to change without notice. We endeavor to keep product descriptions as current as possible; for the latest up-to-date information, please visit our web site at www.perle.com. Perle is a registered trademark of Perle Systems. All other product names are trademarks of their respective holders. Copyright©Perle.