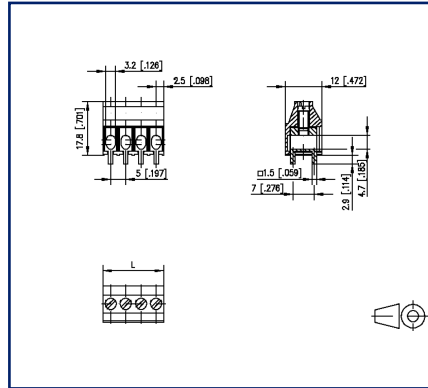


Data sheet
RT165xxHBNC Type 170

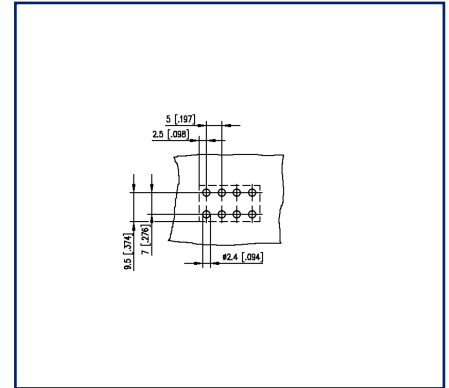
Illustrations



Dimensional drawing



Drill pattern



See enlarged drawings at the end of document

Product specification

- screw type terminal block, solderable, double solder pins
- centerline 5.00 mm, direction of connection 90°
- fittable without loss of poles
- color black
- big chamber for wire entry 2 x 2.50 mm² / 2 x 13.00 AWG



Data sheet RT165xxHBNC Type 170

Page 2/5

P/N
311701xx

xx=number of poles

2022/12/20

Version: AD

Technical Data


General Data

Tightening torque SEV	0.8 Nm		
Tightening torque UL	7.1 lb-in		
Solder pin length	2.9 mm		
min. number of poles	2		
max. number of poles	12		
Insulating material class	CTI 600		
clearance/creepage dist.	3.5 mm		
Protection category	IP10		
Min. insul. strip length	9.5 mm		
Rated current	16 A		
Overvoltage category	III	III	II
Pollution degree	3	2	2
Rated voltage	250 V	630 V	630 V
Rated test voltage	4 kV	4 kV	4 kV

Terminal data

rat.wiring solid AWGmax	0.5 mm ² - 4 mm ² / AWG 20 - AWG 10		
rat.wiring strand.AWGmax	0.5 mm ² - 4 mm ² / AWG 20 - AWG 10		

Approvals

extended wiring UL	Device is rated for use with No. 20 AWG Cu, Solid wire only and No. 10 AWG Cu, Sol/Str wire.		
 V / A / AWG	300 / 20 / 20 - 10		
approval UL - File No.	E121004		
2 2.5 mm ²	250 V / 20 A / T60		

Material

insulating material	PA66		
flammability class	V0		
terminal body thread	M3,5		
terminal body material	CuZnPb		
terminal body surface	Ni + Sn		
screw thread	M3,5		
screw material	8,8		
screw surface	Cu + Ni		
Glow-Wire Flammability GWFI	960 °C acc. to IEC 60695-2-12		
Glow-Wire Flammability GWIT	775 °C acc. to IEC 60695-2-13		

U | Contact

Data sheet RT165xxHBNC Type 170

Page 3/5

P/N
311701xx

xx=number of poles

2022/12/20

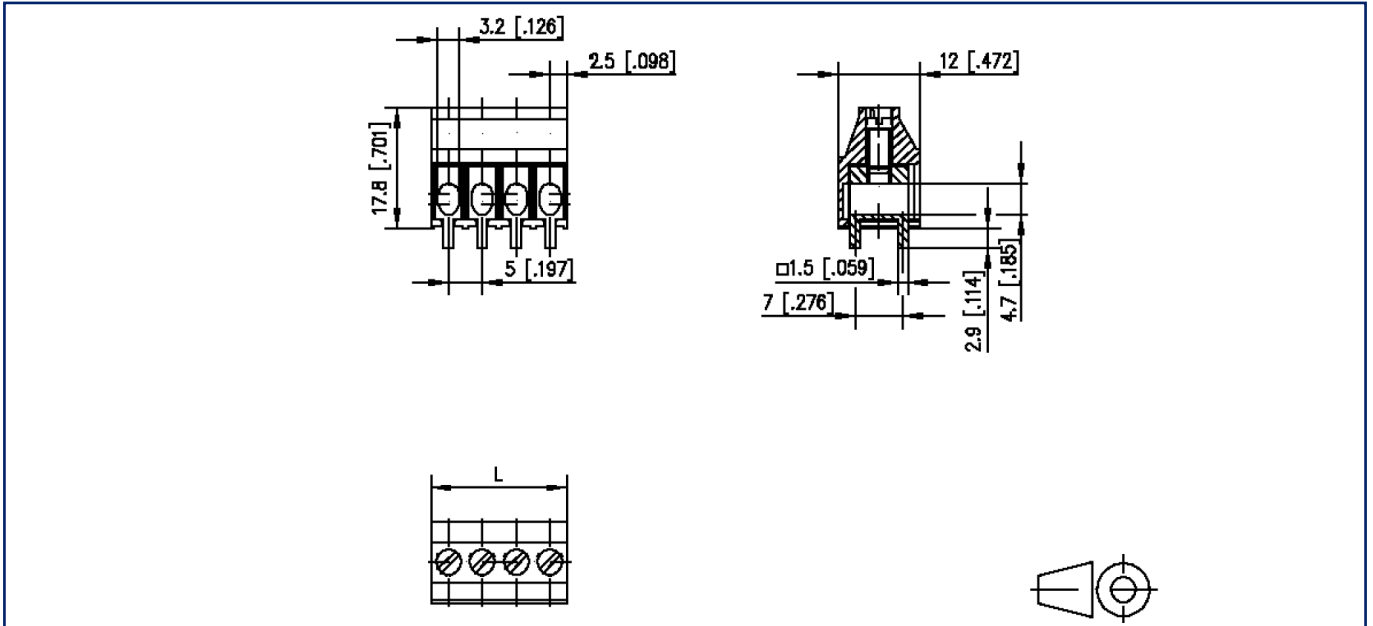
Version: AD

Technical Data

REACH	compliant
REACH - substance (SVHC)	Lead / 7439-92-1
Climatic Data	
upper limit temperature	105 °C
lower limit temperature	-40 °C
general	
Tolerance	ISO 2768 -mH
Solderability	Acc. to JEDEC JESD22-B102E 245°C/5s

Illustrations

Dimensional drawing



$L = (\text{pole size} - 1) \times \text{centerline} + 5 \text{ mm } [0.197]$

Illustrations

Drill pattern

