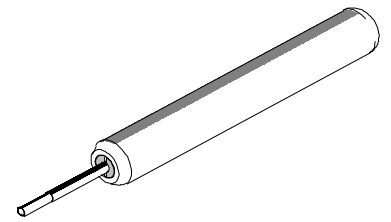




**Extractor Tool  
Instruction Sheet  
Order No. 11-03-0006  
(HT2038)**



**FEATURES**

- This Extractor Tool is for the removal of 2.36mm (.093") Diameter Series pin and socket male and female terminals in both plugs and receptacles.

**SCOPE**

Products: 2.36mm (.093") Diameter, Standard .093" Pin and Socket Crimp Terminals.

| Terminal Series No. | Terminal Order No. |            |            |            |            |            |            |
|---------------------|--------------------|------------|------------|------------|------------|------------|------------|
| 1189                | 02-09-1101         | 02-09-3101 | 02-09-5100 | 39-00-0071 | 39-00-0281 | 39-00-0290 | 39-00-0294 |
|                     | 02-09-1102         | 02-09-3102 | 02-09-5102 | 39-00-0072 | 39-00-0282 | 39-00-0291 | 39-00-0295 |
|                     | 02-09-1103         | 02-09-3103 | 02-09-5106 | 39-00-0135 | 39-00-0288 | 39-00-0292 | 50-29-1617 |
|                     | 02-09-1104         | 02-09-3104 | 02-09-5111 | 39-00-0136 | 39-00-0289 | 39-00-0293 |            |
| 1190                | 02-09-2101         | 02-09-4101 | 02-09-6100 | 02-09-6110 | 39-00-0296 | 3900-0299  |            |
|                     | 02-09-2101         | 02-09-4101 | 02-09-6101 | 39-00-0105 | 39-00-0297 | 3900-0300  |            |
|                     | 02-09-2103         | 02-09-4104 | 02-09-6106 | 39-00-0106 | 39-00-0298 | 3900-0301  |            |
| 1376                | 02-09-2131         | 02-09-2133 | 02-09-4102 | 02-09-6132 | 02-09-6134 | 02-09-6140 | 50-34-8509 |
|                     | 02-09-2132         | 02-09-2134 | 02-09-4103 | 02-09-6133 | 02-09-6138 | 50-34-8508 |            |
| 1377                | 02-09-1131         | 02-09-1133 | 02-09-1134 | 02-09-5132 | 02-09-5134 | 50-34-8510 | 50-34-8511 |
| 1380                | 02-09-2116         | 02-09-2119 | 02-09-6123 | 39-00-0283 | 39-00-0304 | 40-01-1138 |            |
|                     | 02-09-2117         | 02-09-2127 | 02-09-6125 | 39-00-0302 | 39-00-0305 | 40-01-1139 |            |
|                     | 02-09-2118         | 02-09-6122 | 02-09-6126 | 39-00-0303 | 39-00-0306 |            |            |
| 1381                | 02-09-1115         | 02-09-1119 | 02-09-5133 | 39-00-0285 | 39-00-0310 | 39-00-0314 |            |
|                     | 02-09-1116         | 02-09-1129 | 02-09-5142 | 39-00-0307 | 39-00-0311 | 40-01-1191 |            |
|                     | 02-09-1117         | 02-09-1130 | 02-09-5143 | 39-00-0308 | 39-00-0312 | 40-01-1192 |            |
|                     | 02-09-1118         | 02-09-5130 | 39-00-0284 | 39-00-0309 | 39-00-0313 |            |            |
| 1433                | 02-09-1141         | 02-09-1144 | 39-00-0315 | 39-00-0318 | 39-00-0321 | 98-00-0230 |            |
|                     | 02-09-1142         | 02-09-5146 | 39-00-0316 | 39-00-0319 | 39-00-0322 |            |            |
|                     | 02-09-1143         | 02-09-5147 | 39-00-0317 | 39-00-0320 | 98-00-0228 |            |            |
| 1434                | 02-09-2141         | 02-09-2149 | 02-09-6145 | 39-00-0324 | 39-00-0326 | 98-00-0249 |            |
|                     | 02-09-2143         | 02-09-6144 | 39-00-0323 | 39-00-0325 | 40-01-1107 | 98-00-0250 |            |
| 1973                | 02-09-8103         | 02-09-8104 | 02-09-8107 | 02-09-8108 | 02-09-8109 |            |            |
| 2151                | 02-09-1201         | 02-09-1202 | 02-09-1203 | 02-09-1204 | 02-09-5202 | 02-09-5203 |            |
| 2152                | 02-09-2201         | 02-09-2202 | 02-09-3202 | 02-09-6202 | 02-09-6203 |            |            |
| 2269                | 02-09-1105         | 02-09-1106 |            |            |            |            |            |
| 2273                | 02-09-1122         | 02-09-1123 | 02-09-1135 | 02-09-1140 |            |            |            |
| 2605                | 02-09-1145         | 02-09-1146 | 39-00-0382 | 39-00-0383 | 39-00-0384 |            |            |
| 2606                | 02-09-8113         | 02-09-8114 | 02-09-8116 | 39-00-0385 | 39-00-0386 |            |            |
| 2870                | 02-09-2136         | 02-09-2137 | 02-09-2138 |            |            |            |            |
| 2871                | 02-09-1136         | 02-09-1137 | 02-09-1138 | 02-09-1139 |            |            |            |
| 4272                | 02-09-1149         | 02-09-1151 |            |            |            |            |            |
| 4549                | 02-09-2166         | 02-09-2167 | 02-09-3203 |            |            |            |            |
| 4550                | 02-09-1205         | 02-09-1206 | 02-09-5169 | 02-09-5170 |            |            |            |
| 6271                | 02-09-1208         | 02-09-1212 | 02-09-5207 | 02-09-5208 |            |            |            |
| 6310                | 02-09-1209         | 02-09-1211 | 02-09-5205 | 02-09-5206 |            |            |            |

| Terminal Series No. | Terminal Order No. |            |            |            |            |  |  |
|---------------------|--------------------|------------|------------|------------|------------|--|--|
| 7238                | 02-09-1111         | 02-09-1112 |            |            |            |  |  |
| 7239                | 02-09-2111         | 02-09-2112 | 02-09-2153 | 02-09-2154 |            |  |  |
| 8058                | 02-09-1148         | 02-09-1158 | 02-09-5114 | 02-09-5115 | 02-09-5116 |  |  |
| 41483               | 02-09-1153         | 02-09-1154 | 02-09-1155 | 02-09-1156 |            |  |  |
| 42477               | 02-09-1615         | 02-09-1616 |            |            |            |  |  |
| 42478               | 02-09-2611         | 02-09-2612 | 02-09-2613 |            |            |  |  |

**OPERATION:**

**CAUTION:** This extractor tool should be used to extract the terminal only. Using it for unintended purposes may cause injury or damage to parts. Be careful not to deform the end of the terminal.

1. The Extractor Tool must be **In Line** with the terminal as shown. Push terminal forward in arrow direction before using the Extractor Tool, (See Figure 1).

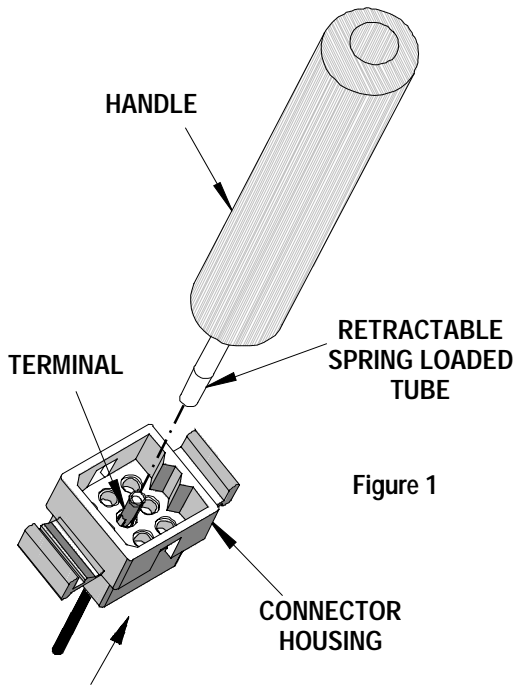


Figure 1

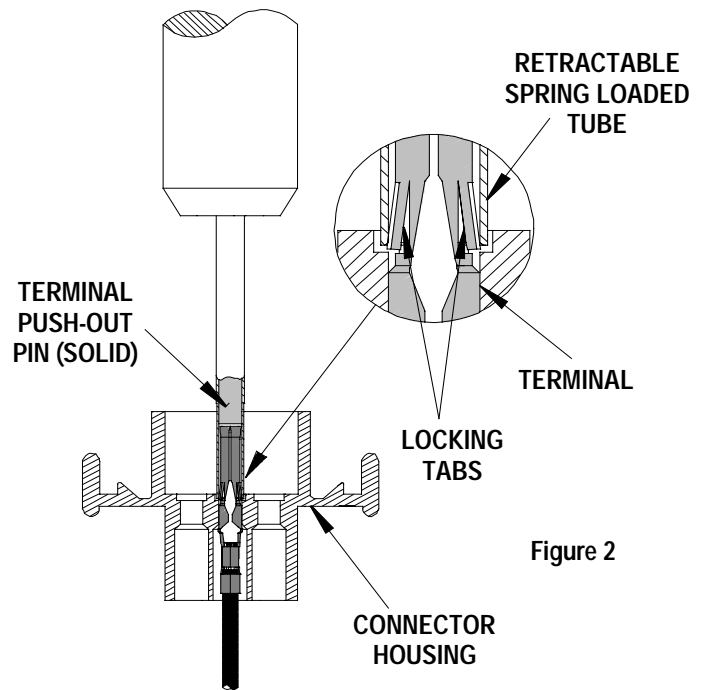
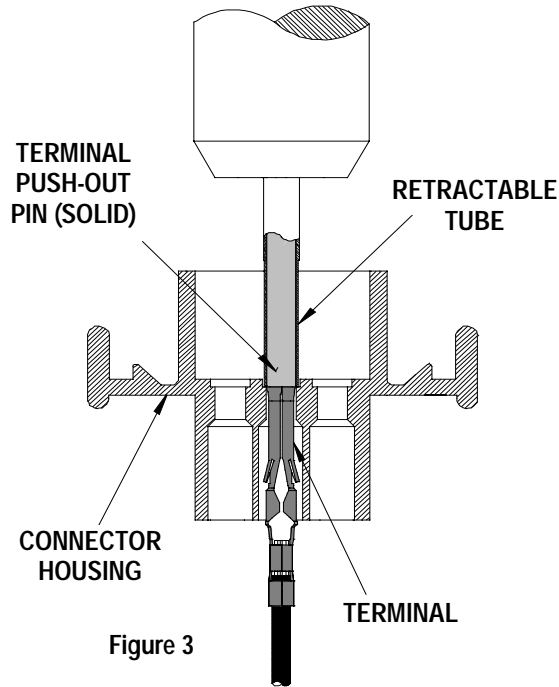


Figure 2

2. The Retractable Spring Loaded Tube must depress the Locking Tabs on the terminal before it contacts the Terminal Push out pin. Rotate Extractor Tool while following above instructions, (See Figure 2).



3. The terminal push-out pin (solid) pushes the terminal back through the connector hole as the retractable tube recedes into the handle. Always re-spread the locking tabs when reinserting the same terminal.
4. Molex does not offer repair parts for Extractor Tools due to the inexpensive nature of these tools.

**Americas Headquarters**  
Lisle, Illinois 60532 U.S.A.  
1-800-78MOLEX  
amerinfo@molex.com

**Far East North Headquarters**  
Yamato, Kanagawa, Japan  
81-462-65-2324  
feninfo@molex.com

**Far East South Headquarters**  
Jurong, Singapore  
65-6-268-6868  
fesinfo@molex.com

**European Headquarters**  
Munich, Germany  
49-89-413092-0  
eurinfo@molex.com

**Corporate Headquarters**  
2222 Wellington Ct.  
Lisle, IL 60532 U.S.A.  
630-969-4550  
Fax: 630-969-1352

Visit our Web site at <http://www.molex.com>