

READERS WITHOUT LED

CZ-0 (xxx)



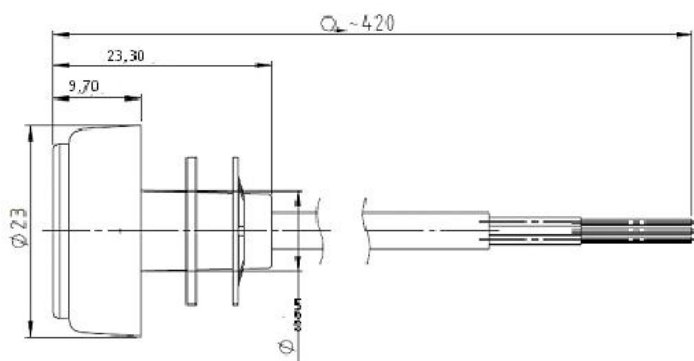
Plastic casing

Available versions: chromium plated or stainless steel

[SUS316]

Standard wire length – 40 cm

Chromium plated version is not suitable for hard environmental conditions (we suggest using stainless steel readers))



Technical data for chromium plated version.

The reader is designer to work with Maxim Dallas chips series DS19xx

1.Wires :	White – 1 wire signal Brown - GND
2.Application	Acces control device
3.Casing	Plastic (polyacetal)
4.Ring material	Ferrite steel + Cu + Ni + Cr ⁺³
5.Signal joint material	Brass + Ni +Cr ⁺³
6.Wire	2*0,25mm ² (technokabel)
7.Fastening method	retaining ring
8.Work enviroment	Residential, commercial and lightly industrial
9.Working temperature	From -40 °C to +85 °C
10.Humidity	Up to 70%