

CXA-P1212B-WJL (8W DUAL OUTPUTS WITH DIMMING FUNCTION)

DESCRIPTION :

This low profile DC to AC Inverter is developed for dual lamps, low power LCD back-light. Application includes industrial PC and LCD monitor.

Applicable LCD; 8 to 12 inches double lamp type
 Lamp Voltage 600Vrms
 Lamp Current 6mArms
 Lamp Start Up Voltage 1700Vrms (Vin : 12V)



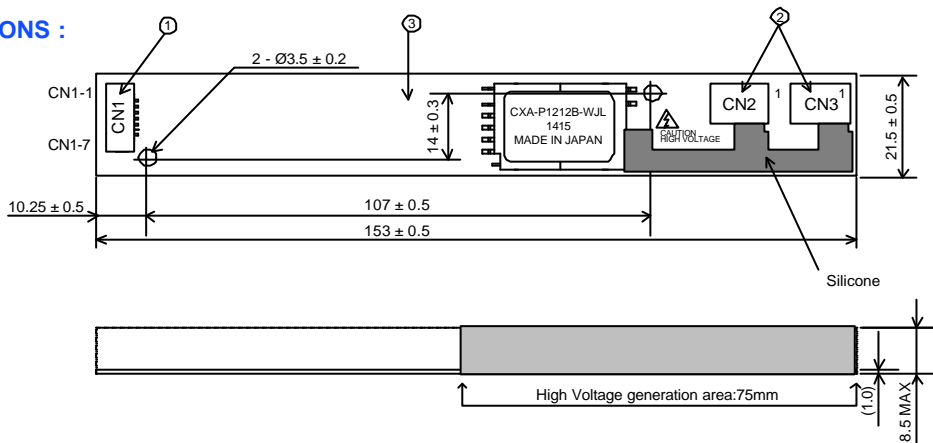
FEATURES :

- Wide operating temperature range
- Alarm signal function
- PWM dimming
- Current Feedback Circuit
- Silicon Coating in High Voltage area

TEMPERATURE & HUMIDITY :

Operating Temperature Range -10°C ~ +70°C
 Storage Temperature Range -30°C ~ +85°C
 Humidity 95 %RH max

DIMENSIONS :



Unit : mm
 Weight :25 (g) typ.

No.	Part Description	Qty.	Note
1	PWB	1	UL94V-0 t=1.0mm
2	Connector CN1	1	53261-0790 (Molex)
3	Connector CN2,3	2	SM02(8.0)B-BHS-1 (JST)

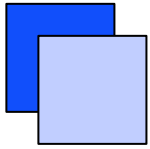
CN1 : 53261-0790 (Molex)		
Pin	Symbol	Note
CN1-1	Vin	10.8 ~ 13.2V
CN1-2		
CN1-3	GND	0 V
CN1-4		
CN1-5	Vrmt	0 ~ 0.4V : OFF 2.5V ~ Vin : ON
CN1-6	Vst*1	0V / 5V
CN1-7	Vbr / Rbr	0 ~ 2.5V / 0 ~ 50kΩ

CN2 : SM02(8.0)B-BHS-1 (JST)		
Pin	Symbol	Note
CN2-1	Vhigh1	600Vrms (6mArms)
CN2-2	N.C.	-
CN2-3	Vlow1	(2V)

CN3 : SM02(8.0)B-BHS-1 (JST)		
Pin	Symbol	Note
CN3-1	Vhigh2	600Vrms (6mArms)
CN3-2	N.C.	-
CN3-3	Vlow2	(2V)

*1. This is an output pin and it is active high (+5V) if any Lamp opens / fails

General Information Tel : +81-3-5201-7206 (Japan)
 Tel : +1-847-390-4439 (USA)
 Tel : +44-118-921-6206 (EU)



CXA-P1212B-WJL (8W DUAL OUTPUTS WITH DIMMING FUNCTION)

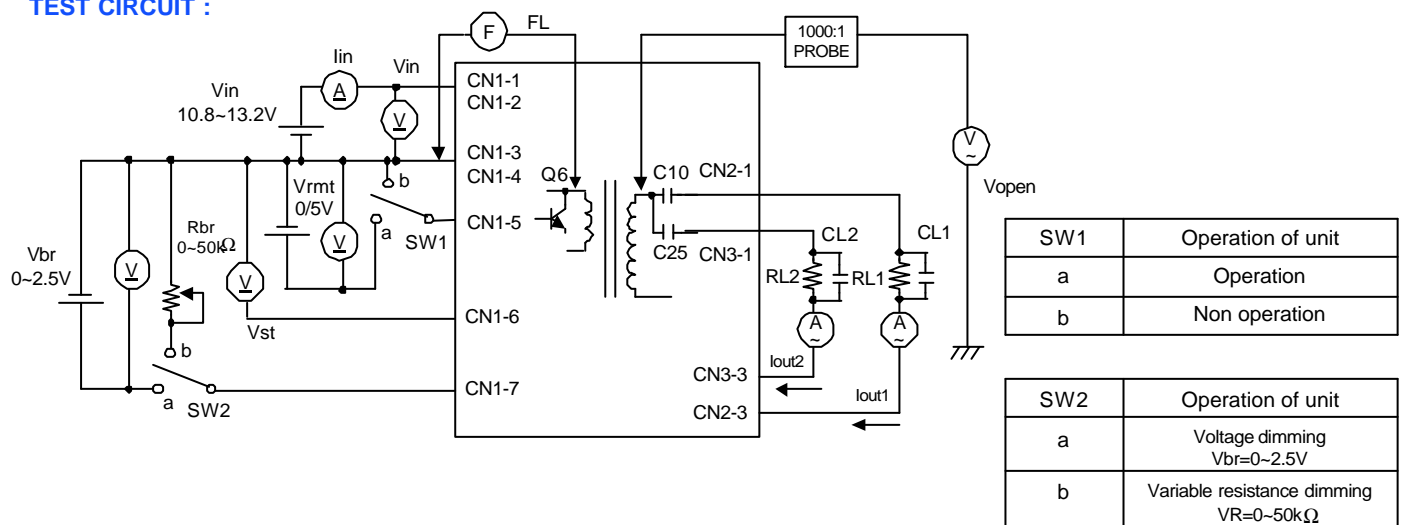
ELECTRICAL CHARACTERISTICS :

Parameters	Symbol	Conditions				Specifications			Unit	Note	
		Vin (V)	Vrmt (V)	Vbr / VR	Ta (°C)	RL1 (kΩ) // CL1(pF) RL2 (kΩ) // CL2(pF)	min.	typ.			max.
Output Current	Iout1 /Iout2	12 ± 1.2	5 ± 0.25	0V / 0Ω	-10 ~ +70	85 ~ 95 // 5 85 ~ 95 // 5	5.3	6.0	6.7	mArms	Max Brightness.
		12 ± 0.6	5 ± 0.25	0V / 0Ω	23 ± 5	90 // 5 90 // 5	5.5	6.0	6.5	mArms	
		12 ± 0.6	5 ± 0.25	2.5V / 50kΩ	23 ± 5	90 // 5 90 // 5	1.2	2.0	2.8	mArms	Min Brightness.
Input Current 1	Iin1	12 ± 0.6	5 ± 0.25	0V / 0Ω	-10 ~ +70	90 // 5 90 // 5	-	0.8	1.0	Adc	
Input Current 2	Iin2	12 ± 0.6	0 ± 0.25	0V / 0Ω	-10 ~ +70	85 ~ 95 // 5 85 ~ 95 // 5	-	-	1	mAdc	
Frequency	FL	12 ± 0.6	5 ± 0.25	0V / 0Ω	-10 ~ +70	85 ~ 95 // 5 85 ~ 95 // 5	35	40	45	kHz	
Open Voltage	Vopen	12 ± 1.2	5 ± 0.25	0V / 0Ω	-10 ~ +70	∞ ∞	1500	1700	-	Vrms	
Alarm Signal	Vst	12 ± 1.2	5 ± 0.25	0V / 0Ω	-10 ~ +70	85 ~ 95 // 5 ∞	4.5	5.0	5.5	Vdc	RL2 // CL2 open
		12 ± 1.2	5 ± 0.25	0V / 0Ω	-10 ~ +70	85 ~ 95 // 5 ∞	4.5	5.0	5.5	Vdc	RL1 // CL1 open
		12 ± 1.2	5 ± 0.25	0V / 0Ω	-10 ~ +70	85 ~ 95 // 5 85 ~ 95 // 5	-	0	0.5	Vdc	Normal

Note 1 : Please keep minimum of 2mm clearance (all directions) between inverter high voltage area as marked on mechanical drawing and any conductors.

Note 2 : Open circuit on all lamps for more than 3 seconds, will shut the inverter down

TEST CIRCUIT :



Note 3: In test circuit; 5pF capacitor across the load resistor is add to simulate LCD back-light stray capacitor.