

MATERIALS AND FINISHES:

PART NO. 73415-4680/73415-4681
73415-4682/73415-4683
73415-4685

BODY
BRASS
PLATED 50u" MIN COPPER UNDERCOAT
100~200u" NICKEL UNDERCOAT
2u" MIN GOLD PLATING

CENTER CONTACT
BRASS
PLATED 10u" GOLD

OUTER CONTACT
BERYLLIUM COPPER
PLATED 50u" MIN COPPER UNDERCOAT
100~200u" NICKEL UNDERCOAT
2u" MIN GOLD PLATING

INSULATOR
TEFLON

WITHSTAND 48HRS SALT SPRAY TEST

NOTE:

1. PART NO.73415-4681 WITHOUT CONTACT PART
2. 73415-4682 WITH CUSTOMER REQUEST PACKAGE
3. PART NO.73415-4683/73415-4684
PACKAGE 500PCS BY BAG

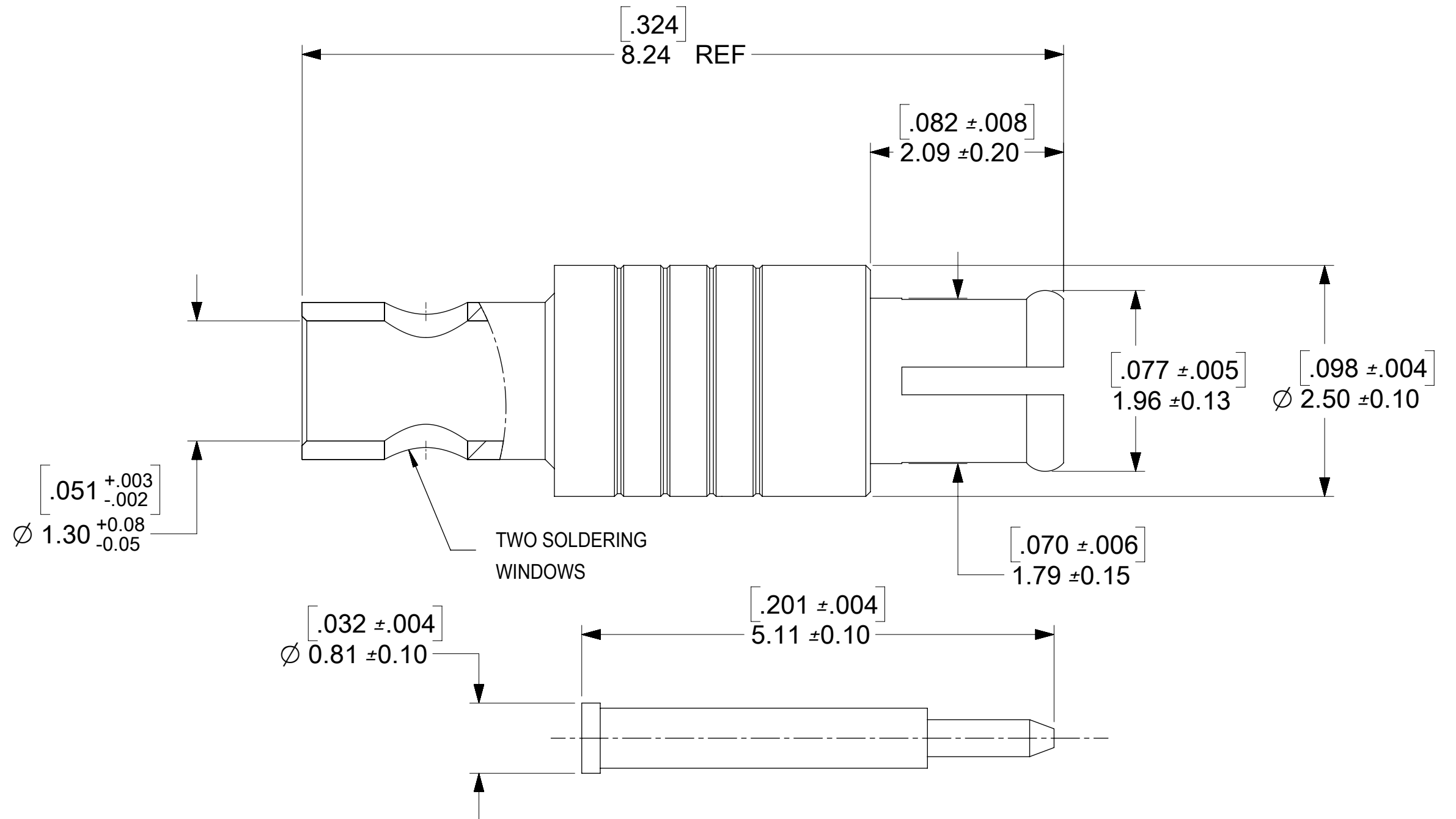
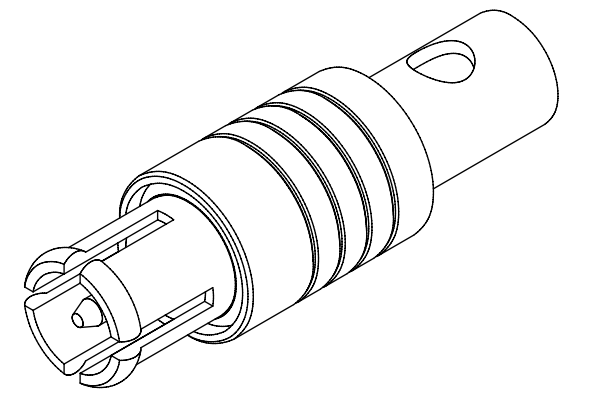
PART NO.73415-4684

BODY
BERYLLIUM COPPER
PLATED TRI METAL

CENTER CONTACT
BERYLLIUM COPPER
PLATED GOLD

OUTER CONTACT
BERYLLIUM COPPER
PLATED GOLD

INSULATOR
TEFLON



PS-73598-0220	PRODUCT SPECIFICATION
AS-73597-033	ASSEMBLY INSTRUCTION
SPECIFICATION	DESCRIPTION

REV	DATE	DESCRIPTION
D3	2017/08/23	1. CHANGE DIMENSION FROM Ø0.76±0.10 TO Ø0.81±0.10 2. ADD 2.09±0.20 DIMENSION 3. ADD 1.79±0.15 DIMENSION 4. ADD 1.96±0.13 DIMENSION 5. ADD PACKAGE SPEC ON DRAWING

73415-4687	NON-MAGNETIC	1 PIECE 73415-4684 PER BAG	SEE 89542-0080 DRAWING
73415-4686	GENERAL TYPE	1 PIECE 73415-4680 PER BAG	SEE 89542-0080 DRAWING
73415-4685	GENERAL TYPE	SPECIFIC LABEL ON OUTER BOX	-----
73415-4684	NON-MAGNETIC	500pcs BY ONE BAG	SEE 89542-0120 DRAWING
73415-4683	GENERAL TYPE	500pcs BY ONE BAG	SEE 89542-0120 DRAWING
73415-4682	GENERAL TYPE	SEE NOTE 2	-----
73415-4681	GENERAL TYPE	SEE NOTE 1	-----
73415-4680	GENERAL TYPE	1000pcs BY ONE BAG	SEE 89542-0100 DRAWING
PART NO.	DESCRIPTION	PACKAGING	PACKAGING SPEC.

QUALITY SYMBOLS				THIS DRAWING CONTAINS INFORMATION THAT IS PROPRIETARY TO MOLEX ELECTRONIC TECHNOLOGIES, LLC AND SHOULD NOT BE USED WITHOUT WRITTEN PERMISSION					
▽ = 0	▽ = 0	▽ = 0	▽ = 0	PDR: 7082469 EC NO: 121184 DRWN: JSU18 CHKD: YCHENG REV: APPR:	2017/08/02 2017/10/11	GENERAL TOLERANCES (UNLESS SPECIFIED) ANGULAR TOL ± 5.0 °	DIMENSION UNITS: HYBRID	SCALE: 1:1	
▽ = 0	▽ = 0	▽ = 0	DRWN BY: SSHAH				DATE: 2006/08/31		
▽ = 0	▽ = 0	▽ = 0	CHKD BY: TFLAHERTY				DATE: 2006/08/31		
▽ = 0	▽ = 0	▽ = 0	APPR BY: JWIENER				DATE: 2006/08/31		
▽ = 0	▽ = 0	▽ = 0	DRAWING SIZE: C				THIRD ANGLE PROJECTION		
▽ = 0	▽ = 0	▽ = 0	DRAFT WHERE APPLICABLE MUST REMAIN WITHIN DIMENSIONS						
SERIES: 73415			MATERIAL NUMBER: 73415		CUSTOMER: GENERAL MARKET				
DOCUMENT NUMBER: SD-73415-468			DOC TYPE: PSD	DOC PART: 001	SHEET NUMBER: 1 OF 1				