

- 1
- 2
- 3
- 4
- 5
- 6
- 7
- 8
- 9
- 10
- 11
- 12
- 13
- 14
- 15
- 16
- 17
- 18

**MATERIAL**

Glass-fibre reinforced polyamide based (PA) technopolymer, black colour.

**PACKING RING**

Silicone directly applied onto the back side of the stator head.

**WASHER WITH ELASTIC FIXING WINGS AND SELF-TAPPING SCREWS**

Stainless steel.

**KEY**

Polyamide based (PA) technopolymer.

**ROTATION**

90°.

**IP PROTECTION**

IP 65 protection class, according to EN 60529 (see page A-18).

**STANDARD EXECUTIONS**

- **CQTL/A**: two-wing groove for key.
- **CQTL/T**: triangular groove for key.

**MAXIMUM CONTINUOUS WORKING TEMPERATURE**

130°C.

**DISASSEMBLY TOOL (TO BE ORDERED SEPARATELY)**

Code 421550 ATTREZZO CQT.FM. in AISI 304 stainless steel.

**FEATURES**

With steel plate thickness ranging from 1 to 2 mm quick-assembly latches with recessed key CQT.FM (patented) allow for faster mounting on doors.

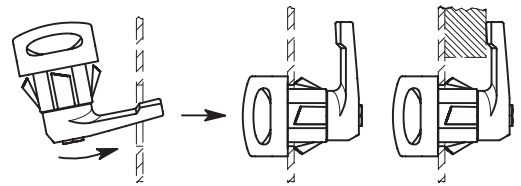
**SPECIAL EXECUTIONS ON REQUEST**

- Closing levers in zinc-plated steel.
- Latches and keys supplied separately.

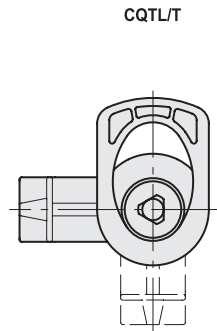
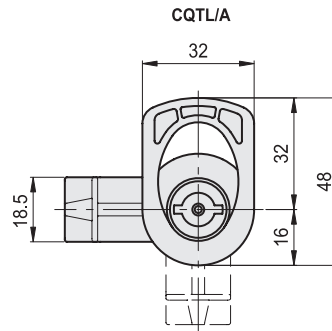
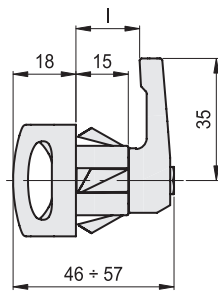
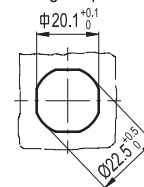
**ASSEMBLY INSTRUCTIONS**

The latch is inserted in the mounting hole of the door on the lever side (see picture) until the wings of the elastic washer snap in, ensuring complete fastening.

The latches are supplied with assembled lever for faster mounting. Where needed, the latch can be disassembled from the inside of the door by means of a disassembling tool (to be ordered separately).



Drilling template



Conversion Table	
1 mm = 0.039 inch	
mm	inch
18	0.71
20	0.79
22	0.87
25	0.98
30	1.18

**CQTL/A**

**METRIC**

Code	Description	l	⚖
421251	CQTL/A-FM-35-18	18	25
421252	CQTL/A-FM-35-20	20	26
421253	CQTL/A-FM-35-22	22	27
421254	CQTL/A-FM-35-25	25	29
421255	CQTL/A-FM-35-30	30	34

**CQTL/T**

**METRIC**

Code	Description	l	⚖
421256	CQTL/T-FM-35-18	18	25
421257	CQTL/T-FM-35-20	20	26
421258	CQTL/T-FM-35-22	22	27
421259	CQTL/T-FM-35-25	25	29
421260	CQTL/T-FM-35-30	30	34