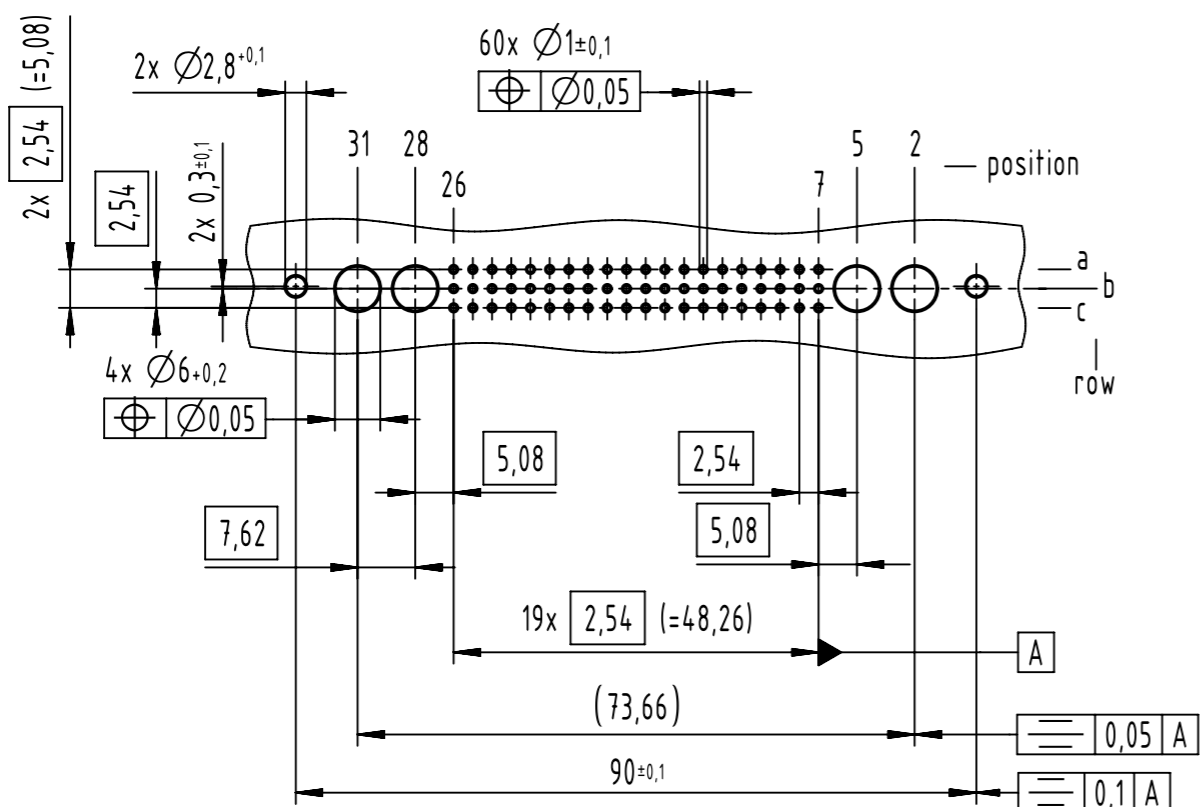
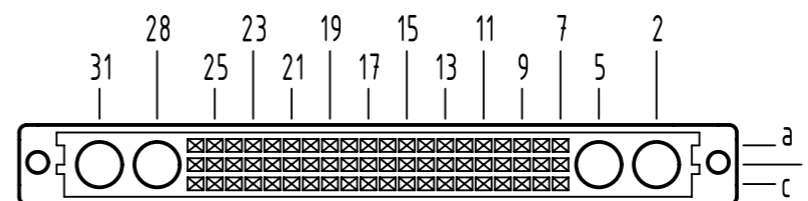


A  
board drillings



A  
contact arrangement

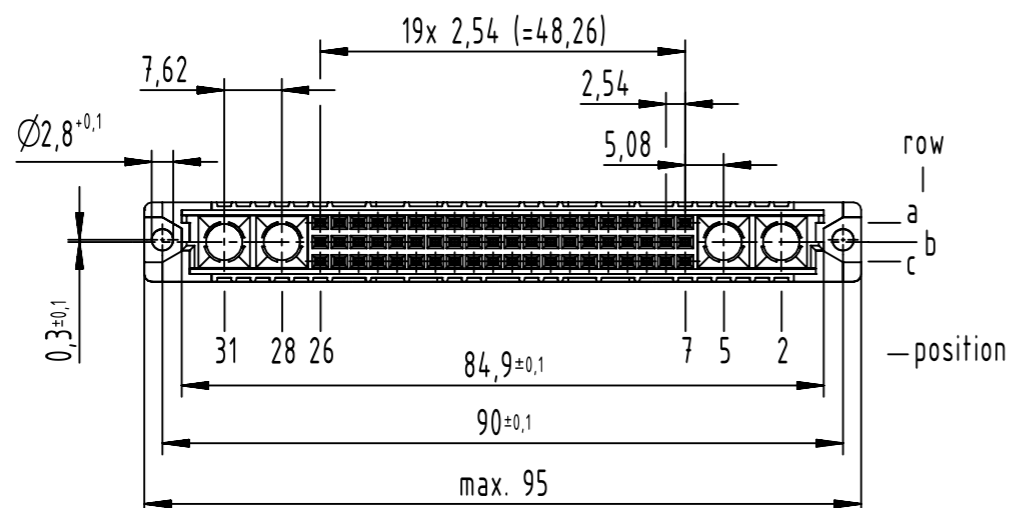
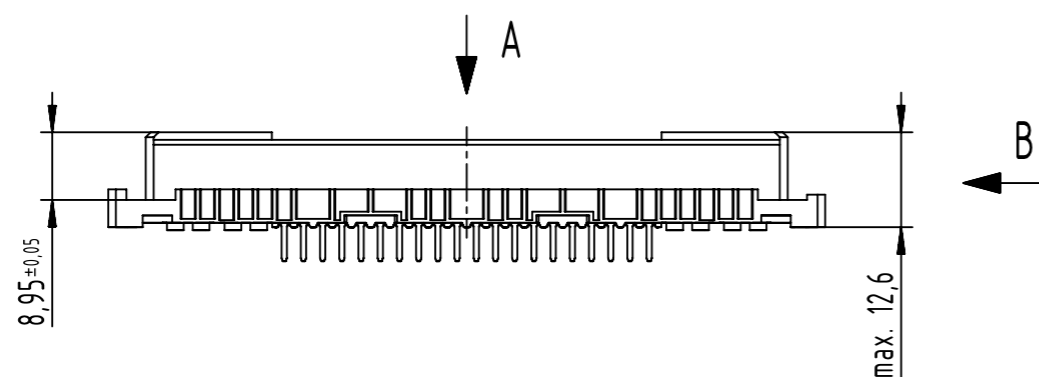
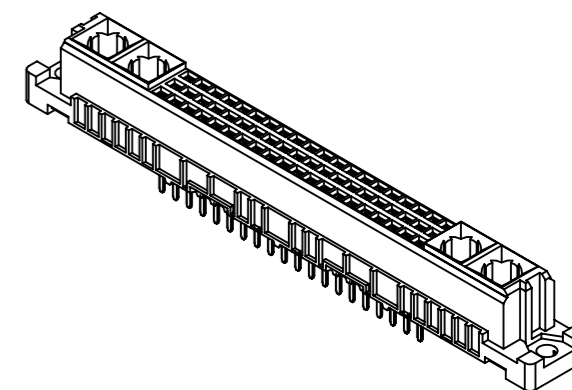
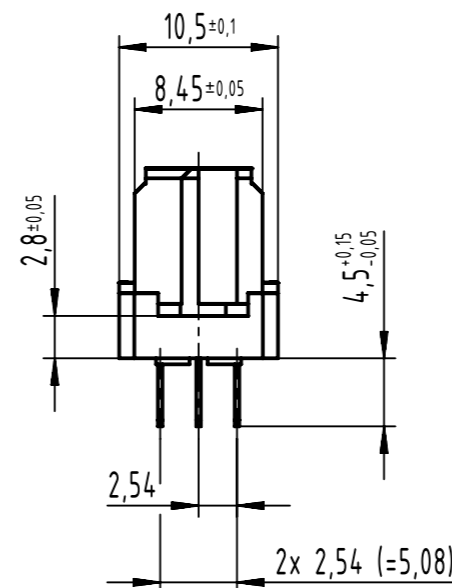


60 solder contacts

▨ = solder contact

□ = position without contact

B (2:1)



further information see product data sheet

09 03 260 6805	2
part no.	performance level

All rights reserved Department EL PD HARTING D-32339 Espelkamp	All Dimensions in mm Original Size DIN A3	Scale 1:1	Free size tol. IEC 60603-2	Ref. Sub.	Date 2021-09-22	State Final Release
	Title DIN Signal type M60+4 female solder 4.5 60-pole	Type TB	Number 0903260X805	Doc-Key / ECM-Nr. 100072218/UGD/055/E 500000202766	Rev. E	Page 1/1