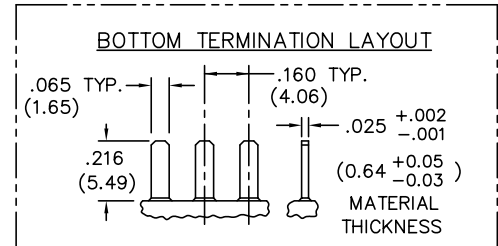
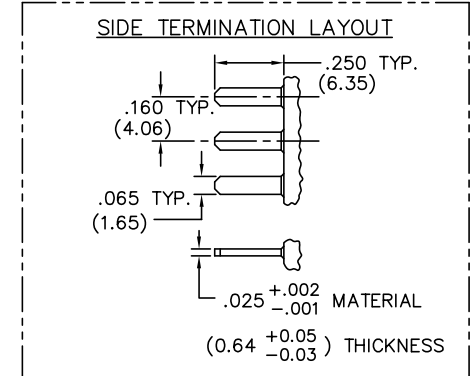
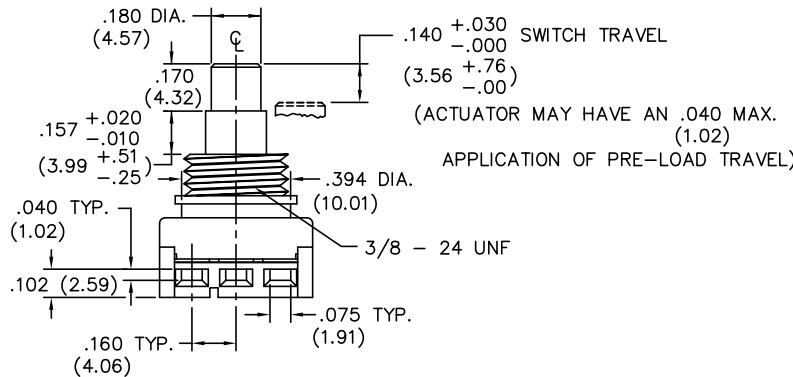
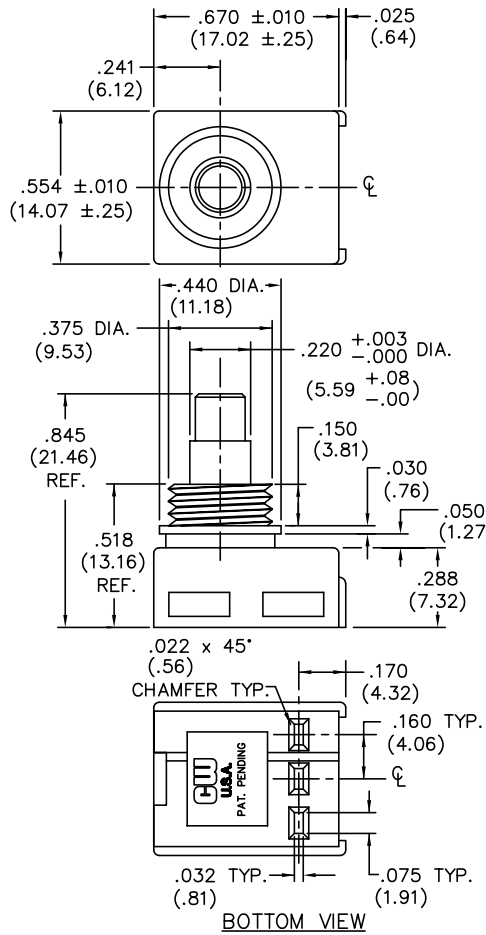


DIMENSIONS IN INCHES (MILLIMETERS)
DO NOT SCALE DRAWING

Dwg. No.
GC-536-0102



TERMINATION - Insert male tabs into switch housing using side or bottom termination option. Refer to termination option layout for dimensions."

E									
D									
C									
B									
A									
	1	2	3	4	5	6	7	8	9

FORM-B3 REVISIONS	
	THIS INFORMATION IS CONFIDENTIAL AND PROPRIETARY TO CW INDUSTRIES INCORPORATED AND ITS AFFILIATES. IT MAY NOT BE DISCLOSED TO ANYONE, OTHER THAN CW INDUSTRIES PERSONNEL, WITHOUT WRITTEN AUTHORIZATION FROM CW INDUSTRIES INCORPORATED, SOUTHAMPTON, PENNSYLVANIA USA.

PDF File Made	CW INDUSTRIES Southampton, Pa. 18966	Title: SWITCH ASSEMBLY PUSH ON-PUSH OFF S.P.D.T. W/SPECIAL BUTTON
	TOLERANCES UNLESS OTHERWISE SPECIFIED	
	2 Place Decimal $\pm .010$ 3 Place Decimal $\pm .005$ Angles $\pm 1^\circ$	METRIC 1 Place Dec. $\pm .25\text{mm}$ 2 Place Dec. $\pm .13\text{mm}$
	Made for: CW IND. Drawn by: DGW 11-17-2010 Checked by: G. Guld 11-18-10 Approval: EJP 11/19/10	Division: SWITCH Dwg. No. GC-536-0102