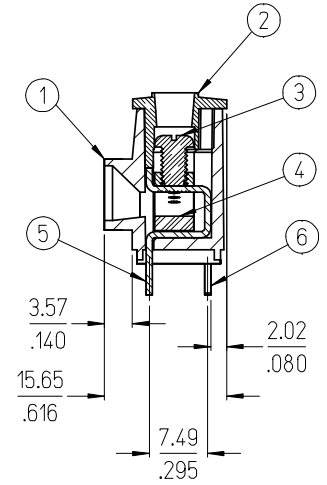
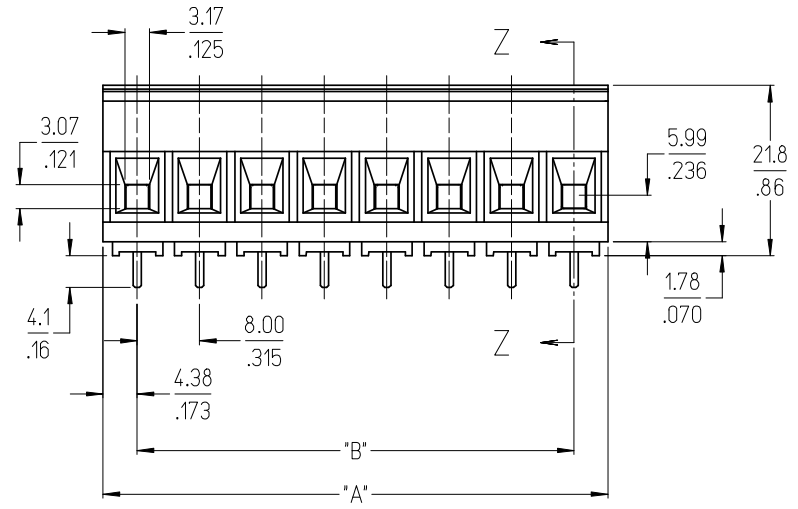
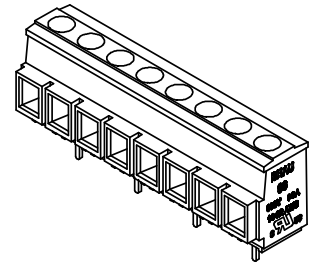
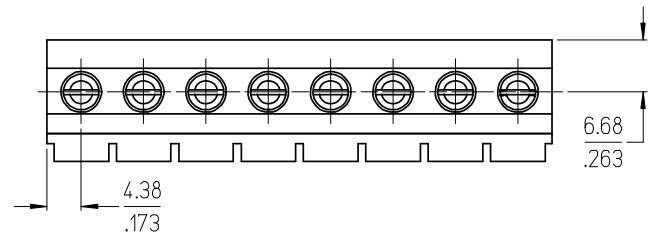
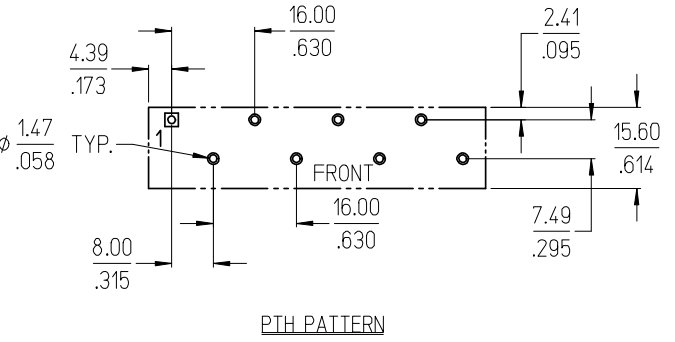


NO. OF CIRCUITS	DIM. "A"		DIM. "B"		ASSEMBLY MATERIAL NO.	FRONT TERM. (ITEM 5) QTY.	REAR TERM. (ITEM 6) QTY.
	mm	in	mm	in			
03	24.9	.98	16.00	.630	399600703	1	2
04	32.9	1.30	24.00	.945	399600704	2	2
05	40.9	1.61	32.00	1.260	399600705	2	3
06	48.9	1.93	40.00	1.575	399600706	3	3
07	56.9	2.24	48.00	1.890	399600707	3	4
08	64.9	2.56	56.00	2.205	399600708	4	4
09	72.9	2.87	64.00	2.520	399600709	4	5
10	80.9	3.19	72.00	2.835	399600710	5	5
11	88.9	3.50	80.00	3.150	399600711	5	6
12	96.9	3.82	88.00	3.465	399600712	6	6



SECTION Z-Z



PTH PATTERN

- NOTES:
1. MATERIAL: SEE TABLE
  2. FINISHES: SEE TABLE
  3. ALL CREEP DISTANCES FOR UL 1059, CLASS C, 600V GENERAL INDUSTRIAL.
  4. FOR USE WITH #22-#10 AWG SOLID AND STRANDED WIRES.
  5. TORQUE RATING IS 7 IN-LB.
  6. "XX" REFERS TO THE NUMBER OF CIRCUIT POSITIONS.
  7. ASSEMBLY IS ROHS COMPLIANT BY EXEMPTION. COMPONENTS MARKED WITH AN ASTERISK (\*) ARE ROHS COMPLIANT BY EXEMPTION, ALL OTHERS ARE ROHS COMPLIANT.

ITEM	QTY.	DESCRIPTION	MATERIAL	FINISH
6	SEE CHART	REAR TERMINAL	COPPER ALLOY	TIN PLATE
5	SEE CHART	FRONT TERMINAL	COPPER ALLOY	TIN PLATE
4	"XX"	CAGE CLAMP (*)	BRASS	NICKEL PLATE
3	"XX"	SCREW, M3.5 X 0.6, SLOTTED	STAINLESS STEEL	PASSIVATED
2	1	COVER	PBT	BLACK
1	1	BODY	PBT	BLACK

INITIAL RELEASE EC NO: ETC2008-0077 DRWN: CLYORK 2007/09/17 CHKD: JMACNEIL 2007/09/18 APPR: JMACNEIL 2007/09/18	QUALITY SYMBOLS	GENERAL TOLERANCES (UNLESS SPECIFIED)	DIMENSION STYLE	SCALE	DESIGN UNITS	THIRD ANGLE PROJECTION
	▼=0 ▽=0	mm    INCH 4 PLACES ± --- ± --- 3 PLACES ± --- ± .005 2 PLACES ± 0.13 ± .01 1 PLACE ± 0.3 ± --- ANGULAR ± 2 °	MM/IN	3:2	INCH	
		DRAFT WHERE APPLICABLE MUST REMAIN WITHIN DIMENSIONS	DRAWN BY: C. YORK    DATE: 2007/09/12 CHECKED BY: J. MACNEIL    DATE: 2007/09/12 APPROVED BY: J. MACNEIL    DATE: 2007/09/12	TITLE: 8.00/.315 SR BTS, PC, #10 AWG ASSY, 600V, 30A, SS SCREW		
			MATERIAL NO. SEE CHART SIZE B THIS DRAWING CONTAINS INFORMATION THAT IS PROPRIETARY TO MOLEX INCORPORATED AND SHOULD NOT BE USED WITHOUT WRITTEN PERMISSION	MOLEX INCORPORATED DOCUMENT NO. SD-39960-003		SHEET NO. 1 OF 1