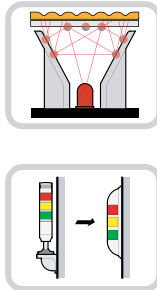




PWE Series

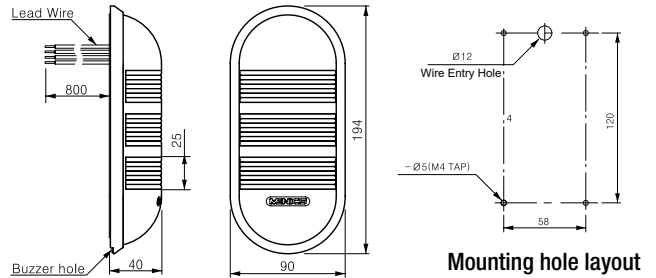
90mm Wall Mounting Semicircular LED Signal Light

- 1~3 colors
- Slim Profile Wall Mount
- Easy Mounted vertically and horizontally
- Steady and flashing lights
- Vibration and moisture resistant



Dimensions

unit: mm



Ordering Information

PWE C F - 3 02 - RYG
 ① ② ③ ④ ⑤

| | | |
|-------------------------------------|---------|------------------------------|
| ① Housing Color | no mark | Cream |
| | C | Chrome |
| ② Light Style | | Steady |
| | F | Steady & Flashing |
| | B | Steady with Audible Alarm |
| | Z | Steady & Flashing with Alarm |
| ③ Number of Stacks | 1 | 1 Light |
| | 2 | 2 Lights |
| | 3 | 3 Lights |
| ④ Power Supply | 01 | 12V AC/DC |
| | 02 | 24V AC/DC |
| | FF | 90~240V AC |
| ⑤ Lens Colors (top to bottom) | R | Red |
| | Y | Yellow |
| | G | Green |

Specifications

| | |
|-----------------------|-----------------------------|
| Alarm Sound Level | 80 ± 5dB at 1m |
| Flashing rate | Approx. 80 ± 5 flashes/min. |
| Rating | IP65 (IP52 with buzzer) |
| Vibration | 0.75mm at 10~55Hz |
| Ambient Temp. | -20°C~40°C |
| Ambient Humidity | 45~85% RH |
| Recommended Wire Size | 1007 UL / 22 AWG |

Current Consumption

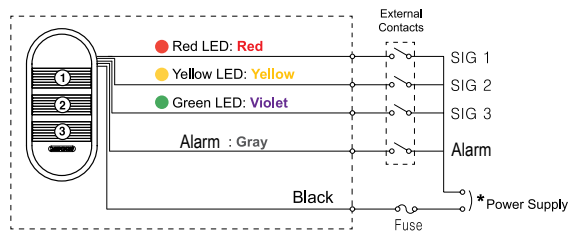
| PowerSupply | 12VAC/DC | | 24VAC/DC | | 90~240VAC | |
|-------------------|----------|--------|----------|--------|-----------|--------|
| | General | Buzzer | General | Buzzer | General | Buzzer |
| 1stack-Red | 0.06A | 0.25A | 0.07A | 0.16A | 0.02A | 0.05A |
| 2stacks-Red+Green | 0.12A | 0.30A | 0.12A | 0.20A | 0.03A | 0.13A |
| 3stacks-R+Y+G | 0.17A | 0.37A | 0.15A | 0.27A | 0.04A | 0.18A |

Wiring Diagram

12V & 24V AC/DC

PWE-□01-□□□ PWEB-□01-□□□
 PWE-□02-□□□ PWEB-□02-□□□

Steady Lights (with Audible Alarm)

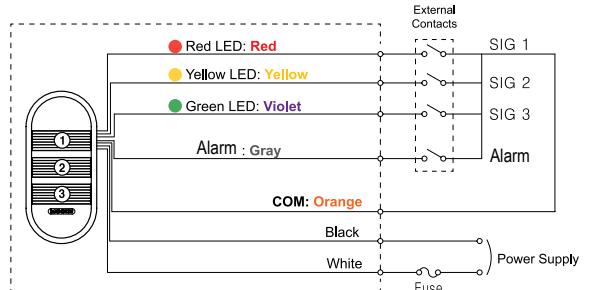


* No polarity for DC applications.

90-240V AC

PWE-□FF-□□□ PWEB-□FF-□□□

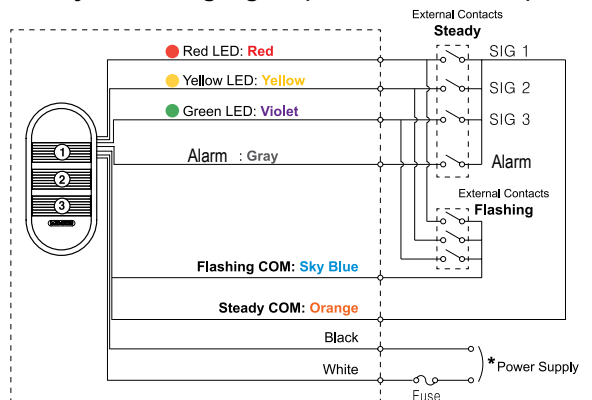
Steady Lights (with Audible Alarm)



90-240V AC, 24V AC/DC

PWEF-□01-□□□ PWEZ-□01-□□□
 PWEF-□02-□□□ PWEZ-□02-□□□
 PWEF-□FF-□□□ PWEZ-□FF-□□□

Steady & Flashing Lights (with Audible Alarm)



* No polarity for DC applications.