

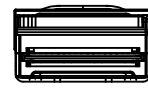
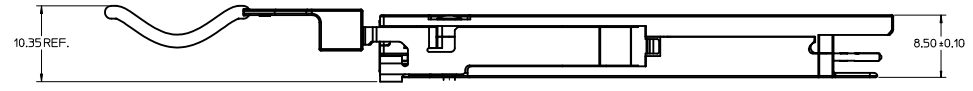
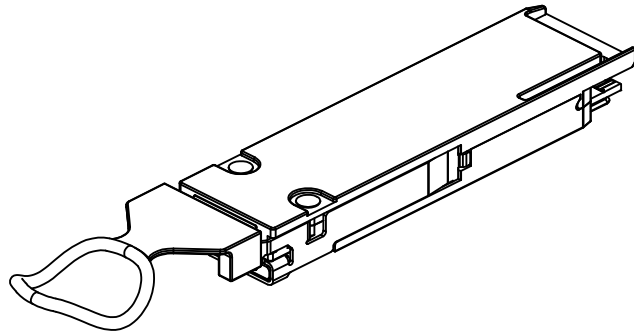
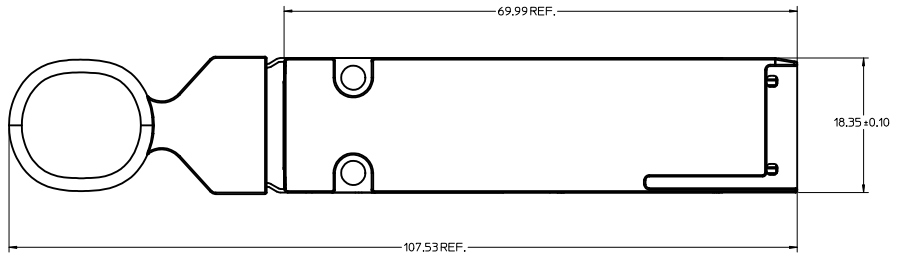
1. MATES TO QSFP COMPONENTS WHICH COMPLY TO STANDARD MSA DIMENSION SPECIFICATIONS.
2. BACKSHELLS: ZINC DIE CAST WITH BRIGHT NICKEL PLATING
DELATCH: STAINLESS STEEL WITH OVERMOLDED NYLON
RIVETS: STAINLESS STEEL
4. 100 OHM IMPEDANCE
5. SUPPORTS SERIAL ID FUNCTIONALITY
6. 3.3V SUPPLY
7. HOT PLUGGABLE
8. THIS PRODUCT MEETS THE RESTRICTION OF HAZARDOUS SUBSTANCES IN ELECTRICAL AND ELECTRONIC EQUIPMENT (RoHS) DIRECTIVE (2002/95/EC)

PART NUMBER	LABEL COLOR	PART DESCRIPTION
74763-0010	LIGHT BLUE	QSFP LOOPBACK ADAPTER WITH SERIAL ID, 0dB
74763-0015	LIGHT GREEN	QSFP LOOPBACK ADAPTER WITH SERIAL ID, 5dB
74763-0020	LIGHT BLUE	QSFP UNIVERSAL LOOPBACK ADAPTER WITH SERIAL ID, 0dB, 12C PORT EXPANDER
74763-0025	LIGHT GREEN	QSFP UNIVERSAL LOOPBACK ADAPTER WITH SERIAL ID, 5dB, 12C PORT EXPANDER

ADDED BOSS BKSHL EC NO: USY2012-0377 DRAWN BY: CHYKCHIRSCHY 2011/10/04 CHECKED BY: CHYKCHIRSCHY 2011/10/04 APPROVED BY: APPRKRKHAN 2011/10/16	QUALITY SYMBOLS	GENERAL TOLERANCES (UNLESS SPECIFIED)	DIMENSION STYLE	SCALE	DESIGN UNITS	THIRD ANGLE PROJECTION	
	▼=0 ▽=0	mm INCH	MM ONLY	1:1	METRIC		
	4 PLACES ±---± 3 PLACES ±---± 2 PLACES ±---± 1 PLACE ±---±	ANGULAR ±---°	DRAWN BY: CHIRSCHY 2007/04/18 CHECKED BY: BRUSSELL 2007/04/18 APPROVED BY: RMAHMOOD 2007/04/18	DATE	DATE	DATE	TITLE: QSFP LOOPBACK ADAPTER
	DRAFT WHERE APPLICABLE MUST REMAIN WITHIN DIMENSIONS	SEE CHART	MATERIAL NO. DOCUMENT NO.	SD-74763-0010	MOLEX INCORPORATED	SHEET NO. 1 OF 2	

DATE	REV	CHANGES
2008/04/18	A	INITIAL RELEASE
2008/05/19	B	1. UPDATED LABEL COLOR INFO FOR PART NUMBERS 74763-0020 AND -0025 IN CHART ON PAGE 1
2008/07/04	C	1. REMOVED "REF" AND ADDED TOLERANCES TO DIMENSIONS 8.50 AND 18.35
		2. REMOVED BLOCK TOLERANCES FROM TITLE BLOCK
		3. UPDATED LOOPBACK WITH "BOSS" BACKSHELL

ADDED BOSS BKSHL EC NO: USY2012-0377 DRAWN BY: CHYD CHECKED BY: CHYD APPROVED BY: RPKHAN	2008/07/04 2011/10/04 2011/10/16	QUALITY SYMBOLS ▽=0 ▽=0	GENERAL TOLERANCES (UNLESS SPECIFIED)		DIMENSION STYLE MM ONLY	SCALE 1:1	DESIGN UNITS METRIC	THIRD ANGLE PROJECTION	
	4 PLACES #---# INCH 3 PLACES #---# INCH 2 PLACES #---# INCH 1 PLACE #---# INCH		mm INCH		DRAWN BY: CHIRSCHY DATE: 2007/04/18	TITLE: QSFP LOOPBACK ADAPTER			
	ANGULAR ±----°		DRAFT WHERE APPLICABLE MUST REMAIN WITHIN DIMENSIONS		CHECKED BY: BRUSSELL DATE: 2007/04/18	APPROVED BY: RMAHMOOD DATE: 2007/04/18			
	WATERIAL NO: SEE CHART		MATERIAL NO: DOCUMENT NO: SD-74763-0010		MOLEX INCORPORATED		SHEET NO: 2 OF 2		



1. MATES TO QSFP COMPONENTS WHICH COMPLY TO STANDARD MSA DIMENSION SPECIFICATIONS.
2. BACKSHELLS: ZINC DIE CAST WITH BRIGHT NICKEL PLATING
DELATCH: STAINLESS STEEL WITH OVERMOLDED NYLON
RIVETS: STAINLESS STEEL
4. 100 OHM IMPEDANCE
5. SUPPORTS SERIAL ID FUNCTIONALITY
6. 3.3V SUPPLY
7. HOT PLUGGABLE
8. THIS PRODUCT MEETS THE RESTRICTION OF HAZARDOUS SUBSTANCES IN ELECTRICAL AND ELECTRONIC EQUIPMENT (RoHS) DIRECTIVE (2002/95/EC)

PART NUMBER	LABEL COLOR	PART DESCRIPTION
74763-0010	LIGHT BLUE	QSFP LOOPBACK ADAPTER WITH SERIAL ID, 0dB
74763-0015	LIGHT GREEN	QSFP LOOPBACK ADAPTER WITH SERIAL ID, 5dB
74763-0020	LIGHT BLUE	QSFP UNIVERSAL LOOPBACK ADAPTER WITH SERIAL ID, 0dB, 12C PORT EXPANDER
74763-0025	LIGHT GREEN	QSFP UNIVERSAL LOOPBACK ADAPTER WITH SERIAL ID, 5dB, 12C PORT EXPANDER

ADDED BOSS BKSHL EC NO: USY2012-0377 DRAWN BY: CHYKCHIRSCHY 2008/07/04 CHECKED BY: CHYKCHIRSCHY 2011/10/04 APPROVED BY: APPRKRKHAN 2011/10/16	QUALITY SYMBOLS	GENERAL TOLERANCES (UNLESS SPECIFIED)	DIMENSION STYLE	SCALE	DESIGN UNITS	THIRD ANGLE PROJECTION
	▼=0 ▽=0	mm INCH	MM ONLY	1:1	METRIC	
	4 PLACES ±---± 3 PLACES ±---± 2 PLACES ±---± 1 PLACE ±---±	DRAWN BY: CHIRSCHY 2007/04/18 CHECKED BY: BRUSSELL 2007/04/18 APPROVED BY: RMAHMOOD 2007/04/18	DATE: 2007/04/18 DATE: 2007/04/18 DATE: 2007/04/18	TITLE: QSFP LOOPBACK ADAPTER		
	DRAFT WHERE APPLICABLE MUST REMAIN WITHIN DIMENSIONS	MATERIAL NO. SEE CHART SIZE D	DOCUMENT NO. SD-74763-0010	MOLEX INCORPORATED SHEET NO. 1 OF 2		

DATE	REV	CHANGES
2008/04/18	A	INITIAL RELEASE
2008/05/19	B	1. UPDATED LABEL COLOR INFO FOR PART NUMBERS 74763-0020 AND -0025 IN CHART ON PAGE 1
2008/07/04	C	1. REMOVED "REF" AND ADDED TOLERANCES TO DIMENSIONS 8.50 AND 18.35
		2. REMOVED BLOCK TOLERANCES FROM TITLE BLOCK
		3. UPDATED LOOPBACK WITH "BOSS" BACKSHELL

ADDED BOSS BKSHL EC NO: USY2012-0377 DRAWN BY: CHYD CHECKED BY: CHYD APPROVED BY: RPKHAN	2008/07/04 2011/10/04 2011/10/16	QUALITY SYMBOLS ▽=0 ▽=0	GENERAL TOLERANCES (UNLESS SPECIFIED)		DIMENSION STYLE MM ONLY	SCALE 1:1	DESIGN UNITS METRIC	THIRD ANGLE PROJECTION	
	4 PLACES #---# INCH 3 PLACES #---# INCH 2 PLACES #---# INCH 1 PLACE #---# INCH		mm INCH		DRAWN BY: CHIRSCHY DATE: 2007/04/18	TITLE: QSFP LOOPBACK ADAPTER			
	ANGULAR ±---°		DRAFT WHERE APPLICABLE MUST REMAIN WITHIN DIMENSIONS		CHECKED BY: BRUSSELL DATE: 2007/04/18	APPROVED BY: RMAHMOOD DATE: 2007/04/18			
	WATERIAL NO. SEE CHART		MATERIAL NO. SEE CHART		MOLEX INCORPORATED		DOCUMENT NO. SD-74763-0010		SHEET NO. 2 OF 2