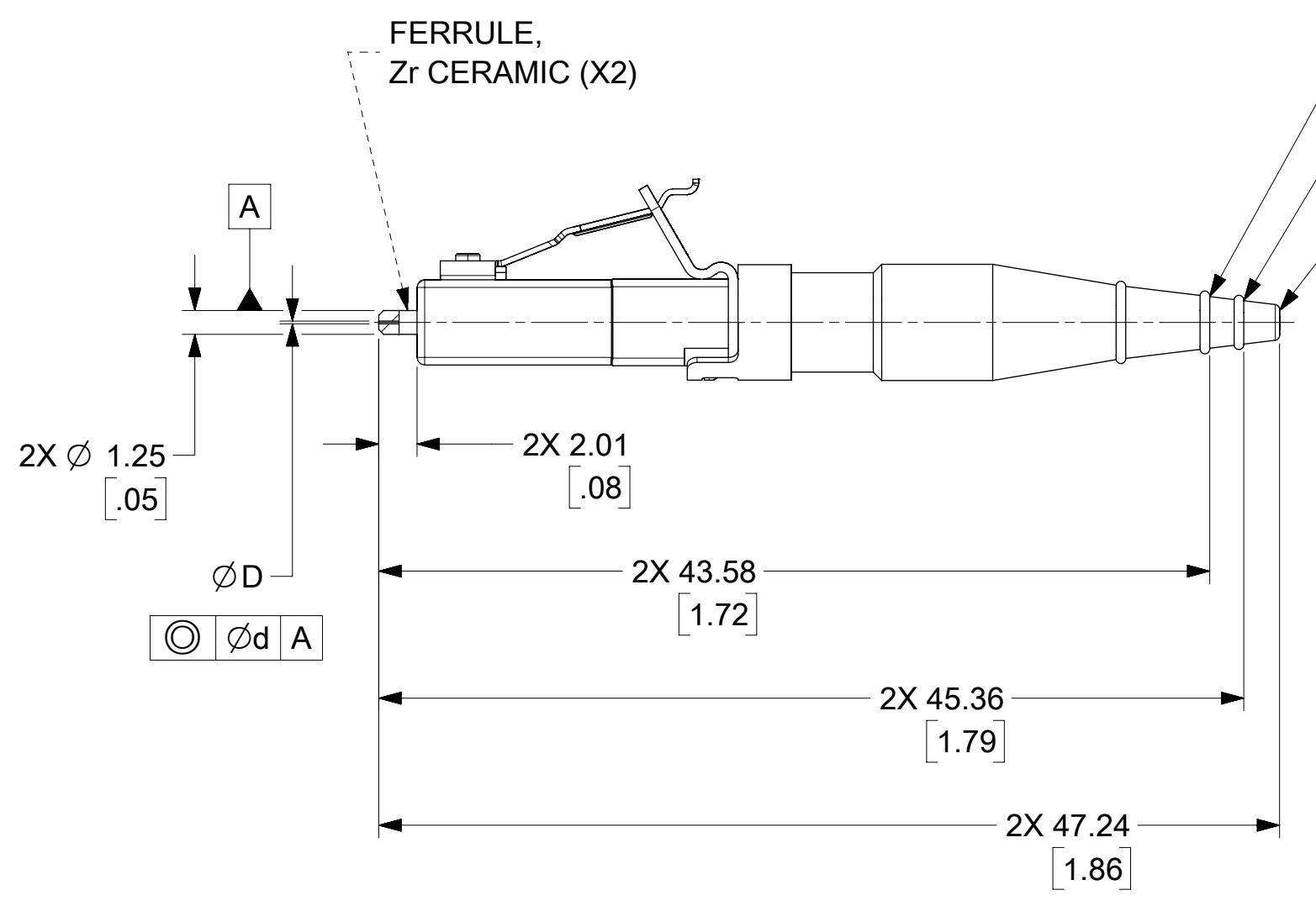
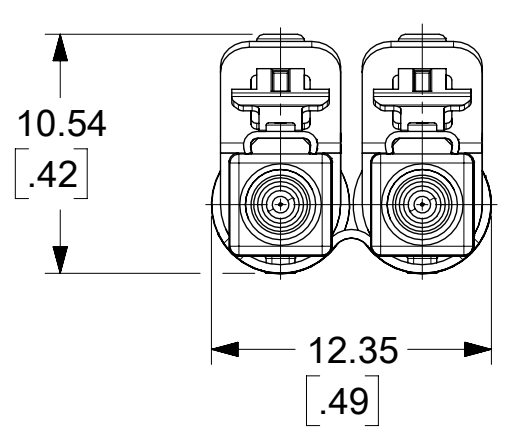
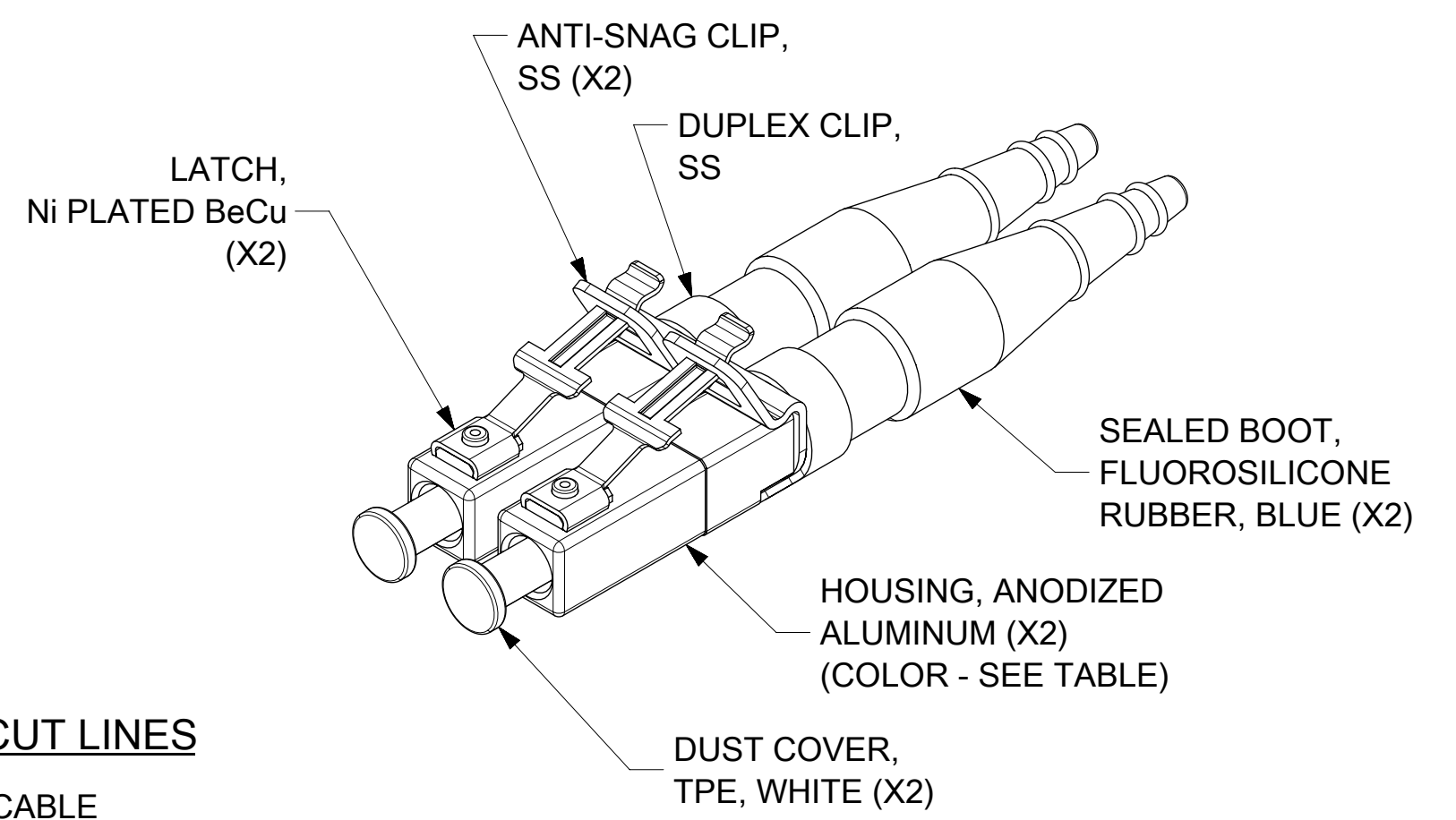
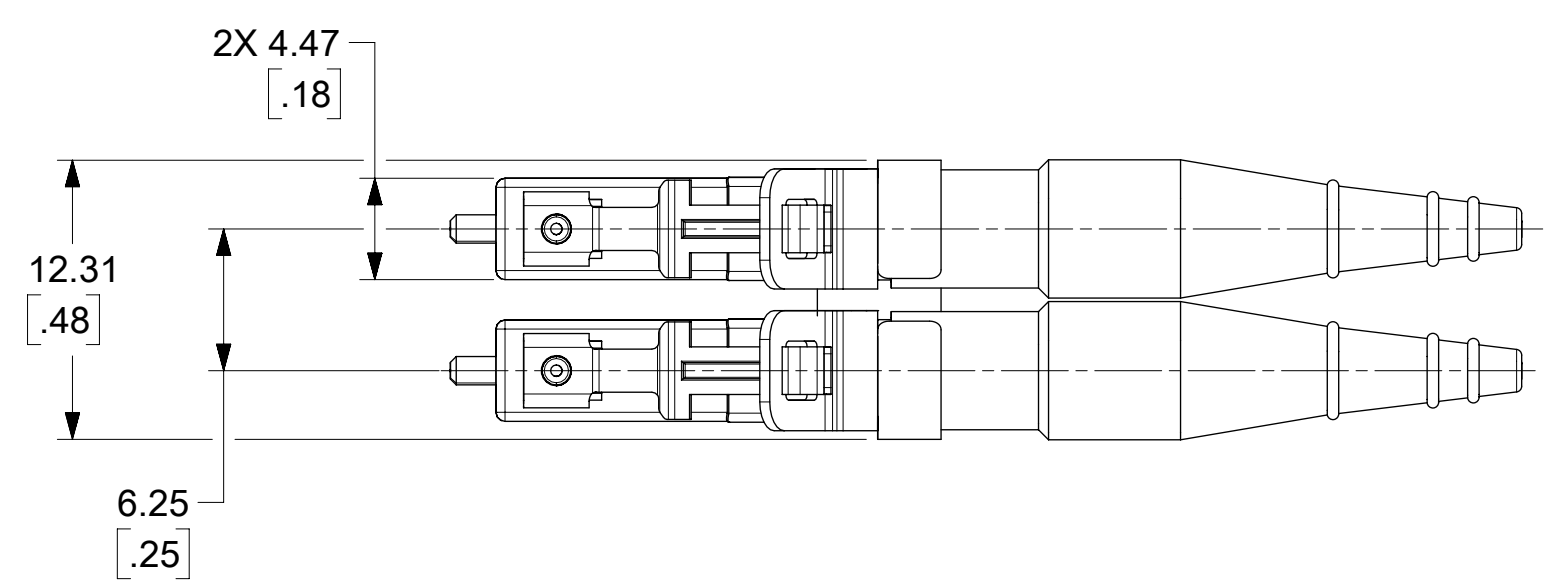


CONNECTOR P/N	CONNECTOR TYPE	HOUSING COLOR	ØD (µm)	Ød (µm)
1063722300	Single Mode	Blue	125.5 +0.5/-0	0.5
1063722301			126.0 +1.0/-0	1.0
1063722500	Multimode	Gold	127.0 +3.0/-0	3.0



NOTES:

- INTERFACE DIMENSIONS COMPLY TO IEC 61754-20 TYPE LC CONNECTOR FAMILY.
- BOOT TO BE CUT AT LINES AS SHOWN DEPENDING ON THE CABLE SIZE.
- FOR TERMINATION PROCEDURE USE STANDARD LC TERMINATION PROCEDURE (RECOMMENDED CRIMP TOOL P/N 867445000)
- CONNECTOR TESTED TO PASS FOLLOWING STANDARDS:
 - TELCORDIA GR-326-CORE (REFER TO TEST REPORT TR9033)
 - IPC67 (REFER TO TEST REPORT ER-00290)

CONNECTOR IS SOLD AS A KIT. CUSTOMER IS RESPONSIBLE TO PERFORM THEIR OWN TEST TO VERIFY THEIR TERMINATION PROCESS AS A FINISHED PRODUCT.
- CONNECTOR TO BE USED WITH THE FOLLOWING SEALED ADAPTERS: P/N 1061270300, 1061270320, 1061270150, and 1061270160.

FUNCTIONAL SYMBOLS	THIS DRAWING CONTAINS INFORMATION THAT IS PROPRIETARY TO MOLEX ELECTRONIC TECHNOLOGIES, LLC AND SHOULD NOT BE USED WITHOUT WRITTEN PERMISSION		CURRENT REV DESC:		molex
	DIMENSION UNITS	SCALE			
$\frac{E}{A} = 0$	MM/INCH	3:1			LC2+ METAL SEALED CONNECTOR, DUPLEX
$\frac{E}{C} = 0$	GENERAL TOLERANCES (UNLESS SPECIFIED)				
$\frac{E}{P} = 0$	ANGULAR TOL ± 1.0°				PRODUCT CUSTOMER DRAWING
DIVISIONAL SYMBOLS	4 PLACES	±	EC NO: 655686		
	3 PLACES	±	DRWN: IGUMIN 2021/02/15		
	2 PLACES	±	CHK'D: GGENCHANOK 2021/02/18		
	1 PLACE	±	APPR: GGENCHANOK 2021/02/18		
	0 PLACES	±	INITIAL REVISION:		
	DRAFT WHERE APPLICABLE MUST REMAIN WITHIN DIMENSIONS		DRWN: SERNST 2010/05/07		DOCUMENT NUMBER
	THIRD ANGLE PROJECTION		APPR: WCHEN 2010/06/07		SD-106372-2300
	DRAWING		SERIES		DOC TYPE
	C-SIZE		106372		PSD
	MATERIAL NUMBER		CUSTOMER		DOC PART
	SEE TABLE				001
	SHEET NUMBER				REVISION
	1 OF 1				B1