

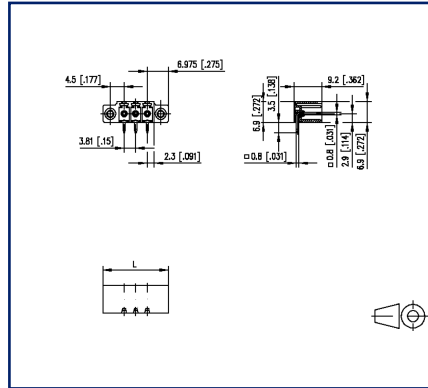
Data sheet

PT094xxHBBF Type 392

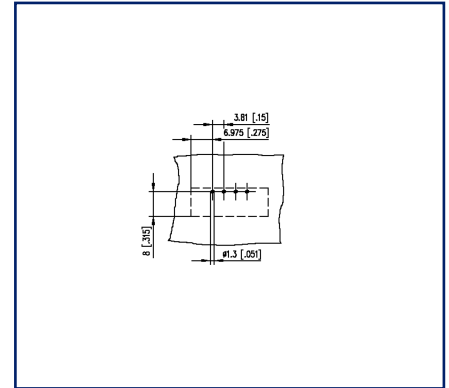
Illustrations



Dimensional drawing



Drill pattern



See enlarged drawings at the end of document

Product specification

- pin header, solderable
- centerline 3.81 mm, direction of connection 90°
- closed ends
- color black, mounting flange
- codeable




Technical Data

General Data

Solder pin length	3.5 mm		
min. number of poles	2		
max. number of poles	24		
Insulating material class	CTI 600		
clearance/creepage dist.	3.01 mm		
Protection category	IP00		
Rated current	9 A		
Overvoltage category	III	III	II
Pollution degree	3	2	2
Rated voltage	200 V	500 V	500 V
Rated test voltage	4 kV	4 kV	4 kV

Approvals

 V / A	300 / 8
approval UL - File No.	E121004
1.5 mm ²	160 V / 2.5 kV / 9 A / 0.8 x 0.8 mm

Material

insulating material	PA66
flammability class	V0
contact pin material	CuFe
contact pin surface	Ni + Sn
Thread insert	CuZnPb
Glow-Wire Flammability GWFI	960 °C acc. to IEC 60695-2-12
Glow-Wire Flammability GWIT	775 °C acc. to IEC 60695-2-13
REACH	compliant
REACH - substance (SVHC)	Lead / 7439-92-1

Climatic Data

upper limit temperature	105 °C
lower limit temperature	-40 °C

general

Tolerance	ISO 2768 -mH
Solderability	Acc. to JEDEC JESD22-B102E 245°C/5s

U | Contact

Data sheet

PT094xxHBBF Type 392

Page 3/6

P/N

313921xx

xx=number of poles

2022/12/20

Version: B

Accessories

P/N	Designation
720293-01-2	Coding Star for pin header, centerline 3.81 mm



U | Contact

Data sheet

PT094xxHBBF Type 392

Page 4/6

P/N

313921xx

xx=number of poles

2022/12/20

Version: B

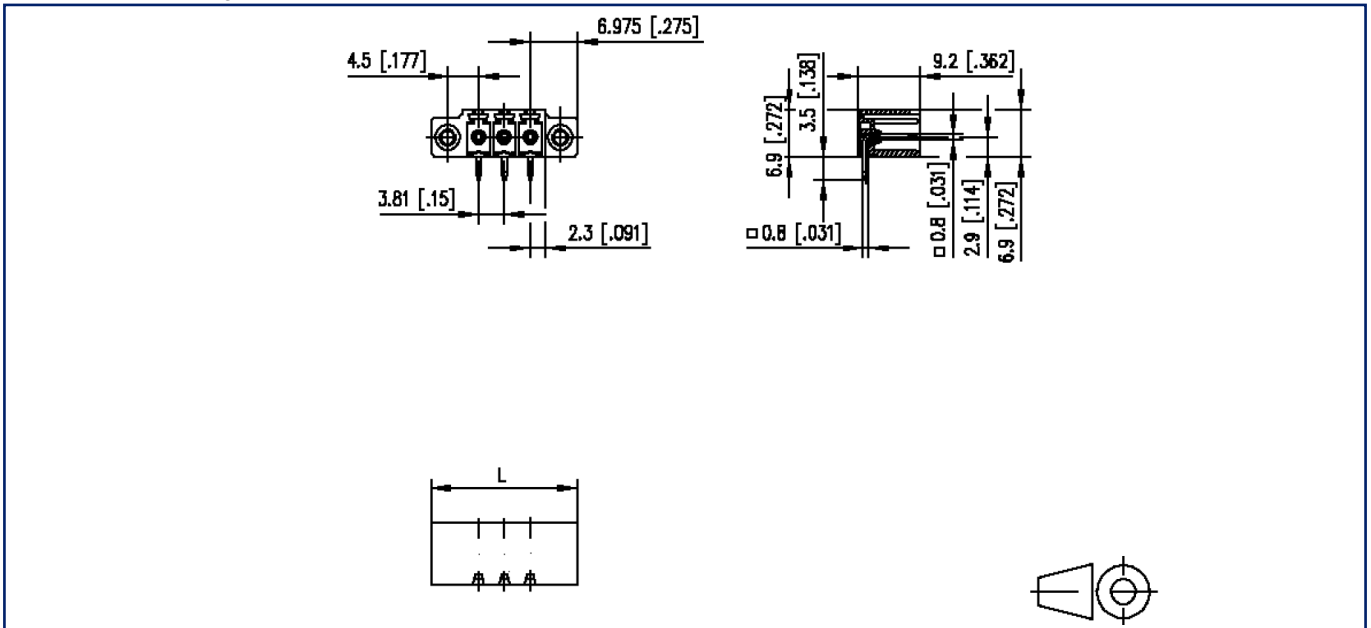
Counterpart of

P/N	Designation
313791	RP034xxVBLF Type 379
ASP084	SP064xxVGNF ASP084



Illustrations

Dimensional drawing



$L = (\text{pole size} - 1) \times \text{centerline} + 13.95 \text{ mm} [0.549]$



Illustrations

Drill pattern

