

# IS31LT3360 HBLEED DRIVER DEMO BOARD GUIDE

## DESCRIPTION

The IS31LT3360 is a continuous mode inductive step-down converter, designed for driving a single LED or multiple series connected LEDs efficiently from a voltage source higher than the LED voltage. The chip operates from an input supply between 6V and 40V and provides an externally adjustable output current of up to 1.2A.

The IS31LT3360 includes an integrated output switch and a high-side output current sensing circuit, which uses an external resistor to set the nominal average output current.

Output current can be adjusted linearly by applying an external control signal to the ADJ pin. The ADJ pin will accept either a DC voltage or a PWM waveform. This will provide either a continuous or a gated output current.

Applying a voltage of 0.2V or lower to the ADJ pin turns the output off and switches the chip into a low current standby state.

## FEATURES

- Internal 40V power switch
- Wide input voltage range: 6V to 40V
- Up to 1.2A output current
- High efficiency (up to 98% )
- Typical 1200:1 dimming rate
- Typical 3% output current accuracy
- Single pin on/off and brightness control using DC voltage or PWM
- Inherent open-circuit LED protection
- Thermal shutdown protection circuitry

## QUICK START

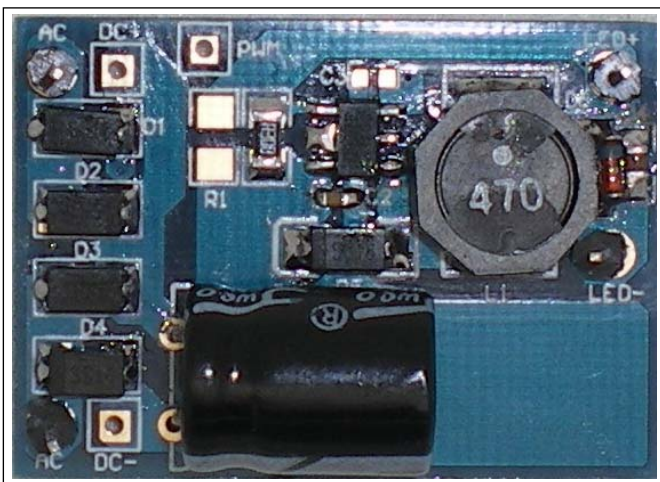


Figure 1: Photo of IS31LT3360 Evaluation Board

## RECOMMENDED EQUIPMENT

- 60VDC power supply
- LED panel (5 WLEDs, 10 LEDs in series)

## RECOMMENDED INPUT AND OUTPUT RATINGS

- Input: 6~40VDC
- Output: 1~10 LEDs in series/1A

**Note:** The input voltage must be 2V higher than the output voltage (total  $V_F$ ).

## ABSOLUTE MAXIMUM RATINGS

- Input voltage  $\leq$  40VDC

**Caution:** Do not exceed the conditions listed above, otherwise the board will be damaged.

## PROCEDURE

The IS31LT3360 DEMO Board is fully assembled and tested. Follow the steps listed below to verify board operation.

**Caution:** Do not turn on the power supply until all connections are completed.

- 1) Connect the terminals of the power supply to the AC1 and AC2 pin (If the board don't have the rectifier (D1-D4), connect the positive terminal of the power supply to the DC+ of the board and the negative terminal of power supply to the DC- of the board) .
- 2) Connect the negative of the LED panel (LED arrays) to the LED- terminal.
- 3) Connect the positive of the LED panel (LED arrays) to the LED+ terminal.
- 4) Turn on the power supply and the LED panel (LED arrays) will light.

## ORDER INFORMATION

Part No.	Temperature Range	Package
IS31LT3360-SDLS3-EBSG	-40°C to +105°C (Industrial)	SOT89-5, Lead-free

For pricing, delivery, and ordering information, please contact Lumissil's analog marketing team at [analog@lumissil.com](mailto:analog@lumissil.com) or (408) 969-6600.

## DETAILED DESCRIPTION

### LED Current Control

The nominal average output current in the LED(s) is determined by the value of the external current sense resistor ( $R_S$ ) connected between  $V_{IN}$  and  $I_{SENSE}$  and is given by:

$$I_{OUT\_NOM} = 0.1/R_S \text{ [for } R_S > 0.082\Omega \text{]}$$

The table below gives values of nominal average output current for several preferred values of current setting resistor ( $R_S$ ) in the typical application circuit shown on Page 1:

$R_S$ ( $\Omega$ )	Nominal Average Output Current (mA)
0.082	1200
0.1	1000
0.15	667
0.3	333

$V_{SENSE}$  is divided into two ranges to improve current accuracy, please refer to bin information on Page 3.

The above values assume that the ADJ pin is floating and at a nominal voltage of  $V_{REF} = 1.2V$ .

Note that  $R_S = 0.082\Omega$  is the minimum allowed value of sense resistor under these conditions to maintain switch current below the specified maximum value.

It is possible to use different values of  $R_S$  if the ADJ pin is driven from an external voltage.

### Inductor selection

Recommended inductor values are in the range 47 $\mu$ H to 220 $\mu$ H.

Higher values of inductance are recommended at higher supply voltages and low output current in order to minimize errors due to switching delays, which result in increased ripple and lower efficiency. Higher values of inductance also result in a smaller change in

output current over the supply voltage range. The inductor should be mounted as close to LX pin as possible with low resistance connections to LX and  $V_{IN}$  pins.

## PCB LAYOUT CONSIDERATION

### Decoupling Capacitors And Coil

It is particularly important to mount the coil and the input decoupling capacitor close to the chip to minimize parasitic resistance and inductance, which will degrade efficiency. The input decoupling capacitor (0.1 $\mu$ F fixed) must be placed as close to the  $V_{IN}$  and GND pins as possible. It is also important to take account of any trace resistance in series with current sense resistor  $R_S$ .

### LX Pin

The LX pin of the chip is a fast switching node, so PCB traces should be kept as short as possible. To minimize ground 'bounce', the ground pin of the chip should be soldered directly to the ground plane.

### ADJ Pin

The ADJ pin is a high impedance input, so when left floating, PCB traces to this pin should be as short as possible to reduce noise pickup. ADJ pin can also be connected to a voltage between 1.2V~5V. In this case, the internal circuit will clamp the output current at the value which is set by  $V_{ADJ} = 1.2V$ .

### High Voltage Traces

Avoid running any high voltage traces close to the ADJ pin, to reduce the risk of leakage due to board contamination. Any such leakage may raise the ADJ pin voltage and cause excessive output current. A ground ring placed around the ADJ pin will minimize changes in output current under these conditions.

# IS31LT3360 HBLED DRIVER DEMO BOARD GUIDE

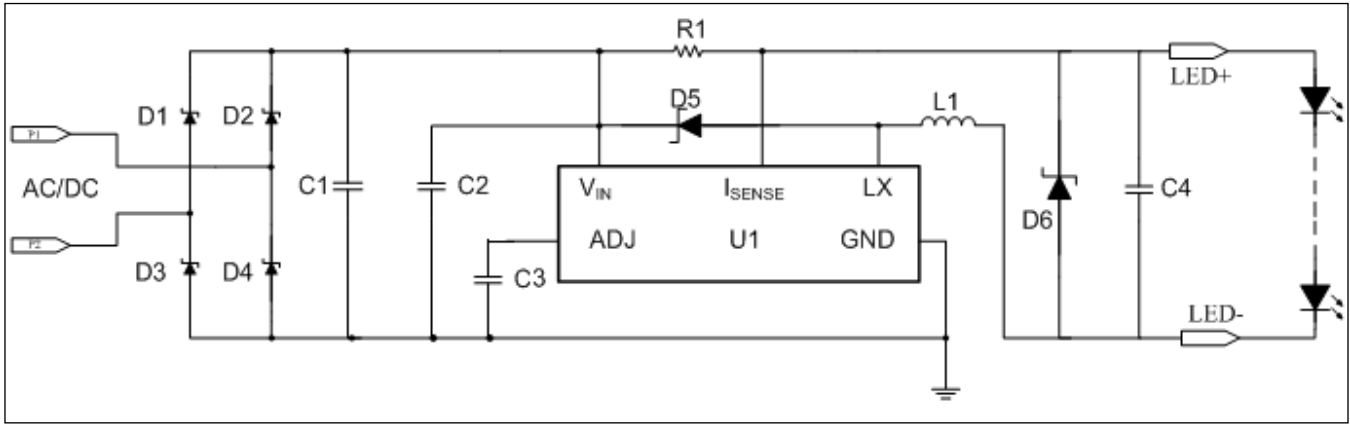


Figure 2: IS31LT3360 Demo Board Schematic

## BILL OF MATERIALS

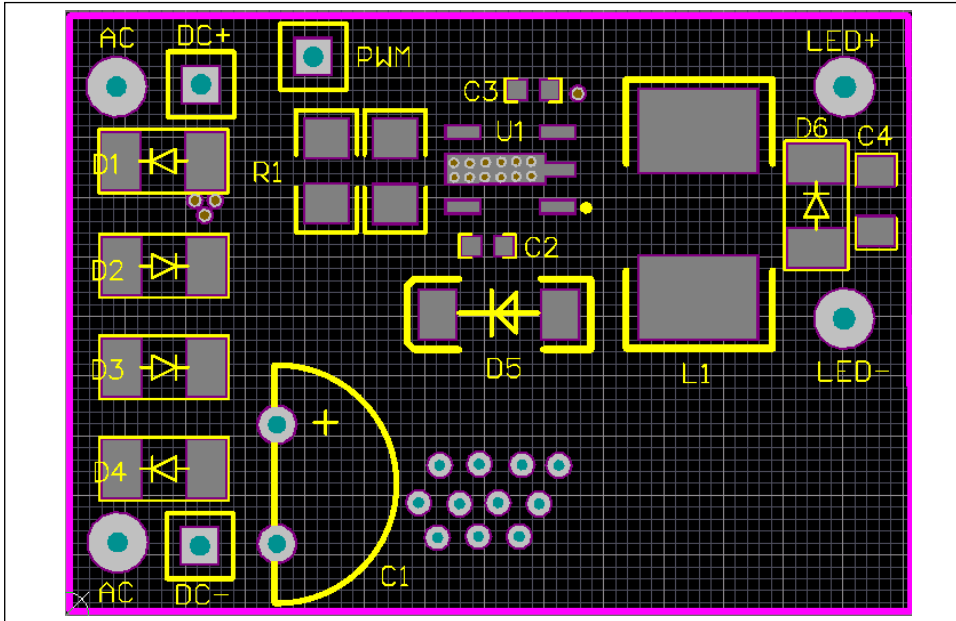
Name	Symbol	Description	Qty	Supplier	Part No.
IC	U1	LED driver	1	Lumissil	IS31LT3360
SMD Resistor	R1	RES,0.5R,±1%,0805	1		
AL Capacitor	C1	CAP,220µF,50V	1		
SMD Capacitor	C2	CAP,100nF,50V	1		
SMD Capacitor	C3	CAP,10nF,50V	1		
SMD Capacitor	C4	CAP,1µF,50V	1		
Schottky Diode	D1~D5	Schottky,SS26,2A,60V	5		
Zener Diode	D6	39V,0.25W	1		
SMD Inductor	L1	47µH,I <sub>SAT</sub> ≥1.5A	1		

Bill of materials refers to Figure 2 above.

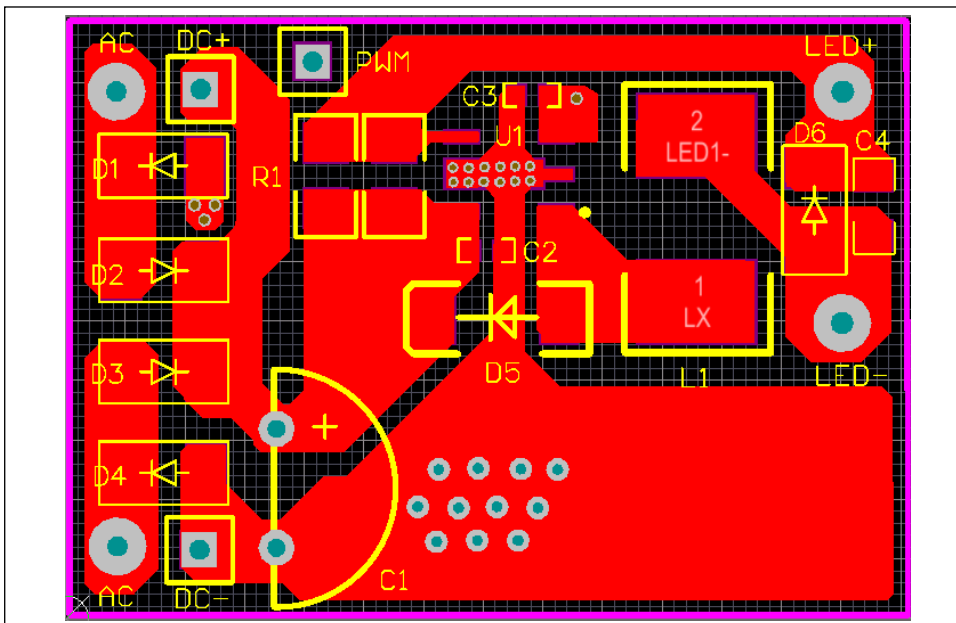
Note 1: C3 is an optional component. C3 can filter the noise coupling to the ADJ pin.

Note 2: D6 is an optional component. It can protect the IC as removing the loading with the power on.

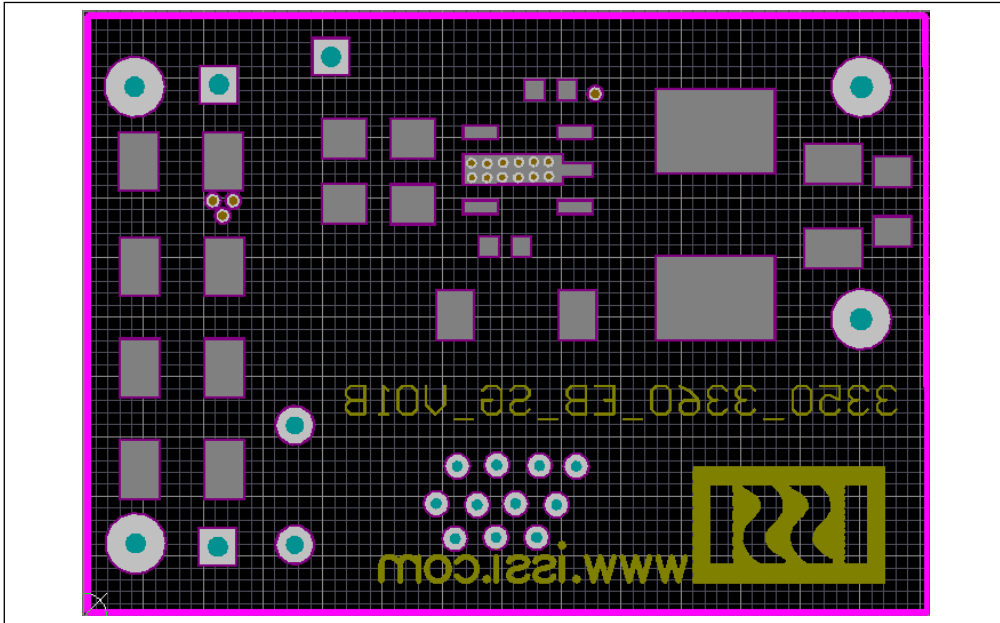
**IS31LT3360 HBLEED DRIVER DEMO BOARD GUIDE**



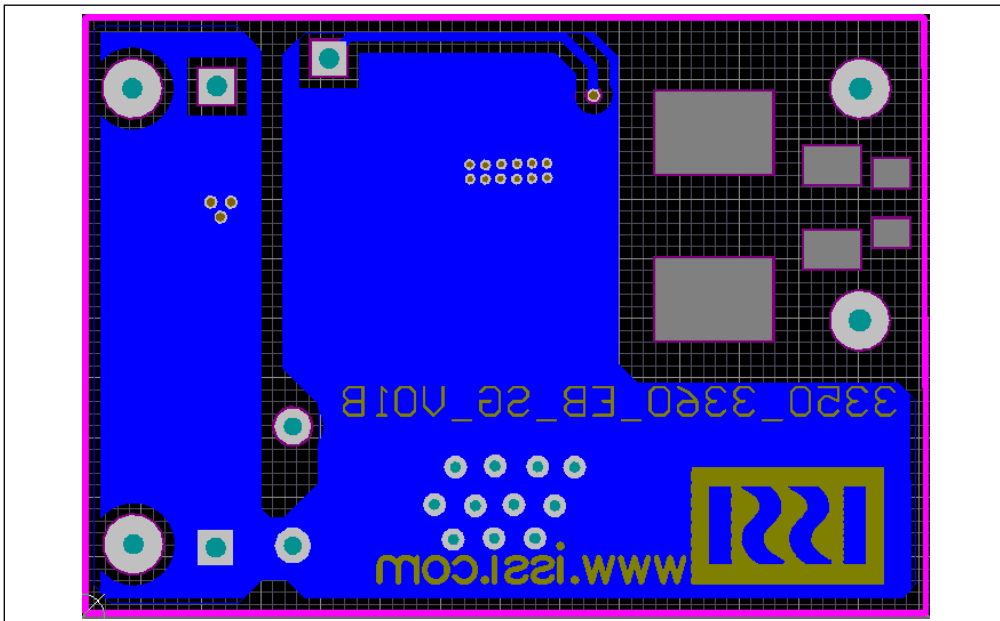
*Figure 3: Board Component Placement Guide - Top Layer*



*Figure 4: Board PCB Layout - Top Layer*



**Figure 5: Board Component Placement Guide - Bottom Layer**



**Figure 6: Board PCB Layout - Bottom Layer**

Copyright © 2012 Lumissil Microsystems. All rights reserved. Lumissil Microsystems reserves the right to make changes to this specification and its products at any time without notice. Lumissil Microsystems assumes no liability arising out of the application or use of any information, products or services described herein. Customers are advised to obtain the latest version of this device specification before relying on any published information and before placing orders for products.

Lumissil Microsystems does not recommend the use of any of its products in life support applications where the failure or malfunction of the product can reasonably be expected to cause failure of the life support system or to significantly affect its safety or effectiveness. Products are not authorized for use in such applications unless Lumissil Microsystems receives written assurance to its satisfaction, that:

- a.) the risk of injury or damage has been minimized;
- b.) the user assume all such risks; and
- c.) potential liability of Lumissil Microsystems is adequately protected under the circumstances