

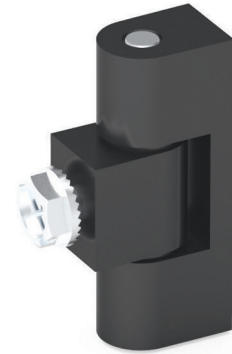


693

SIDE HINGE



LH/RH



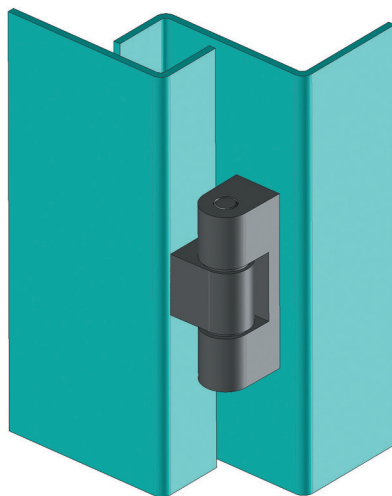
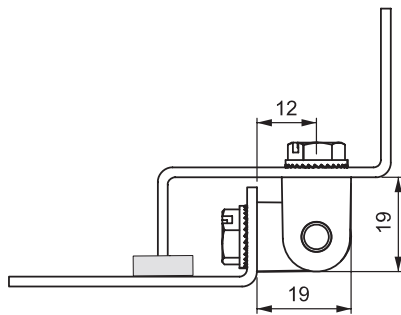
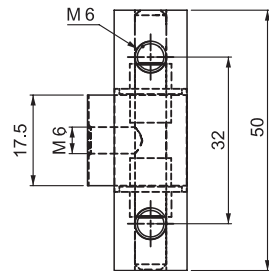
- Side-mounted hinge
- Stainless steel hinge pin
- Supplied assembled

APPLICATIONS

Electric panels, machinery covers

MATERIAL

Zamak DIN-EN 1774-ZnAl4Cu1  
PIN: Stainless Steel



PRODUCT CODE

693 - 1 - F

GROUP CODE MATERIAL FINISH

MATERIAL	M	FINISH	F
Zamak	1	Chrome	1
		Black coated	2

Hinge Rotation Angle

