

MATERIAL

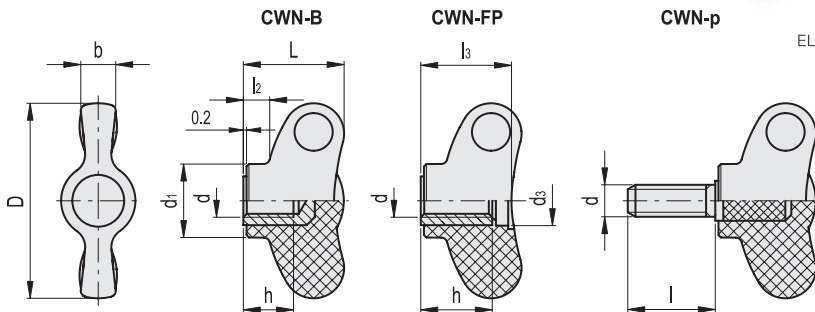
Glass-fibre reinforced polyamide based (PA) technopolymer, black colour, matte finish.

STANDARD EXECUTIONS

- **CWN-B:** brass boss, threaded blind hole.
- **CWN-FP:** brass boss, threaded pass-through hole.
- **CWN-p:** zinc-plated steel threaded stud with chamfered flat end as in UNI 947 : ISO 4753 (see Technical data on page A-10).

ERGONOMY AND DESIGN

The slightly convex marks on the wings offer a point where the fingers can be positioned.



ELESA Original design

| Conversion Table 1 mm = 0.039 inch | |
|---------------------------------------|------|
| D | |
| mm | inch |
| 32 | 1.26 |
| 40 | 1.57 |

CWN-B

| Code | Description | D | d6H | L | d1 | l2 | b | h | ⚖️ |
|------|-------------|----|-----|------|------|-----|-----|----|----|
| 8600 | CWN.32 B-M4 | 32 | M4 | 16.5 | 12 | 3.5 | 6 | 6 | 8 |
| 8601 | CWN.32 B-M5 | 32 | M5 | 16.5 | 12 | 3.5 | 6 | 6 | 7 |
| 8602 | CWN.32 B-M6 | 32 | M6 | 16.5 | 12 | 3.5 | 6 | 8 | 6 |
| 8651 | CWN.40 B-M6 | 40 | M6 | 21 | 13.5 | 4.5 | 6.5 | 12 | 12 |
| 8652 | CWN.40 B-M8 | 40 | M8 | 21 | 13.5 | 4.5 | 6.5 | 13 | 11 |

CWN-FP

| Code | Description | D | d6H | L | d1 | d3 | l2 | l3 | b | h | ⚖️ |
|------|--------------|----|-----|------|------|-----|-----|------|-----|----|----|
| 8605 | CWN.32 FP-M5 | 32 | M5 | 16.5 | 12 | 8 | 3.5 | 14.5 | 6 | 12 | 6 |
| 8606 | CWN.32 FP-M6 | 32 | M6 | 16.5 | 12 | 8 | 3.5 | 14.5 | 6 | 12 | 8 |
| 8656 | CWN.40 FP-M8 | 40 | M8 | 21 | 13.5 | 9.5 | 5 | 19 | 6.5 | 16 | 10 |

CWN-p

| Code | Description | D | d6g | L | d1 | l | l2 | b | ⚖️ |
|------|----------------|----|-----|------|------|----|-----|-----|----|
| 8607 | CWN.32 p-M4x10 | 32 | M4 | 16.5 | 12 | 10 | 3.5 | 6 | 7 |
| 8608 | CWN.32 p-M4x16 | 32 | M4 | 16.5 | 12 | 16 | 3.5 | 6 | 8 |
| 8609 | CWN.32 p-M5x10 | 32 | M5 | 16.5 | 12 | 10 | 3.5 | 6 | 8 |
| 8610 | CWN.32 p-M5x16 | 32 | M5 | 16.5 | 12 | 16 | 3.5 | 6 | 9 |
| 8615 | CWN.32 p-M5x20 | 32 | M5 | 16.5 | 12 | 20 | 3.5 | 6 | 10 |
| 8611 | CWN.32 p-M6x10 | 32 | M6 | 16.5 | 12 | 10 | 3.5 | 6 | 8 |
| 8612 | CWN.32 p-M6x16 | 32 | M6 | 16.5 | 12 | 16 | 3.5 | 6 | 9 |
| 8613 | CWN.32 p-M6x20 | 32 | M6 | 16.5 | 12 | 20 | 3.5 | 6 | 11 |
| 8614 | CWN.32 p-M6x25 | 32 | M6 | 16.5 | 12 | 25 | 3.5 | 6 | 13 |
| 8616 | CWN.32 p-M6x30 | 32 | M6 | 16.5 | 12 | 30 | 3.5 | 6 | 10 |
| 8658 | CWN.40 p-M6x16 | 40 | M6 | 21 | 13.5 | 16 | 4.5 | 6.5 | 11 |
| 8662 | CWN.40 p-M8x16 | 40 | M8 | 21 | 13.5 | 16 | 4.5 | 6.5 | 12 |
| 8663 | CWN.40 p-M8x20 | 40 | M8 | 21 | 13.5 | 20 | 4.5 | 6.5 | 14 |
| 8664 | CWN.40 p-M8x25 | 40 | M8 | 21 | 13.5 | 25 | 4.5 | 6.5 | 17 |
| 8665 | CWN.40 p-M8x30 | 40 | M8 | 21 | 13.5 | 30 | 4.5 | 6.5 | 20 |



Clamping knobs