



Actual size (13 mm x 18 mm)

TiWi5™

802.11 a/b/g/n, Bluetooth®, Bluetooth® Smart, & ANT+ Ready Module

PRODUCT DESCRIPTION

The TiWi5™ is a high-performance combo module providing Wi-Fi capabilities in both the 2.4 GHz and 5.8 GHz bands. This dual-band Wi-Fi® / Bluetooth® module supports single stream WLAN data rates to 65 Mbps and Bluetooth 2.1+EDR and Bluetooth 4.0 (BLE) in a cost effective, pre-certified footprint. Designed to realize the necessary PHY/MAC layers to support WLAN applications in conjunction with a host processor over a SDIO interface.

FEATURES AND BENEFITS

- Dual-band 2.4 GHz and 5.8 GHz operation
- Bluetooth® Smart-Ready (Bluetooth 2.1+EDR, Bluetooth Low Energy 4.0) and ANT+ capable
- Small footprint: 13 mm x 18 mm x 1.9 mm
- Industrial operating temperature: -40° to +85°C
- FCC (USA), IC (Canada) and ETSI (Europe) Module Certification
- On-module TCXO, band-pass filter, and power regulation
- Open source Linux drivers available for Wi-Fi

Practical Applications:

Hospitals and 'high traffic' environments. Medical, Security, HVAC Control, Telematics, and Gateway Design.

TIWI5 MODULE PERFORMANCE

SPECIFICATION	VALUE
Footprint	13 mm x 18 mm x 1.9 mm
Operating Temp	-40 to +85° C
Operating Voltage	3.0 V to 4.8 V
WLAN Transmit Power	+18.3 dBm, 11 Mbps, CCK (b) +14.4 dBm, 54 Mbps, OFDM (g) +12.5 dBm, 65 Mbps, OFDM (n)
WLAN Sensitivity	-88 dBm, 8% PER, 11 Mbps -74 dBm, 10% PER, 54 Mbps -72 dBm, 10% PER, 65 Mbps

For full specifications on TiWi5, please refer to datasheet.

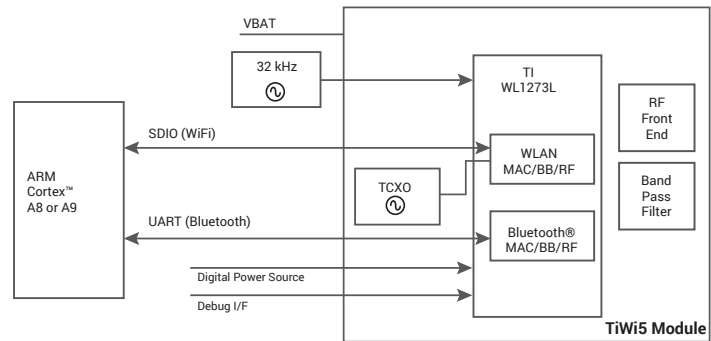
TECHNICAL DETAILS
802.11 a/b/g/n compliant
Bluetooth 2.1+EDR, Power Class 1.5 Compliant
Full support for BLE 4.0 and ANT+

KEY FEATURES
Linux drivers available and supported
Terminal for PCB/Chip antenna feeds
Industrial-rated operating temperature

ORDER INFORMATION

PART NUMBER	DESCRIPTION
450-0053	TiWi5 Module
450-0085	COM6L-T5 TiWi5 Adapter Card with U.FL
450-0109	COM6L to BeagleBoard Adapter

These LSR products are all REACH and EU ROHS compliant.



LSR is the leader in Wireless Product Development, offering true end-to-end solutions through its array of services and technical expertise.



Design Services

LSR delivers complete system solutions from concept to manufacturing. We are your wireless M2M solutions partner, providing complete turnkey services and solutions.

- RF Design/Engineering
- Software/Firmware Design
- Antenna Design
- Industrial Design
- Mechanical Engineering



EMC Testing & Certification

At LSR, we understand it is critical for your company to have a compliant product supported by the appropriate documentation, ready for deployment into the market. LSR provides the experience and knowledge to provide quality test services that meet your timeline and budget.

- On-Site FCC / IC /CE EMC Certification
- Wireless & Antenna Testing
- EMC Testing
- International Testing Services



Wireless Products

LSR offers the fastest, lowest cost way to add wireless capabilities to your product concept. LSR's fully-certified modules and antennas accelerate your time-to-market and support the full breadth of communication technologies, including:

- Wi-Fi®
- Bluetooth®
- Bluetooth® Smart
- ZigBee®
- 802.15.4 & proprietary protocols