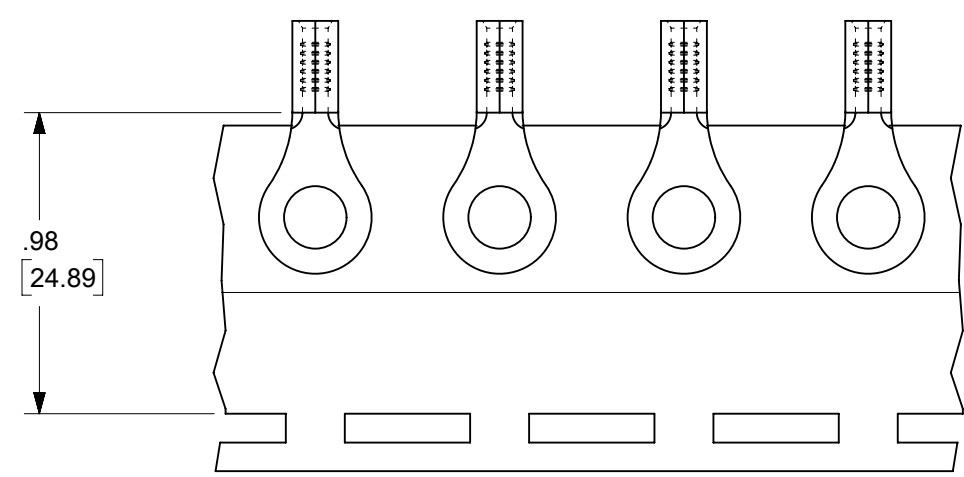
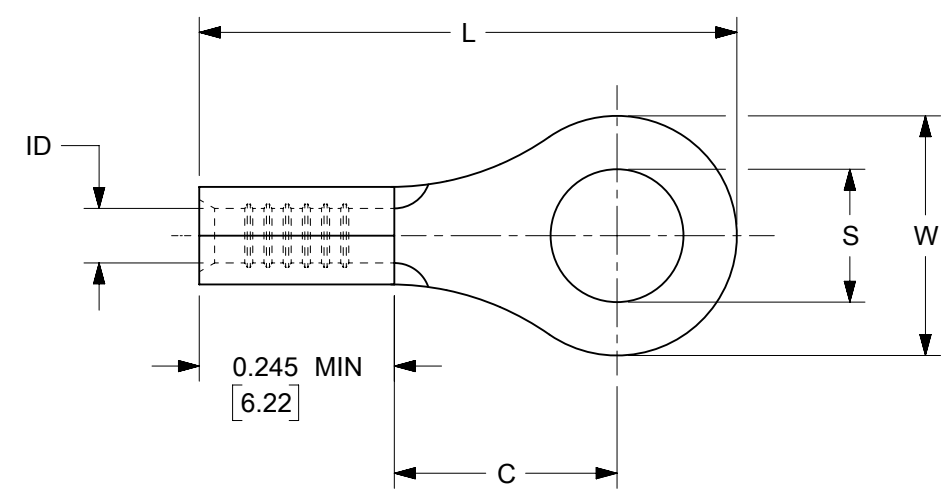


| LOOSE PIECE | | TAPE MOUNTED | | SPECIFICATIONS | | | | | | |
|-----------------|------------------|-----------------|------------------|----------------|---------------------|---------------------|--------------|---------------|--------------|-----------------|
| MATERIAL NUMBER | ALTERNATE NUMBER | MATERIAL NUMBER | ALTERNATE NUMBER | STUD SIZE | 'S" ±.005/(0.13) | 'W" ±.010/(0.25) | 'C" MIN. | 'L" MAX. | 'ID" MIN. | STOCK THICKNESS |
| 190440063 | A-120-02 | - | - | 2 | .094/(2.39) | .225/(5.72) | .157/(3.99) | .563/(14.30) | .062/(1.57) | .028/1.71) |
| 190440064 | A-120-04 | - | - | 4 | .119/(3.02) | .225/(5.72) | .157/(3.99) | .563/(14.30) | .062/(1.57) | .028/1.71) |
| 190440066 | A-120-06 | - | - | 6 | .146/(3.71) | .225/(5.72) | .157/(3.99) | .563/(14.30) | .062/(1.57) | .028/1.71) |
| 190440068 | A-121-06 | - | - | 6 | .146/(3.71) | .312/(7.92) | .270/(6.86) | .720/(18.29) | .062/(1.57) | .028/1.71) |
| 190440069 | A-121-08 | - | - | 8 | .173/(4.39) | .312/(7.92) | .270/(6.86) | .720/(18.29) | .062/(1.57) | .028/1.71) |
| 190440072 | A-121-10 | 190440073 | A-121-10T | 10 | .198/(5.03) | .312/(7.92) | .270/(6.86) | .720/(18.29) | .062/(1.57) | .028/1.71) |
| 190440075 | A-122-14 | - | - | 1/4 | .265/(6.73) | .467/(11.86) | .386/(9.80) | .914/(23.22) | .062/(1.57) | .028/1.71) |
| 190440077 | A-122-56 | - | - | 5/16 | .328/(8.33) | .467/(11.86) | .386/(9.80) | .914/(23.22) | .062/(1.57) | .028/1.71) |
| 190440078 | A-126-10 | - | - | 10 | .198/(5.03) | .534/(13.56) | .552/(14.02) | 1.113/(28.27) | .054/(1.37) | .031/1.79) |
| 190440079 | A-126-14 | - | - | 1/4 | .265/(6.73) | .534/(13.56) | .552/(14.02) | 1.113/(28.27) | .054/(1.37) | .031/1.79) |
| 190440082 | A-126-56 | - | - | 5/16 | .328/(8.33) | .534/(13.56) | .552/(14.02) | 1.113/(28.27) | .054/(1.37) | .031/1.79) |
| 190440081 | A-126-38 | - | - | 3/8 | .390/(9.91) | .534/(13.56) | .552/(14.02) | 1.113/(28.27) | .054/(1.37) | .031/1.79) |
| 190440083 | A-132-04 | - | - | 4 | .126/(3.20) | .256/(6.45) | .240/(6.10) | .661/(16.69) | .062/(1.57) | .028/1.71) |
| 190440084 | A-132-06 | - | - | 6 | .146/(3.71) | .256/(6.45) | .240/(6.10) | .661/(16.69) | .062/(1.57) | .028/1.71) |
| 190440086 | A-132-08 | - | - | 8 | .173/(4.39) | .256/(6.45) | .240/(6.10) | .661/(16.69) | .062/(1.57) | .028/1.71) |

C4



SEE TABLE FOR TAPE MOUNTED PARTS

- 1. MATERIAL : COPPER
- 2. PLATING : ELECTRO-TIN
- 3. PARTS ARE RoHS COMPLIANT.

| | | | | | | | | | | | | |
|---|--|--------------|--|---|--|------------|--|--------------------------|--|----------------|-----|--|
| THIS DRAWING CONTAINS INFORMATION THAT IS PROPRIETARY TO MOLEX ELECTRONIC TECHNOLOGIES, LLC AND SHOULD NOT BE USED WITHOUT WRITTEN PERMISSION | | | | | | | | | | | | |
| DIMENSION UNITS INCH/MM | | SCALE NTS | | CURRENT REV DESC: STUD DIM ERROR: PN 190440086 (A-132-08) SHOULD BE .173 NOT .146 | | | | | | | | |
| GENERAL TOLERANCES (UNLESS SPECIFIED) | | | | EC NO: 717702 | | 2022/08/11 | | RING TONGUE | | | | TERMINAL 22-18 AWG KRIMPTITE, 100 SERIES |
| | | | | DRWN: DMYRICK | | 2022/08/18 | | PRODUCT CUSTOMER DRAWING | | | | |
| | | | | CHKD: JMACNEIL | | 2022/08/18 | | DOCUMENT NUMBER | | | | |
| | | | | APPR: JMACNEIL | | 2022/08/18 | | SD-19044-001 | | PSD | 001 | C4 |
| | | | | INITIAL REVISION: | | 1999/10/27 | | MATERIAL NUMBER | | | | |
| | | | | DRWN: HEB | | 1999/10/27 | | SEE TABLE | | GENERAL MARKET | | 1 OF 1 |
| | | | | APPR: RWD | | | | CUSTOMER | | | | |
| DRAFT WHERE APPLICABLE MUST REMAIN WITHIN DIMENSIONS | | | | THIRD ANGLE PROJECTION | | DRAWING | | SERIES | | SHEET NUMBER | | |
| | | | | B-SIZE | | 19044 | | | | | | |