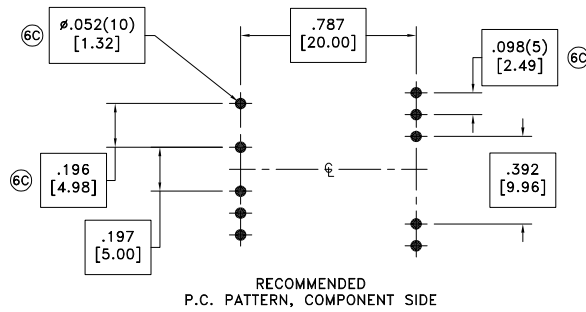
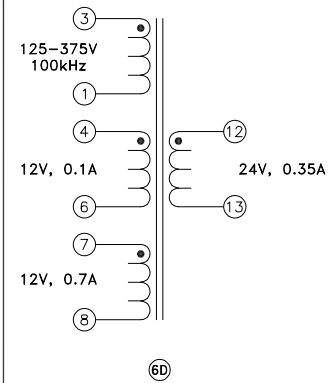
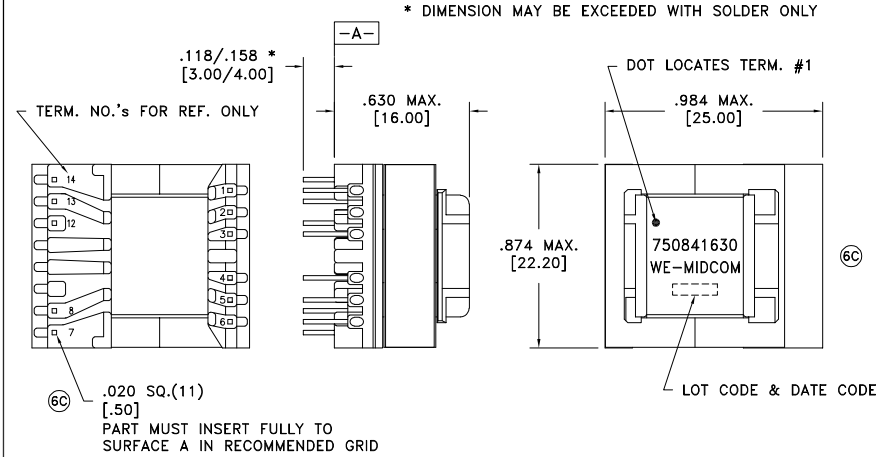


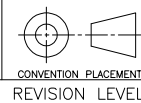
CUSTOMER TERMINAL	RoHS	LEAD(Pb)-FREE
Sn96%, Ag4%	Yes	Yes



ELECTRICAL SPECIFICATIONS @ 25°C unless otherwise noted:

PARAMETER	TEST CONDITIONS	VALUE
D.C. RESISTANCE	1-3 @20°C	1.68 ohms max.
D.C. RESISTANCE	4-6 @20°C	0.336 ohms max.
D.C. RESISTANCE	7-8 @20°C	0.05 ohms max.
D.C. RESISTANCE	12-13 @20°C	0.23 ohms max.
INDUCTANCE	1-3 10kHz, 100mVAC, Ls	1.6mH ±10%
LEAKAGE INDUCTANCE	1-3 tie(4+6+7+8+12+13), 100kHz, 100mVAC, Ls	25.0uH max.
DIELECTRIC	1-13 tie(3+4+7), 7200VAC, 1 second	6000VAC, 1 minute
DIELECTRIC	1-7 tie(3+4), 1800VAC, 1 second	1500VAC, 1 minute
TURNS RATIO	(3-1):(4-6)	10:1, ±2%
TURNS RATIO	(3-1):(7-8)	10:1, ±2%
TURNS RATIO	(3-1):(12-13)	5:1, ±2%

REV.	DATE	Packaging Specifications
6E	9/22	Method: Tray
6D	6/19	PKG-0736
6C	5/14	www.we-online.com/midcom
6B	12/10	SEE REVISION SHEET FOR



Tolerances unless otherwise specified:
 Angles: ±1°
 Decimals: ±.005 [.13]
 Fractions: ±1/64
 Footprint: ±.001 [.03]

This drawing is dual dimensioned. Dimensions in brackets are in millimeters.

DRAWING TITLE
TRANSFORMER

eiSos p/n: 750841630

PART NO.
750841630

SPECIFICATION SHEET 1 OF 1