

## Features

- Hot molded carbon element
- Gold plated terminals
- Stainless steel shaft and housing
- Meets or exceeds specifications of MIL-R-94 — QPL Listed

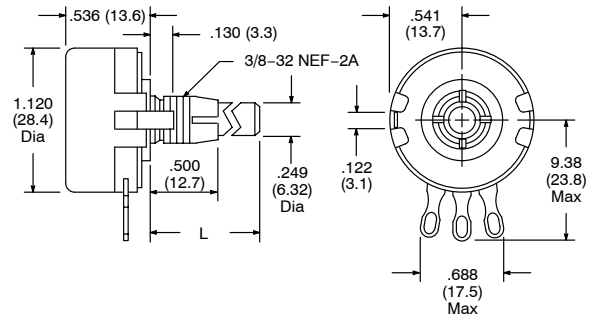


PEC No.	NTE Part No.	Military No.	Value (Ohms)	Shaft Length	Diag No.
KLU5001S20	501-0060	RV4LAYS A500A	50	5/8"	P3
KLU1011S20	501-0061	RV4LAYS A101A	100	5/8"	P3
KLU2511S20	501-0062	RV4LAYS A251A	250	5/8"	P3
KLU5011S20	501-0063	RV4LAYS A501A	500	5/8"	P3
KLU1021S20	501-0064	RV4LAYS A102A	1K	5/8"	P3
KLU2021S20	501-0065	RV4LAYS A202A	2K	5/8"	P3
KLU2521S20	501-0066	RV4LAYS A252A	2.5K	5/8"	P3
KLU5021S20	501-0067	RV4LAYS A502A	5K	5/8"	P3
KLU1031S20	501-0068	RV4LAYS A103A	10K	5/8"	P3
KLU2531S20	501-0069	RV4LAYS A253A	25K	5/8"	P3
KLU5031S20	501-0070	RV4LAYS A503A	50K	5/8"	P3
KLU1041S20	501-0071	RV4LAYS A104A	100K	5/8"	P3
KLU2541S20	501-0072	RV4LAYS A254A	250K	5/8"	P3
KLU5041S20	501-0073	RV4LAYS A504A	500K	5/8"	P3
KLU1051S20	501-0074	RV4LAYS A105A	1M	5/8"	P3
KLU5051S20	501-0075	RV4LAYS A505A	5M	5/8"	P3

# PEC KLU/RV4LAY Series

## Potentiometer – 2 Watt, 1/4" dia. locking shaft

### P3



L = Shaft Length (See Table)

## Specifications

### Electrical

**Resistance Range – Linear Taper:** 50Ω to 5 Meg Ω

**Resistance Tolerance:** ±10%

**Power Rating:** 2 Watts @ 70°C derated to 0 Watts @ 120°C

**Insulation Resistance:** 10K Meg Ω (Dry)

100K Meg Ω (Wet)

**Dielectric Strength:** 900V RMS at sea level

**Operating Voltage:** 500V subject to power rating

### Mechanical

**Mechanical Rotation:** 314°

**Operating Torque:** 1 oz/in to 6 oz/in

**Rotation Life:** 25,000 cycles

### Environmental

**Operating Temperature:** –65°C to +125°C

**Resistance to Soldering Heat:** 350°C for 5 seconds

**Load Life:** 1000 hr. at 70°C