

PART NAME: KNOB

SCALE: 1:1

DATE: ?/??/??

DR. BY ??



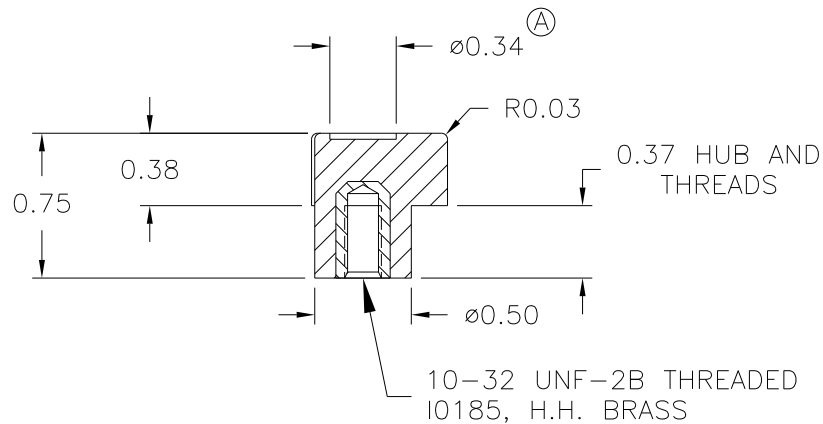
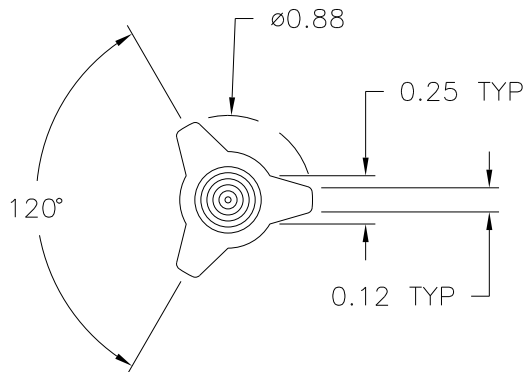
DESIGNERS & MANUFACTURERS  
OF KNOBS, HANDLES, CASES &  
CUSTOM PLASTIC COMPONENTS

P/N 3022-B

THIS DRAWING IS THE PROPERTY OF DAVIES MOLDING COMPANY, IS SUBMITTED SOLELY AS A DESIGN OR ENGINEERING PROJECT.  
WE ACCEPT NO RESPONSIBILITY WHATSOEVER FOR THE PRACTICAL APPLICATION OF THE PIECES MADE TO THIS DESIGN.

M<sup>NO.</sup> 1475

CAVITY	3022
PLUNGER	3022
PLUNGER PIN	3022
PINS	3025&3025-B
SHIMS	.250+.250+.047
PIN BAR	1475
INSERT	I0185
PLUNGER KEY	1/4x1/4x7/16
CAVITY KEY	1/4x1/4x1/2



MATERIAL: G.P. PHENOLIC (B11)  
COLOR: BLACK

TOLERANCES: UNLESS OTHERWISE SPECIFIED	DO NOT SCALE DRAWING			
DECIMALS: X.XXX ± .005 X.XX ± .015	MM: X.XX ± 0.15MM X.X ± 0.4MM	-	REDRAWN	TL 11/16/99
FRACTIONS ± 1/64	ANG. ± 1°	A	WAS ø1/4 RECESS	HD 5/20/98
CHANGES				