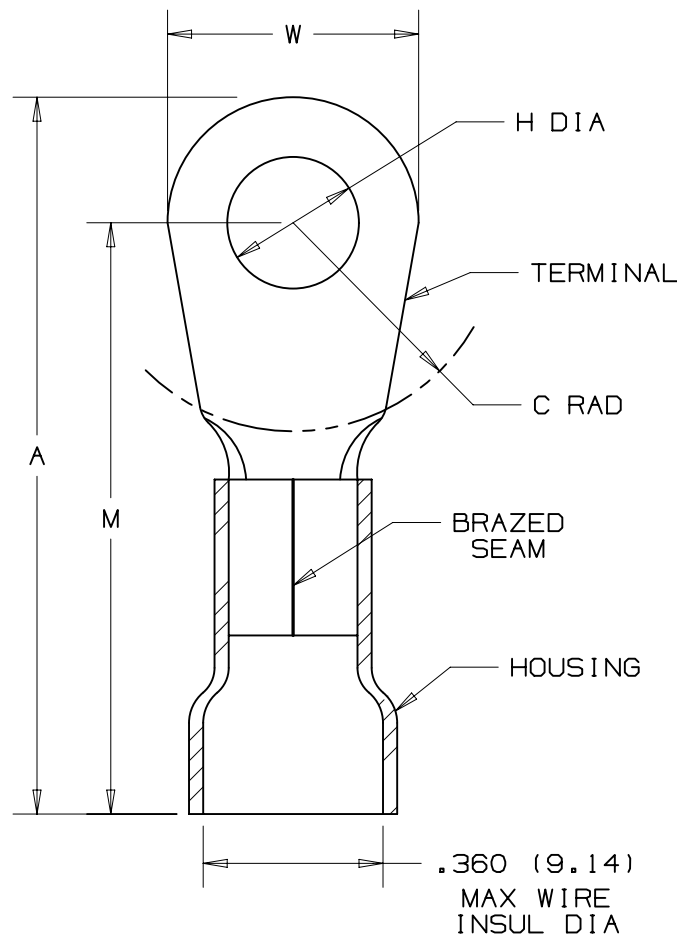


THIS COPY IS PROVIDED ON A RESTRICTED BASIS AND IS NOT TO BE USED IN ANY WAY DETRIMENTAL TO THE INTERESTS OF PANDUIT CORP.

PANDUIT PART NUMBERX	STUD SIZE	DIMENSIONS - in.					TOOLS
		A ± .020	W ± .010	C ± .015	M ± .020	H ± .010	
PV8-8RNX	#8	1.20 (30.5)	.36 (9.14)	.43 (10.92)	1.29 (32.77)	.17 (4.32)	CT-720 (CD-720PV8-2) CT-2600 (CD-2600-PV8)
PV8-8RX	#8	1.50 (38.1)	.42 (10.67)	.43 (10.92)	1.29 (32.77)	.17 (4.32)	
PV8-10RX	#10	1.52 (38.61)	.47 (11.94)	.43 (10.92)	1.29 (32.77)	.20 (5.08)	
PV8-14RX	1/4"	1.52 (38.61)	.47 (11.94)	.43 (10.92)	1.29 (32.77)	.27 (6.86)	
PV8-56RX	5/16"	1.62 (41.15)	.59 (14.99)	.51 (12.95)	1.33 (33.78)	.33 (8.38)	
PV8-38RX	3/8"	1.62 (41.15)	.59 (14.99)	.51 (12.95)	1.33 (33.78)	.39 (9.91)	
PV8-12RX	1/2"	1.74 (44.2)	.82 (20.83)	.51 (12.95)	1.33 (33.78)	.52 (13.21)	

NOTES:

- cULus LISTED FOR:
 - A. 600V MAX VOLTAGE RATING
 - B. 221° F (105° C) MAX TEMP RATING
 - C. #8 AWG STRANDED COPPER WIRE
- SEE WWW.PANDUIT.COM FOR PACKAGE QUANTITIES
- MATERIAL:
 - A. STAMPING - .040" (1.02) THK, COPPER
TIN PLATED
 - B. HOUSING - VINYL, RED
- DIMENSIONS IN BRACKETS ARE IN MILLIMETERS
- WIRE STRIP LENGTH: $3/8 + 1/32$ (9.5 + .8)
- 0 - 0



TITLE #8 BARREL VINYL INSULATED RING TONGUE .360 [9.14] MAX. WIRE INSUL. DIAMETER		PANDUIT										
CUSTOMER DRAWING												
ITEM REVISION NAME N41223BA/08	MATERIAL: SEE NOTE 3											
DATASET FILE NAME N41223BA/08												
UNLESS OTHERWISE SPECIFIED, DIMENSIONAL TOLERANCES ARE: IN [mm] .X ± .XXX ± .XX ± ANGLES ±												
08	06/14	MBY	JHNU	RGB	REVISED UL LOGO TO cULus LOGO, REVISED NOTES, MOVED TOOLS TO TABLE, UPDATED BORDER	N41223BA-A41223	DRAWING NUMBER: A41223					
REV	DATE	BY	CHK	APR	DESCRIPTION	ECN	DRAWN BY DAW	DATE	CHK	SCALE NONE	SHT 1 OF 1	SIZE A

D10100DA/16