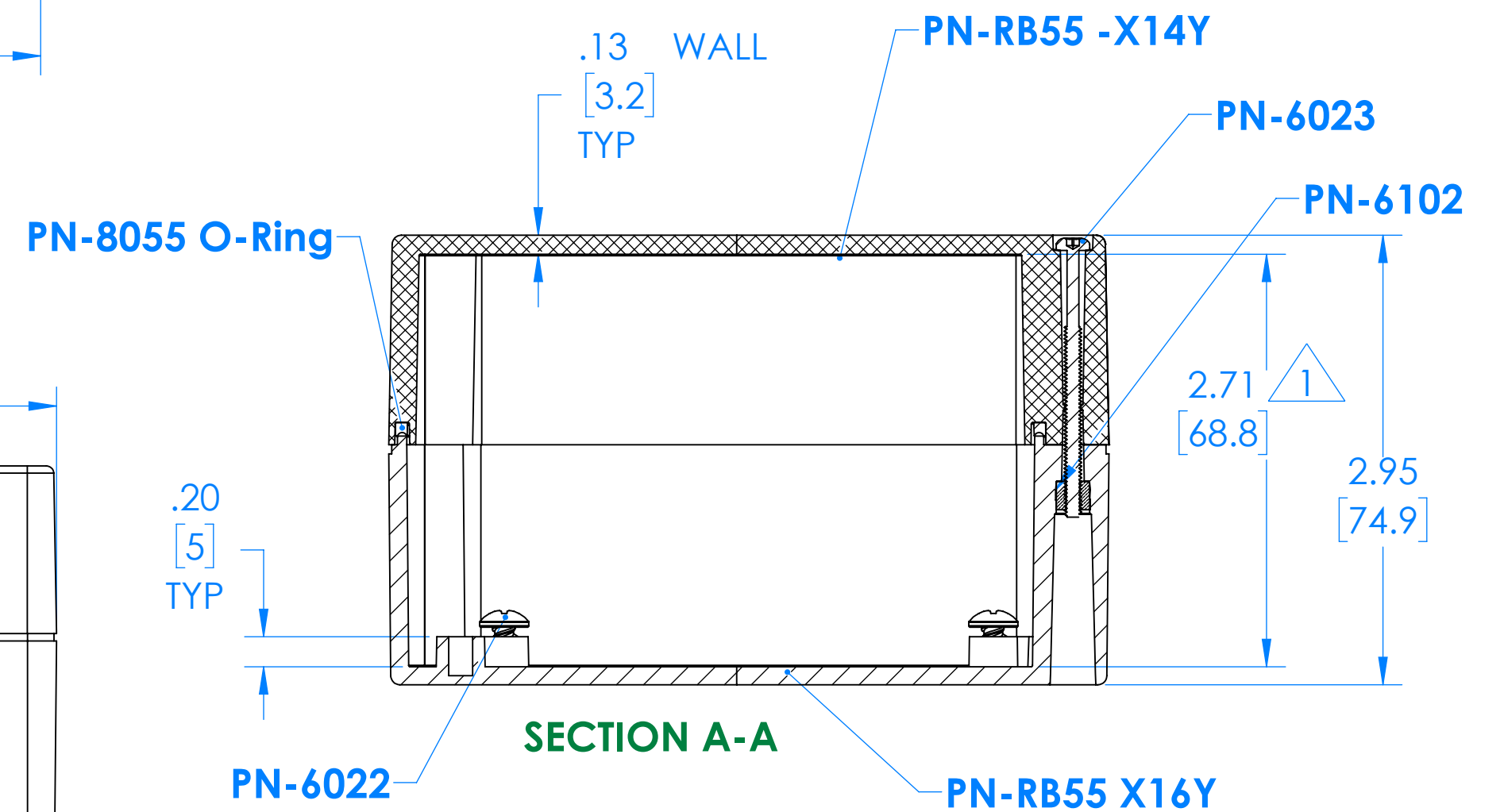
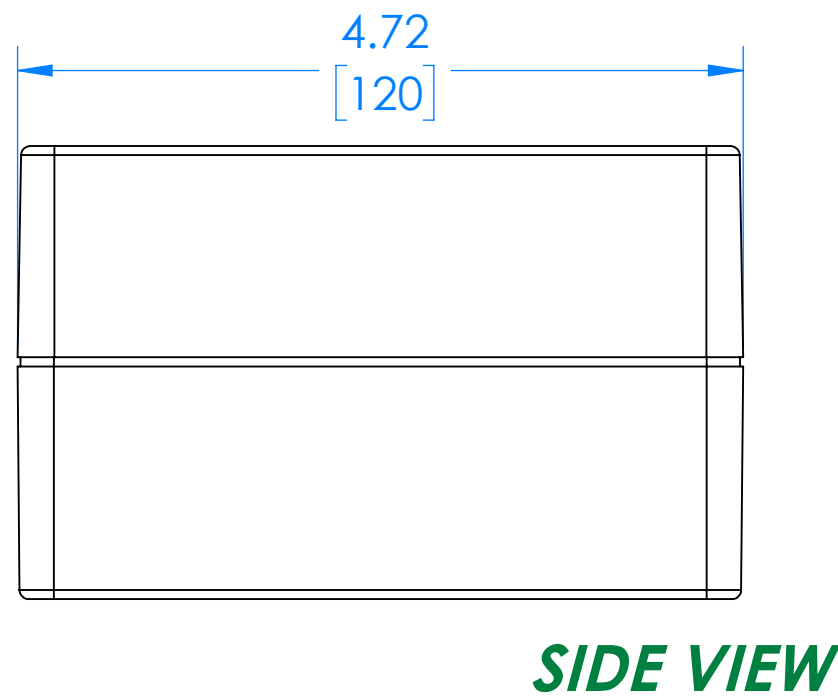
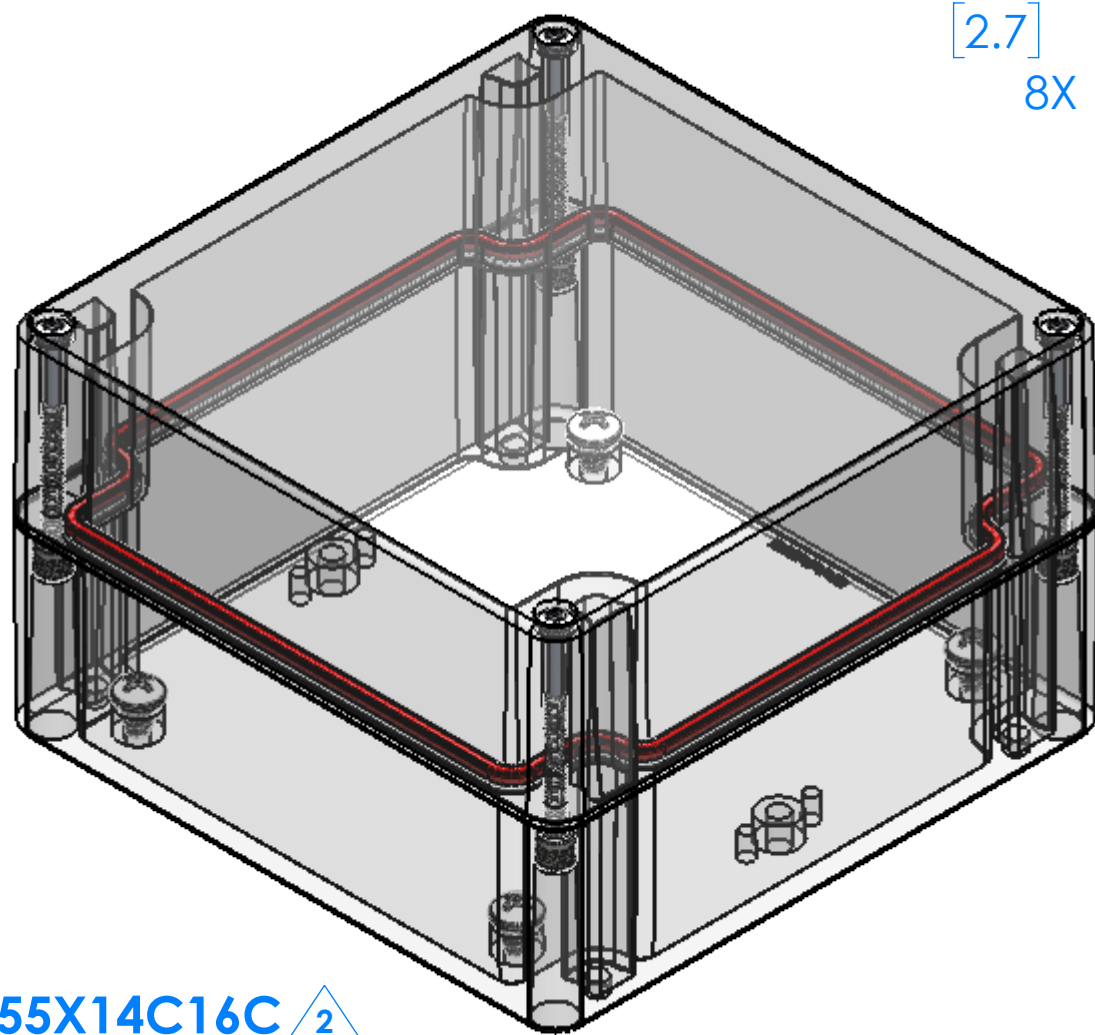
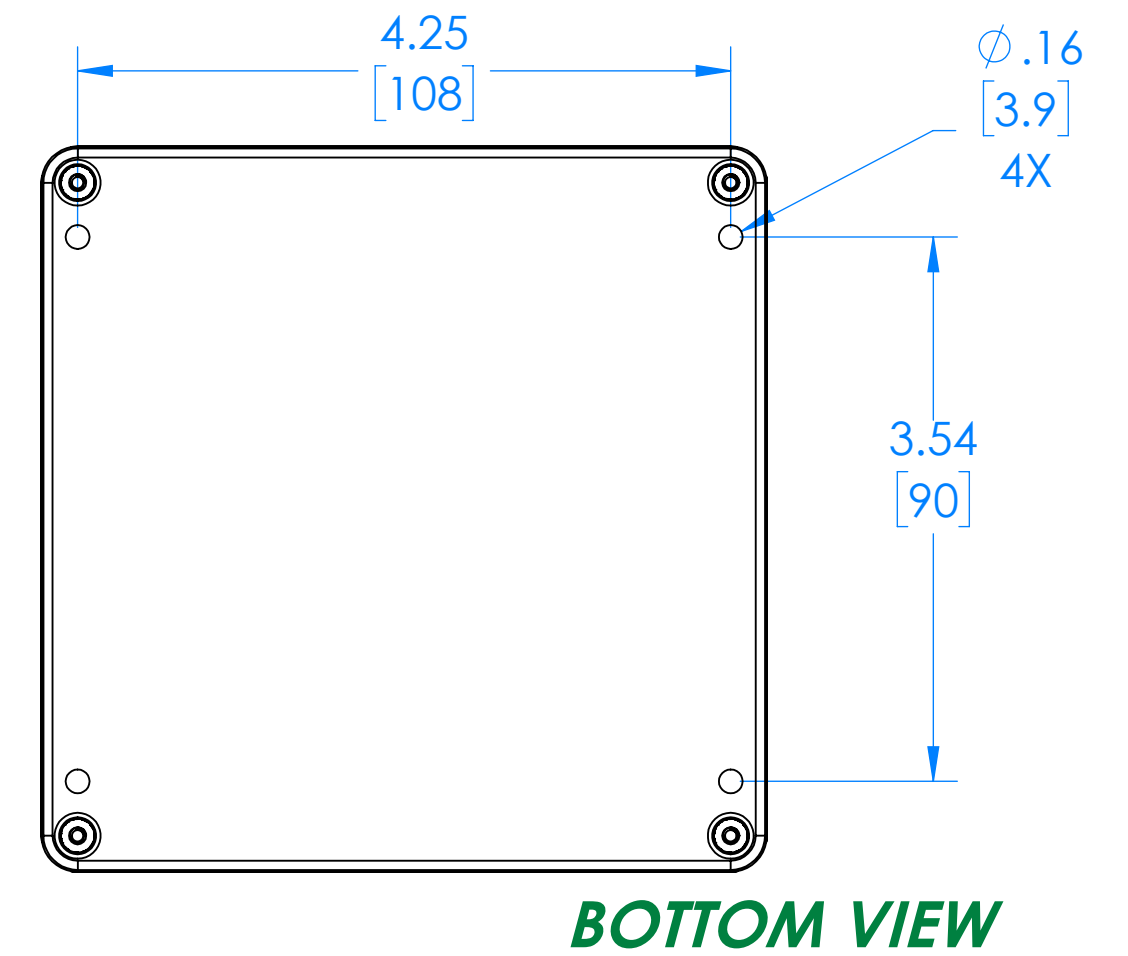
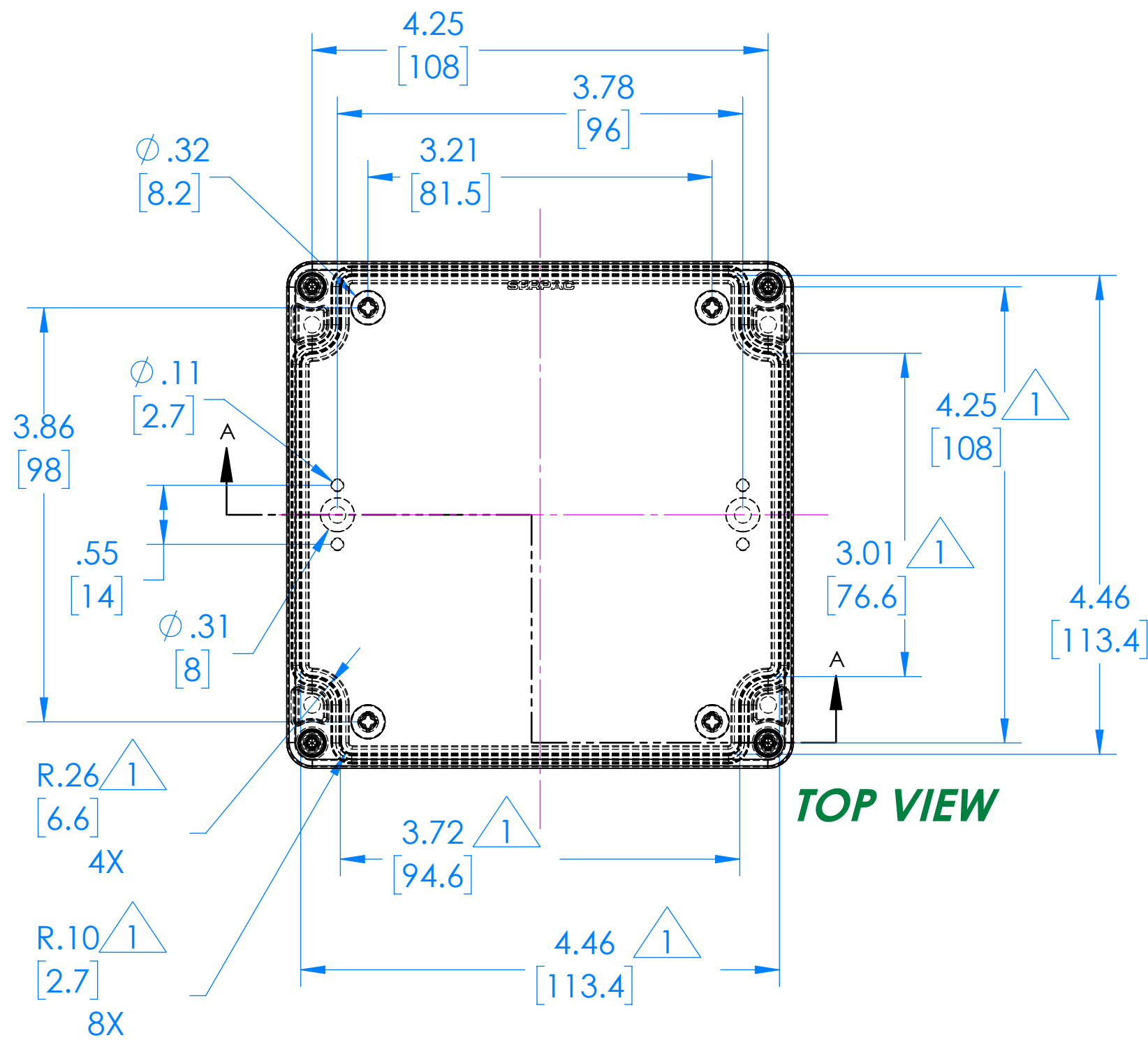
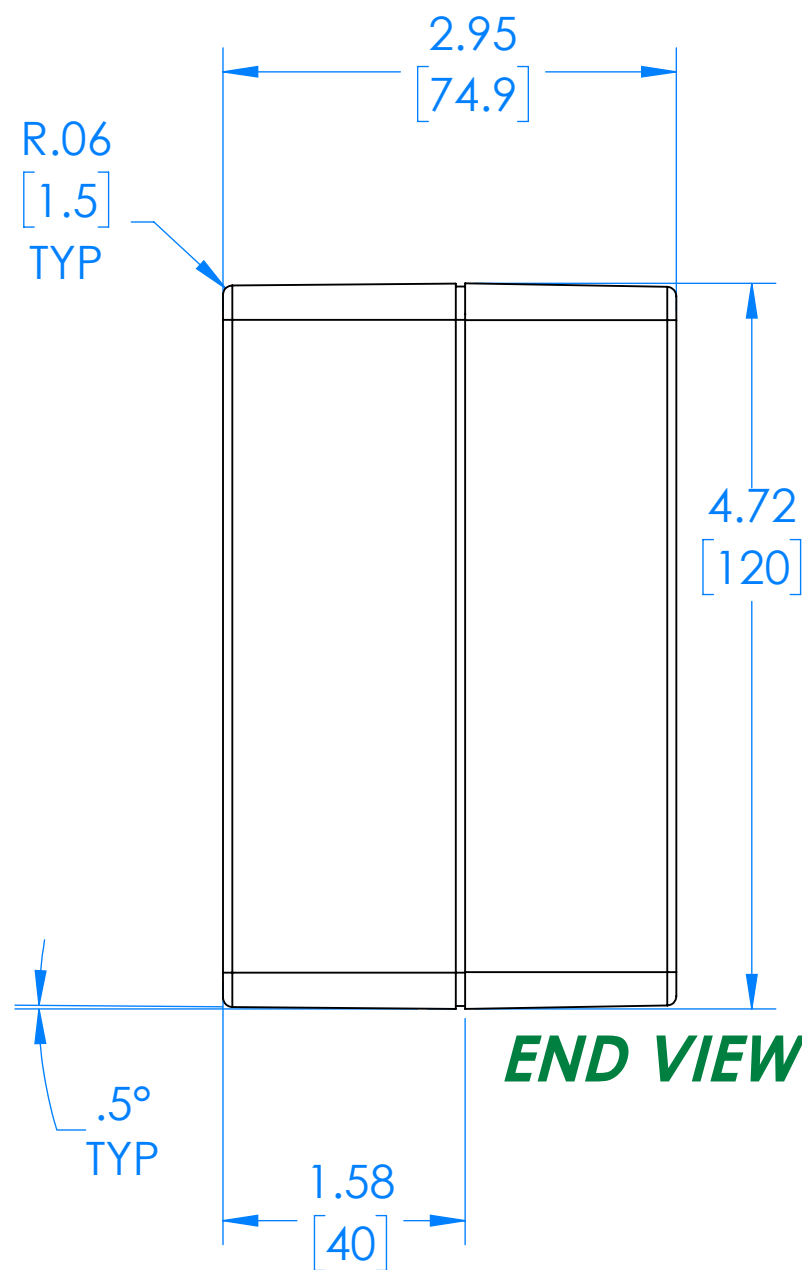


# SERPAC RB55X14Y16Y 2

Electronic Enclosures



**RB55X14C16C 2**  
(Part shown, no material (X) specified)

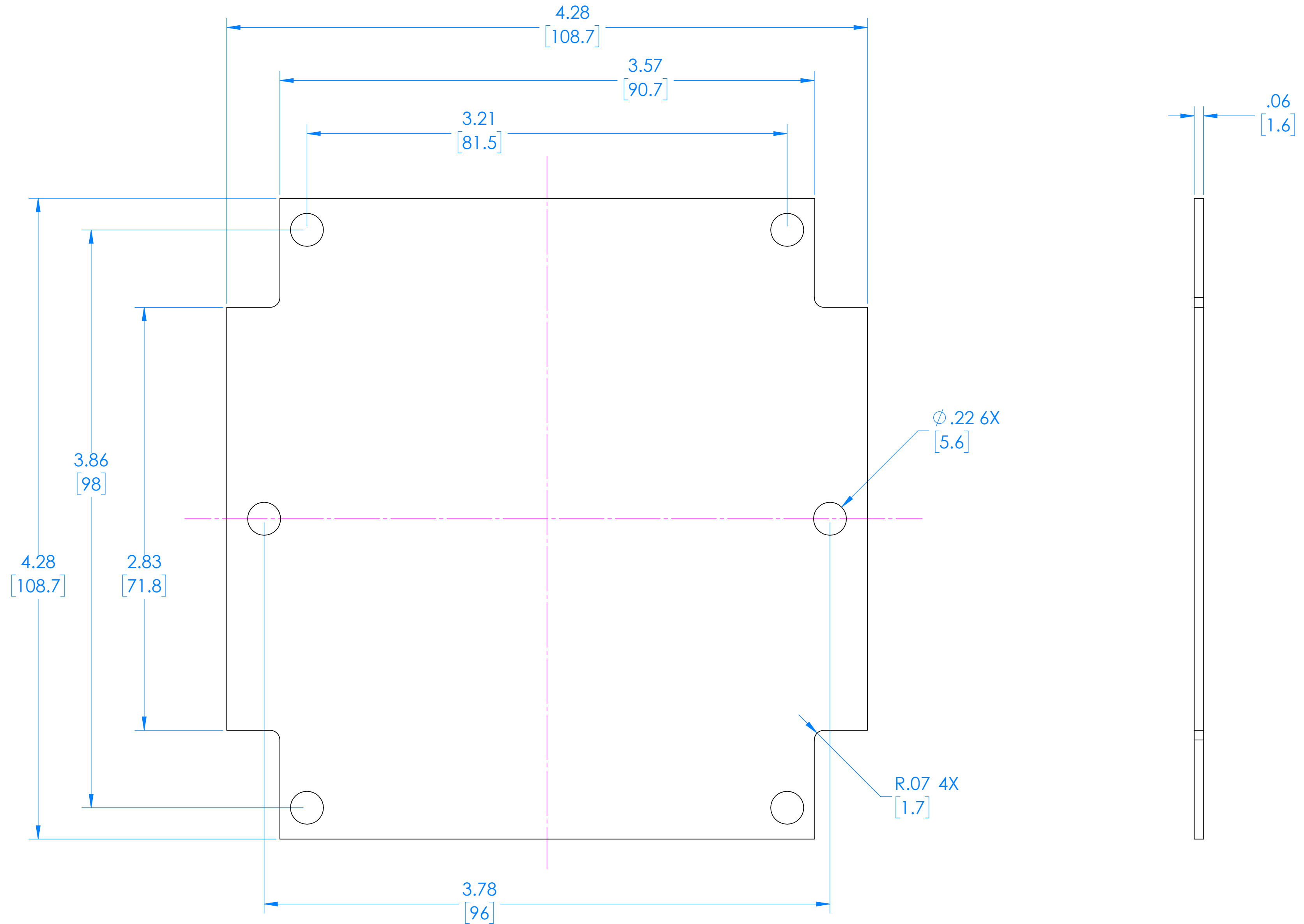
PN	Description
RB55-X14Y	(1) RB55X14Y, Top
RB55X16Y	(1) RB55X16Y, Bottom
8055	(1) RB55 O-Ring
6023	(4) #4-40 Captive Torx Hd Screw
6022	(4) #10 High/Low Pan Hd x 1/4"
6102	(4) #4-40 Threaded Insert

- 1 =INTERIOR DIMENSIONS (@ BOTTOM)
- 2 =STANDARD COLORS (Y) ARE: BLACK (B), CLEAR (C) AND GRAY (G)  
TOPS AND BOTTOMS ALL POSSIBLE COMBINATIONS AVAILABLE  
STANDARD MATERIALS (X) IS: POLYCARBONATE (P)

-Watertight enclosure meets or exceed Nema 4 and or IP67.

Dimensions represent Polycarbonate material.  
Dim's in Inch  
[ mm]

# RB55 Circuit Board (Fits all Parts starting with RB55)



(REFERENCE ONLY)