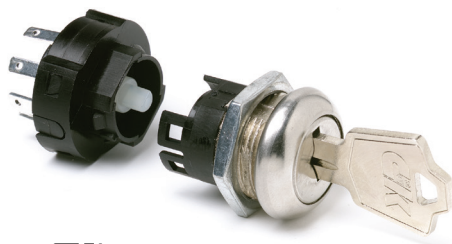


# H Series 4 & 6 Tumbler Power Switchlocks



Models Available

## Features/Benefits

- Positive detent
- Multi-pole and multi-position
- Snap-together assembly
- Power switching

## Typical Applications

- Machine controls
- Elevators

## Specifications

CONTACT RATING: Q contact material: 12 AMPS @ 125 V AC; 6 AMPS @ 250 V AC; 1 AMP @ 125 V DC (UL/CSA). See page L-37 for additional ratings.

ELECTRICAL LIFE: 10,000 make-and-break cycles at full load.

CONTACT RESISTANCE: Below 10 m Ω typ. initial @ 2-4 V DC, 100 mA, for both silver and gold plated contacts.

INSULATION RESISTANCE: 10<sup>9</sup> Ω min.

DIELECTRIC STRENGTH: 1,000 Vrms min. @ sea level.

OPERATING TEMPERATURE: -30°C to 85°C.

INDEXING: 45° or 90°, 2-4 Positions.

**NOTE:** Any models supplied with Q or B contact material are RoHS compliant.

**NOTE:** Specifications and materials listed above are for switchlocks with standard options. For information on specific and custom switchlocks, consult Customer Service Center.

## Materials

LOCK: Zinc alloy with stainless steel facing (4 tumbler locks and 6 tumbler tubular lock).

KEYS: Two nickel plated brass keys with code number (4 tumbler). Two die cast chrome plated zinc alloy keys (6 tumbler).

SWITCH HOUSING: 6/6 nylon (UL 94V-2).

CONTACTS & TERMINALS: Q contact material: Copper, silver plated. See page L-37 for additional contact materials.

CONTACT SPRING: Music wire or stainless steel.

MOUNTING NUT: Zinc alloy.

MOUNTING CLIP: Steel, zinc plated.

DRESS NUT: Brass, nickel plated.

TERMINAL SEAL: Epoxy.

## Build-A-Switch

To order, simply select desired option from each category and place in the appropriate box. Available options are shown and described on pages L-35 through L-38. For additional options not shown in catalog, consult Customer Service Center.



### Switch and Lock Function

- H10113** SP, 90° Index, keypull pos.1
- H2011U** DP, 90° Index, keypull pos. 1 & 2
- H100AA** SP, 45° Index, keypull pos. 1,2 & 3
- H200AA** DP, 45° Index, keypull pos. 1, 2 & 3
- H20113** DP, 90° Index, keypull pos. 1
- H1011U** SP, 90° Index, keypull pos.1 & 2
- H1417U** SP, 90° Index, keypull pos. 1,2 & 3

### Keying

- 2** Two nickel plated brass keys (4 tumbler) or two die cast zinc alloy keys with chrome plating (6 tumbler)
- T** One nickel plated brass key with plastic insert molded square head and one nickel plated brass key

### Lock Type

- F** 4 Tumbler lock with detent
- V** 6 Tumbler tubular lock

### Lock Finish

- 2** Stainless steel facing
- 8** Gloss black facing

### Terminations

- 05** Quick connect
- WC** Wire lead

### Mounting/Lock Style

- N** With nut
- D** With clip

### Contact Material

- Q** Silver
- B** Gold

### Key Color

- NONE** Nickel plated brass (4 tumbler) or chrome plated zinc alloy (6 tumbler)
- 2** Black



Switchlock



18 May 22

# H Series 4 & 6 Tumbler Power Switchlocks

## SWITCH AND LOCK FUNCTION



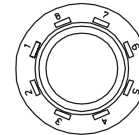
NO. TUMBLERS	NO. POLES	MODEL NO.	CONNECTED TERMINALS				KEY PULL POSITIONS	LOCK CONFIGURATION	INDEXING
			POS. 1	POS. 2	POS. 3	POS. 4			
4	SP DP	<b>H100AA</b> <b>H200AA</b>	7-8 7-8, 3-4	8-1 8-1, 4-5	6-7 6-7, 2-3		Positions 1, 2 & 3		45°
4 & 6	SP DP	<b>H10113</b> <b>H20113</b>	7-8 7-8, 3-4	8-2 8-2, 4-6			Position 1		
4 & 6	SP DP	<b>H1011U</b> <b>H2011U</b>	7-8 7-8, 3-4	8-2 8-2, 4-6			Positions 1 & 2		90°
4	SP	<b>H1417U</b>	6-8	8-2	5-6		Positions 1, 2 & 3		

All models with all options when ordered with 'G' or 'Q' contact material.

### TERMINAL NUMBERS

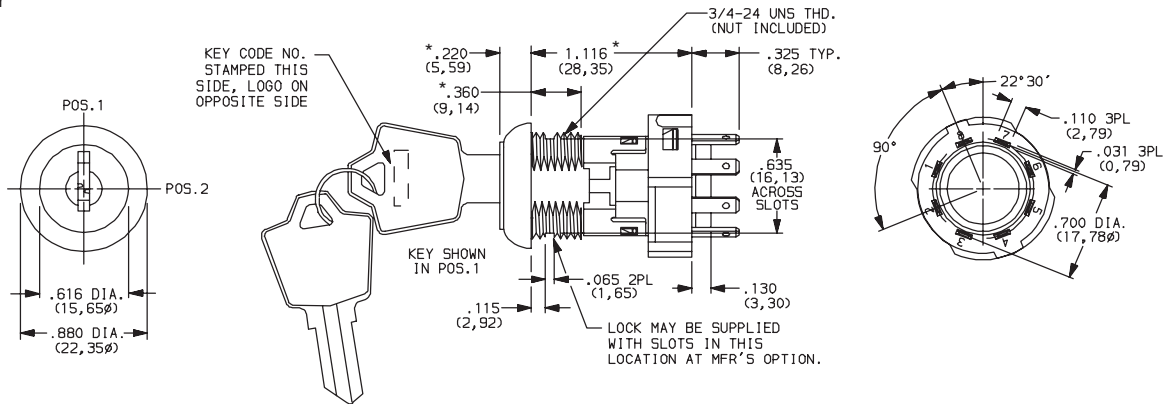
### LEGEND

- = Detent Positions (45° or 90°)
- ⊙ = Key pull possible in these positions.
- = Stop Positions

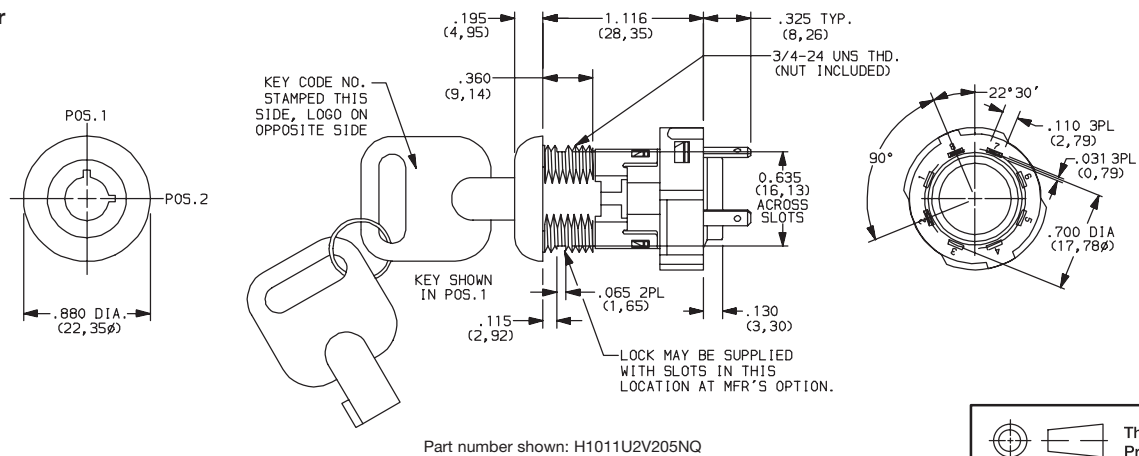


Terminal numbers molded on housing.

### 4 Tumbler



### 6 Tumbler



Dimensions are shown: Inch (mm)  
Specifications and dimensions subject to change

# H Series 4 & 6 Tumbler Power Switchlocks

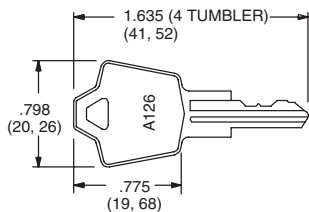
## KEYING

OPTION CODE	KEY OPTIONS	CODE NO. ON KEY	CODE NO. ON LOCK
<b>2</b>	2 NICKEL PLATED BRASS KEYS (4 TUMBLER) OR 2 CHROME PLATED ZINC ALLOY KEYS (6 TUMBLER)	YES	NO
<b>T</b>	1 NICKEL PLATED BRASS KEY WITH PLASTIC INSERT MOLDED SQUARE HEAD & 1 NICKEL PLATED BRASS KEY	YES	NO

OPTION CODE	KEY COLOR
<b>NONE</b>	NICKEL PLATED BRASS (4 TUMBLER) CHROME PLATED BRASS (6 TUMBLER) <b>(APPLIES TO KEYING OPTION CODE 2 ONLY)</b>
<b>2</b>	BLACK <b>(APPLIES TO KEYING OPTION CODE T ONLY)</b>

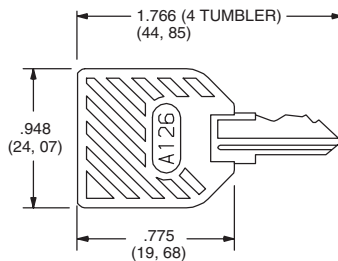
**NOTE:** All orders keyed alike, standard. For more than one key code, replacement keys, or other special features, consult Customer Service Center.

### NICKEL PLATED BRASS KEY



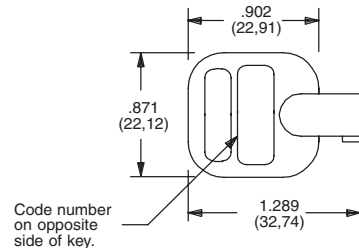
Key part number: 115140126

### NICKEL PLATED BRASS KEY WITH PLASTIC INSERT MOLDED SQUARE HEAD



Key part number: 11599112602

### CHROME PLATED ZINC ALLOY KEY

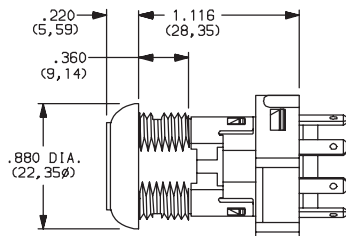


Key part number: 363C1AAAA

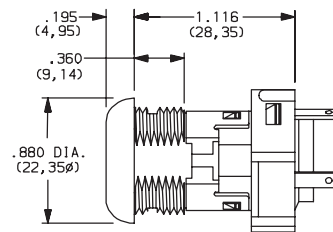
**NOTE:** Key head shape subject to change without notice.

## LOCK TYPE

### F 4 TUMBLER LOCK WITH ADDED DETENT



### V 6 TUMBLER TUBULAR LOCK



## LOCK FINISH

### 2 STAINLESS STEEL FACING



Available with V lock type only.

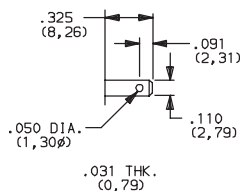
### 8 GLOSS BLACK FACING



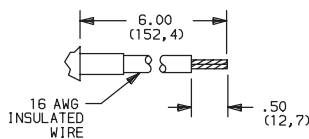
Switchlock

## TERMINATIONS

### 05 .110" QUICK CONNECT



### WC WIRE LEAD



Black wire standard, other colors, gages and lengths available, consult Customer Service Center. UL style 1015.

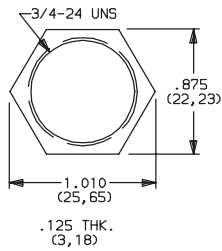


Dimensions are shown: Inch (mm)  
Specifications and dimensions subject to change

# H Series 4 & 6 Tumbler Power Switchlocks

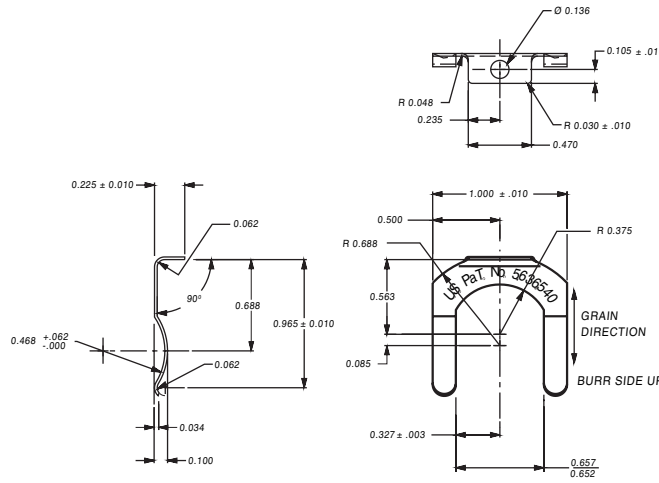
## MOUNTING/LOCK STYLE

**N** WITH NUT



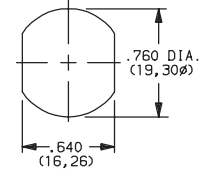
Nut part number: 937C00000

**D** WITH CLIP



Clip part number: 906B00000

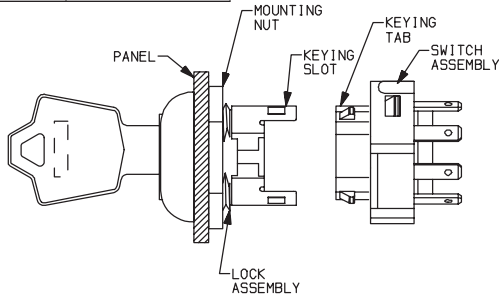
PANEL MOUNTING



MOUNTING STYLES	PANEL THICKNESS
D	.065-.085 (1,65-2,16)
N	.195 (4,95) max.

Mounting Styles	Panel Thickness
D	065-085 (1.65-2.16)
N	195 (4.95) max.

### Switch and Lock Assembly Instructions




1. Place lock assembly in mounting hole on panel, secure with mounting nut.
2. Align keying tab on switch assembly with keying slot on lock assembly.
3. Snap assemblies together.
4. Switch installation is permanent. Switch cannot be removed from lock after assembly. Attempting to separate switch and lock may cause damage to switchlock.

## CONTACT MATERIAL

OPTION CODE	RoHS COMPLIANT*	RoHS COMPATIBLE*	CONTACT AND TERMINAL MATERIAL	RATING	
				POWER	LOW LEVEL/DRY CIRCUIT
<b>Q</b>	YES	YES	SILVER <sup>2</sup>	12 AMPS @ 125 V AC; 6 AMPS @ 250 V AC; 1 AMP @ 125 V DC (UL/CSA).	
<b>B</b>	YES	YES	GOLD <sup>1</sup>		0.4 VA MAX. @ 20 V AC or DC MAX.

<sup>1</sup> CONTACTS & TERMINALS: Copper, with gold plate over nickel plate.  
<sup>2</sup> CONTACTS & TERMINALS: Copper, silver plated.

\* Note: See Technical Data section of this catalog for RoHS compliant and compatible definition and specifications.

All models  with all options when ordered with 'Q' contact material.



Third Angle Projection  
 Dimensions are shown: Inch (mm)  
 Specifications and dimensions subject to change

# H Series 4 & 6 Tumbler Power Switchlocks

## AVAILABLE HARDWARE



Key Code: A126  
4 TUMBLER  
**PART NO. (ONE KEY)**  
**115140126**  
**Material:** Brass  
Finish: Nickel plate



Key Code: AAAA  
**PART NO. (ONE KEY)**  
**363C1AAAA**  
**Material:** Zinc Alloy  
Finish: Chrome  
plate



Key Code: A126  
4 TUMBLER  
**PART NO. (ONE KEY)**  
**1159112602** BLACK  
**Material:** Brass  
Finish: Nickel plate  
6/6 Nylon insert molded  
head



Switchlock