



Quality Products. Service Excellence.

General Replacement Tube Output (8 Watt) Push-Pull 125J Series

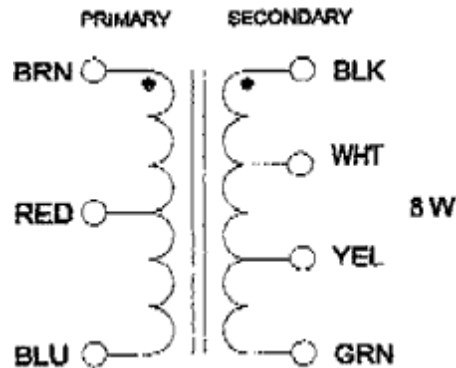
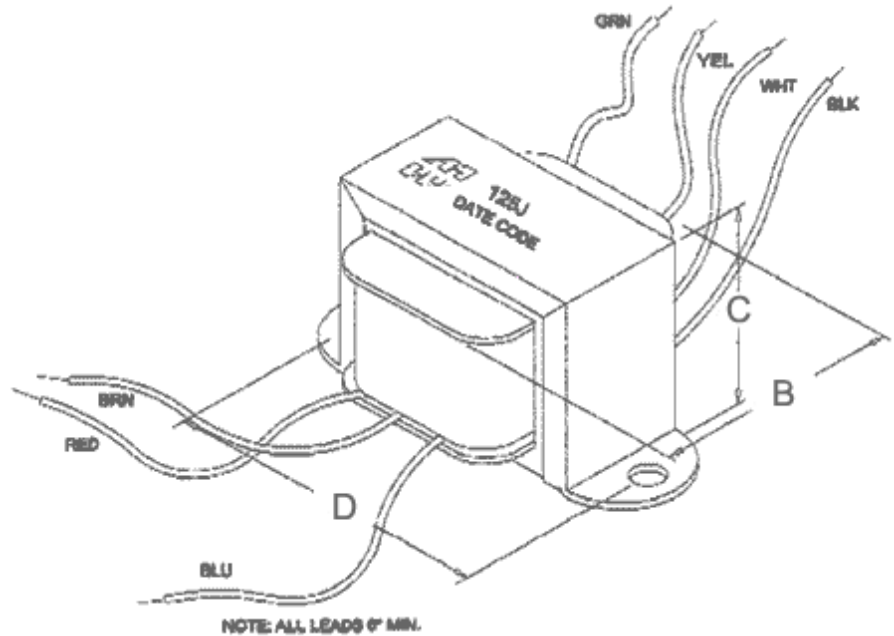
Audio

Features

- Designed for general purpose or replacement use in push-pull tube output circuits.
- Frequency response: 150 Hz. - 15 KHz (+/- 1db max. ref. 1 KHz)
- Open style with minimum 10" long primary & secondary leads.
- Also see our **125H Series**.
- For single ended use, see our **125SE Series**.
- For more impedance options, see our universal impedance push-pull **125 Series**



Ask About
Custom
Transformers
& Chokes



Part No.	Audio Watts	Primary	Secondary	Primary Inductance	Weight (lbs.)	Overall Dimensions				Mounting
		Impedance (Ohms)	Impedance (Ohms)			A	B	C	D	Hole G
125J	8	2.5K or 4K	6/8 or 3.2/4	5.60 H	1	3.25	1.50	1.94	2.81	0.19

Hook Up Data

PRIMARY IMPEDANCE Plate to Plate Brown to Blue (Ohms)	SECONDARY IMPEDANCE (Ohms)	USE SECONDARY LEAD CONNECTIONS
4,000 C.T.	41857	WHT - GRN
4,000 C.T.	3.2 / 4	WHT -YEL
2,500 C.T.	41857	BLK - GRN
2,500 C.T.	3.2 / 4	BLK - YEL

Data subject to change without notice

© 2023. Hammond Manufacturing Ltd. All rights reserved.