

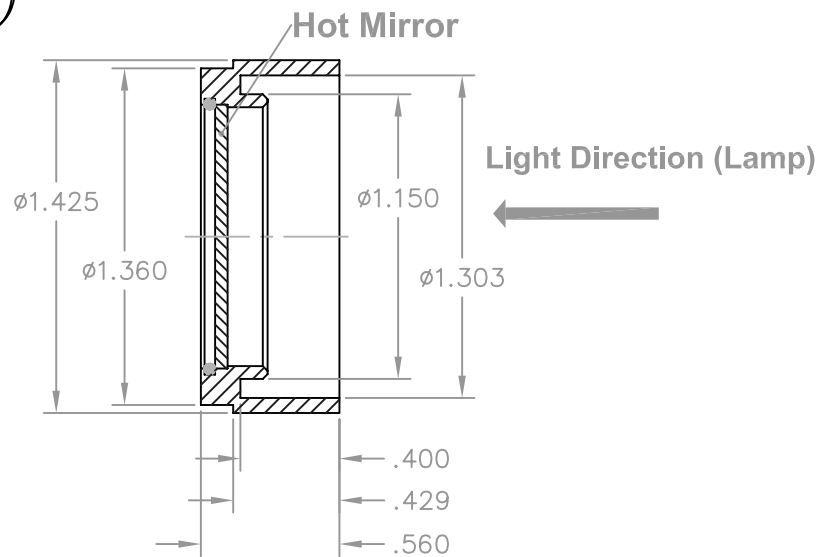
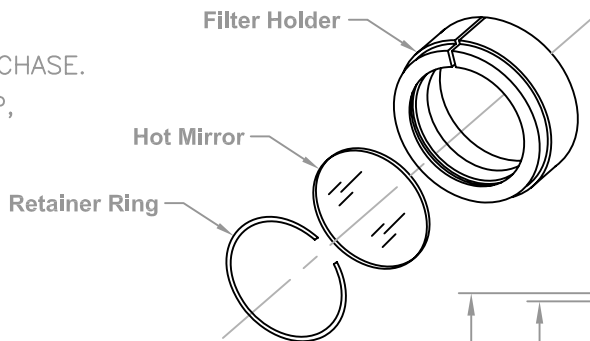
This document contains confidential and proprietary information of Excelitas Technologies. The contents shall not be disclosed, reproduced, duplicated, disseminated or used for purposes other than authorized in writing by Excelitas Technologies.

REVISIONS				
ZONE	REV.	DESCRIPTION	DATE	APPROVED
	A	REL/ECN 0167534	03/25/04	K. TONG
	B	RE/ECN 172037	03/18/11	H.VUONG

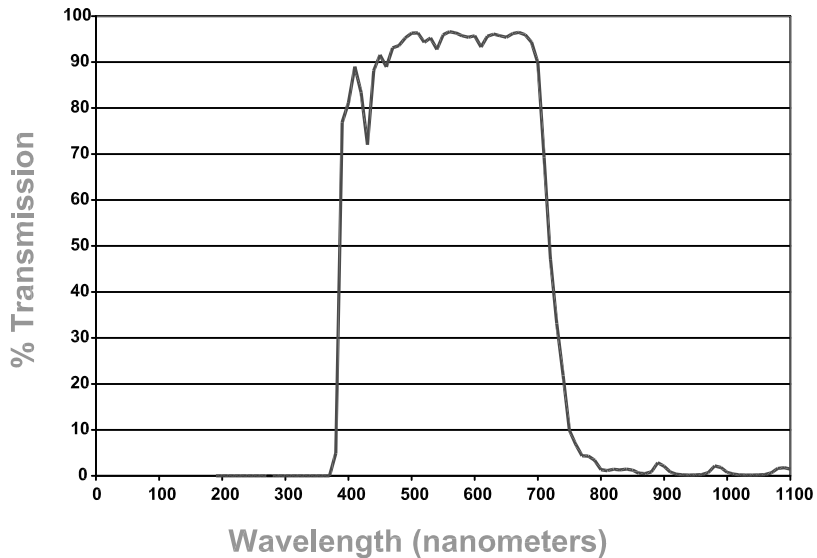
**NOTES:**

1. INTENDED FOR USE WITH CERMAX LAMPS UP TO 300 WATTS.
2. WARRANTY: 12 MONTHS FROM DATE OF PURCHASE.
3. WARRANTY COVERS MATERIALS, WORKMANSHIP, AND INITIAL PERFORMANCE.

UNCONTROLLED COPY



**NOMINAL TRANSMISSION:**



**INTERFACE CONTROL DRAWING**

UNLESS OTHERWISE SPECIFIED DIMENSIONS ARE IN INCHES TOLERANCES ARE: FRACTIONS ± 1/64    DECIMALS .XX ± .01    ANGLES ± 1° SURFACE ROUGHNESS: 125 ✓		CONTRACT NO.		EXCELITAS TECHNOLOGIES 44370 Christy Street Fremont, CA 94538	
MATERIAL:		APPROVALS		DATE	
FINISH:		DRAWN BY K. TONG		06/16/03	
		CHECKED			
		ENGR. K. TONG		06/16/03	
		PROJ. ENGR. K. TONG		06/16/03	
		QA			
		M & P			
		SIZE B		CAGE CODE 31573	
		SCALE NONE		DWG. NO. 228759	
		DO NOT SCALE DRAWING		SHEET 1 OF 1	
				REV. B	

**TITLE**  
HOT MIRROR FILTER ASSEMBLY  
A2-002

4

3

2

1

D

C

B

A

D

C

B

A