

MATERIALS AND FINISHES

BODY, CRIMP TUBE: BRASS
PLATED GOLD

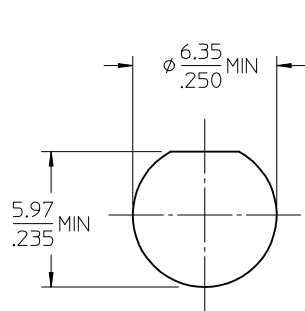
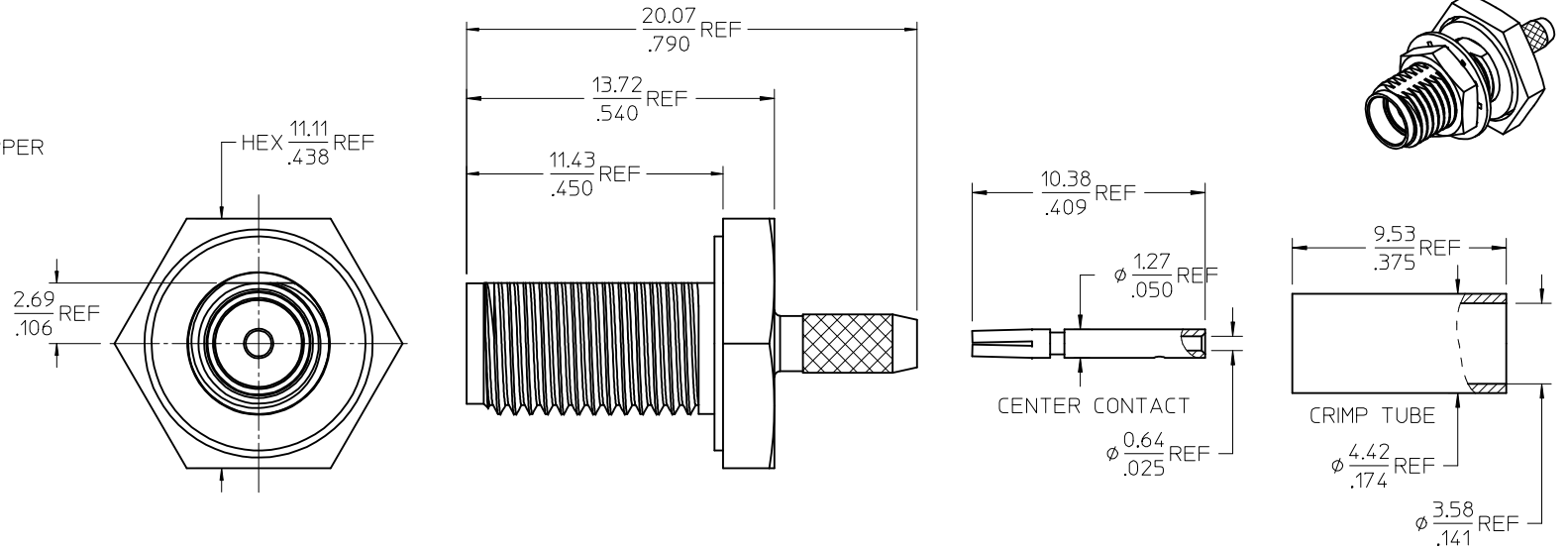
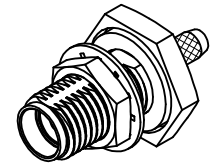
CENTER CONTACT: BERYLLIUM COPPER
PLATED SEE TABLE

INSULATOR: TEFLON

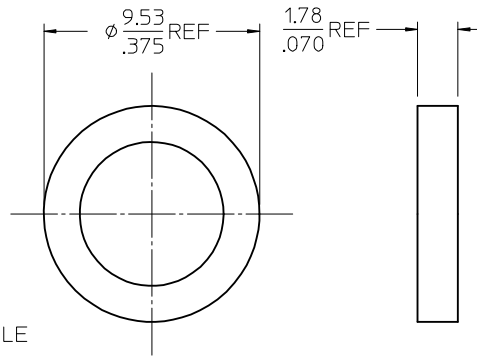
GASKET: SILICONE RUBBER

JAM NUT: BRASS
PLATED GOLD

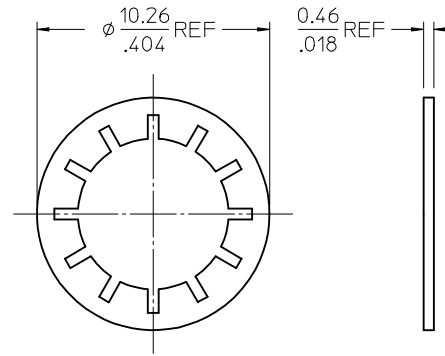
LOCKWASHER: PHOSPHOR BRONZE
PLATED GOLD



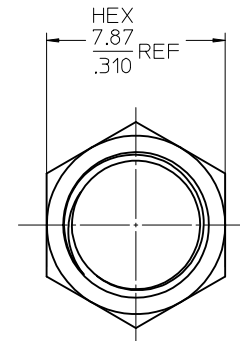
RECOMMENDED MOUNTING HOLE
MAX PANEL THICKNESS 3.44 (.135)



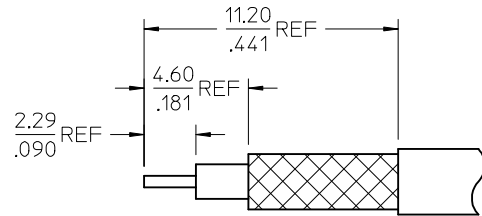
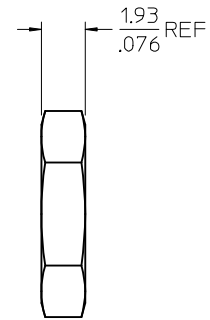
GASKET



LOCKWASHER



JAM NUT



STRIPPING DIMENSIONS
CRIMP HEX 3.84(.151)

73251-2161	GOLD 5u" MIN	TRAY
73251-2160	GOLD 30u" MIN	TRAY
PART NO.	CONTACT	PACKAGING
PS-9675-3460	ELEC/MECH PERFORMANCE	
MIL-STD-348A, FIG. 310.2	INTERFACE	
SPECIFICATION	DESCRIPTION	

CHG:ADDED -2161 PER PDR15072023 EC NO: URF2016-0139 DRWR:YEH 2015/08/24 CHKD: APPR:YCHENG 2015/08/26	DESCRIPTION
	REV
A1	

QUALITY SYMBOLS	GENERAL TOLERANCES (UNLESS SPECIFIED)
▽=0	mm INCH
▽=0	4 PLACES ± --- ± ---
▽=0	3 PLACES ± --- ± ---
	2 PLACES ± --- ± ---
	1 PLACE ± --- ± ---
	0 PLACE ± ±
	ANGULAR ± 2 °
	DRAFT WHERE APPLICABLE MUST REMAIN WITHIN DIMENSIONS

DIMENSION STYLE	SCALE	DESIGN UNITS	THIRD ANGLE PROJECTION
MM/IN	6:1	METRIC	
DRAWN BY	DATE	TITLE	
JM	2005/01/20	SMA JACK, BULKHEAD FOR RD316, 50 OHMS EWR-2004, SMA-JC/BLK	
CHECKED BY	DATE	molex	
JM	2005/01/20	DOCUMENT NO. SD-73251-216	
APPROVED BY	DATE	SHEET NO. 1 OF 1	
JDW	2005/01/20	THIS DRAWING CONTAINS INFORMATION THAT IS PROPRIETARY TO MOLEX INCORPORATED AND SHOULD NOT BE USED WITHOUT WRITTEN PERMISSION	