

MATERIAL NO.	ENGINEERING NO.	FINISHED LENGTH
1300062392	103106K13M150	49'2" (15M)
1300062393	103106K13M200	65'7" (20M)
1300062394	103106K13M060	19'8" (6M)

CABLE LENGTH TOLERANCES
>.3M [1FT]: +19mm-0 [+1.75in-0]
.3 - .9M [1 - 3FT]: +44.5mm-0 [+1.75in-0]
.9 - 1.8M [3 - 6FT]: +55.6mm-0 [+2.19in-0]
1.8 - 3.7M [6 - 12FT]: +88.9mm-0 [+3.50in-0]
3.7 - 7.3M [12 - 24FT]: +165.1mm-0 [+6.50in-0]
7.3-14.6M [24 - 48FT]: +317.5mm-0 [+12.50in-0]
14.6 - 30.5M [48-100FT]: +622.3mm-0 [+24.50in-0]
OVER 30M [100FT] +2% OF FINISHED LENGTH

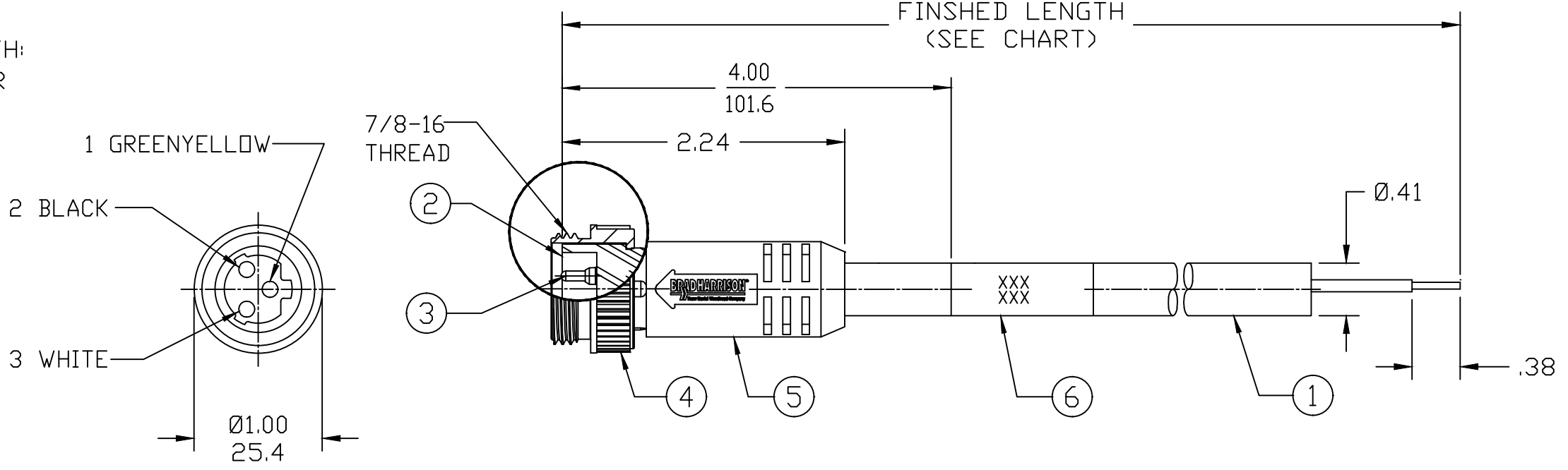
PART NUMBER LEGEND

103106K13M150

CABLE TYPE
16/3 TPE
HI-FLEX

FINISHED LENGTH:
M005= 0.5 METER
M010= 1 METER
M100= 10 METER

- NOTES:**
- MATERIAL: AS NOTED
 - FINISH: AS NOTED
 - ELECTRICAL:
VOLTAGE: 500V PER IEC60664
600V PER UL2238
CURRENT: 13A
 - TEMP RATING: -20°TO +90°C
 - PROTECTION: IP67 (WHEN MATED)
 - COUPLING THREAD: AS NOTED
 - UL LISTED FILE: E258922
 - ALL DIMS ARE FOR REFERENCE UNLESS NOTED OTHERWISE



CABLE MECHANICAL INFO:

TORSIONAL FLEX TEST	20 MILLION CYCLES PER MIL-C-13777G
BEND FLEX TEST	20 MILLION CYCLES PER MIL-C-13777G
WELD SLAG RESISTANCE	WOODHEAD STANDARD S-300

ITEM	QTY.	DESCRIPTION	MATERIAL	FINISH
6	1	WRAP LABEL	VINYL	BLACK/YELLOW
5	1	OVERMOLD	PVC	GRAY
4	1	COUPLING, A-SIZE, EXT. THREAD	ZINC DIE-CAST	BLACK
3	3	CONTACT PIN	Cu ALLOY	GOLD PLATED
2	1	INSERT, MALE, TRI KEY	PVC	BLACK
1	1	CABLE, 16/3	TPE JACKET	YELLOW

WAS RSD-130006-088 REV-A EC NO: IPG2018-0217 DRWN: RSTONE 2017/10/03 CHKD: M ZIELIN 2017/10/06 APPR: BWOODMAN2017/10/11	QUALITY SYMBOLS 	GENERAL TOLERANCES (UNLESS SPECIFIED)		DIMENSION STYLE IN/MM		SCALE ---	DESIGN UNITS INCH	THIRD ANGLE PROJECTION	
		4 PLACES	±---	±---	DRAWN BY	DATE	TITLE MINI-CHANGE CORD ASSY 3P, MALE EXT THD, STR TRI-KEY 16 AWG, TPE		
		3 PLACES	±---	±---	CHECKED BY	DATE			
		2 PLACES	±---	±---	APPROVED BY	DATE			
1 PLACE	±---	±---	BWOODMAN	2017/10/11					
DRAFT WHERE APPLICABLE MUST REMAIN WITHIN DIMENSIONS				SEE CHART		MATERIAL NO.		DOCUMENT NO. SD-130006-088	SHEET NO. 1 OF 1
A1		SIZE B		THIS DRAWING CONTAINS INFORMATION THAT IS PROPRIETARY TO MOLEX INCORPORATED AND SHOULD NOT BE USED WITHOUT WRITTEN PERMISSION					