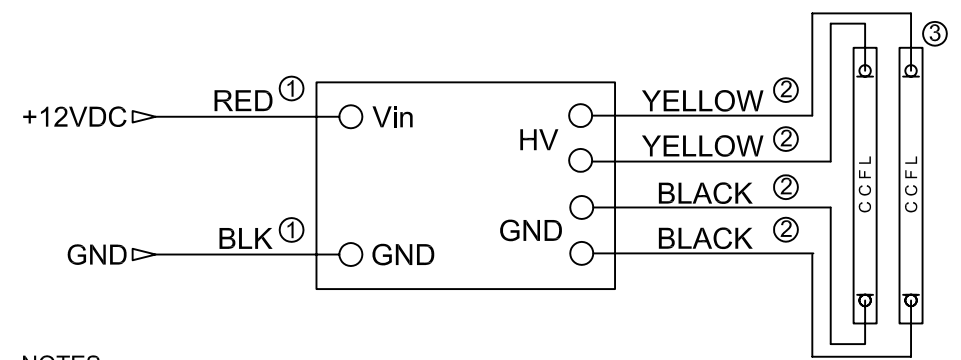
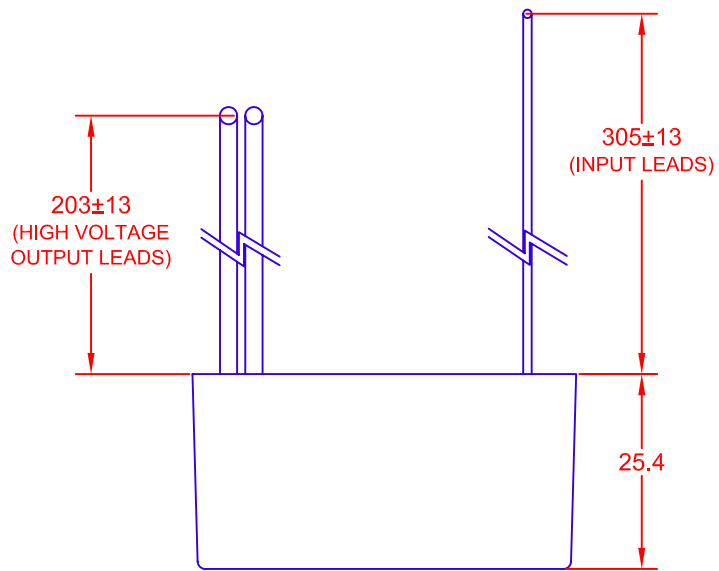
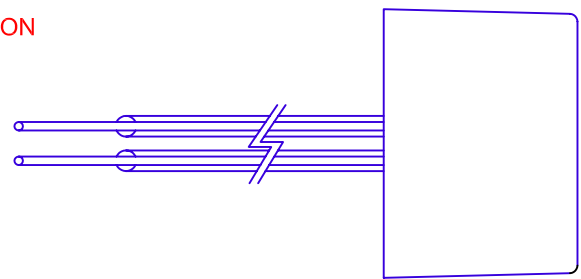
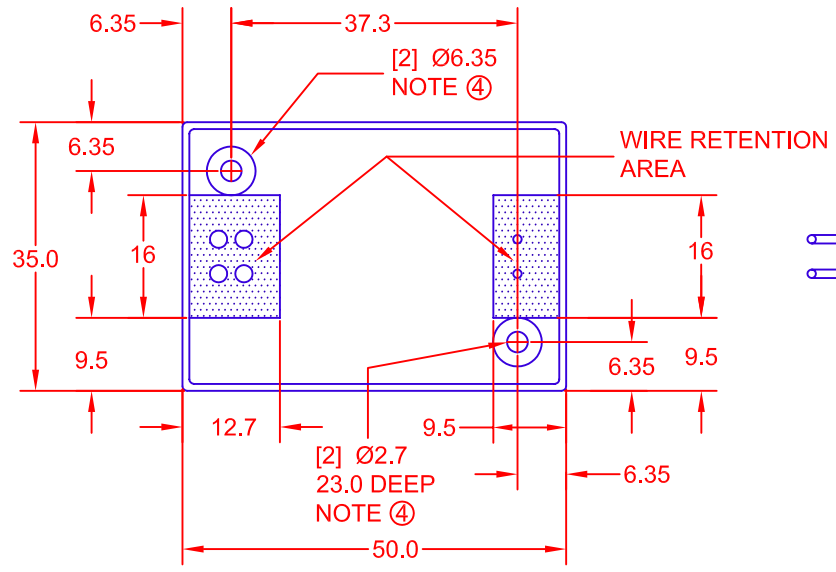


REV.	DESCRIPTION/ECO NO.	DATE
A	PROD. RELEASED	11/4/98
B	WIRE DESIGN PLACEMENT CORRECT.	12/9/03
C	ADD LOCATION OF WIRES IN COMPOUND & NOTES	7/12/07



- NOTES:
- ① REVERSE POLARITY TO INVERTER INPUT WILL CAUSE AN OPEN CIRCUIT IN INTERNAL FUSE.
 - ② WIRE SIZE 22 AWG, SOFT FLEXIBLE PVC INSULATION NOMINAL O.D. 2.3mm TEMPERATURE RANGE -80 TO +105 C.
 - ③ REFERENCE DRAWING BXA-12529 FOR SINGLE LAMP OPERATION.
 - ④ USE 6-32-0.75 INCH LONG TYPE F SCREWS IN LOCATIONS.

OPERATING SPECIFICATIONS

CHARACTERISTICS	MIN	TYP	MAX
INPUT VOLTAGE: (vdc)	10.0	12.0	13.2
INPUT CURRENT: (mA)	200	260	500
OUTPUT VOLTAGE: (Vrms)	950	1000	1050
OUTPUT CURRENT 2 X (mA)	4.5	5.5	6.5
OUTPUT FREQUENCY: (kHz)	25	35	45
OPERATING TEMP: (CELSIUS)	0	25	50

METRIC THIRD ANGLE PROJECTION	DIMENSIONS ARE IN MILLIMETERS	JKL COMPONENTS CORPORATION			
	TOLERANCE UNLESS OTHERWISE SPECIFIED 1 PL +/- 0.5 2 PL +/- 0.3 ANGLE +/- 0				
DRAWN BY L. WENGSTROM	APP'D BY L.R.	DATE 7/12/07	SIZE A	FSCM NO. 55335	DRAWING NO. BXA-12529/PS1
- CAD DRAWING - MANUAL REVISIONS NOT PERMITTED			SCALE NONE	RELEASED DATE 11/4/98	REVISION DATE 7/12/07
				REV. NO. C	SHEET 1 OF 1