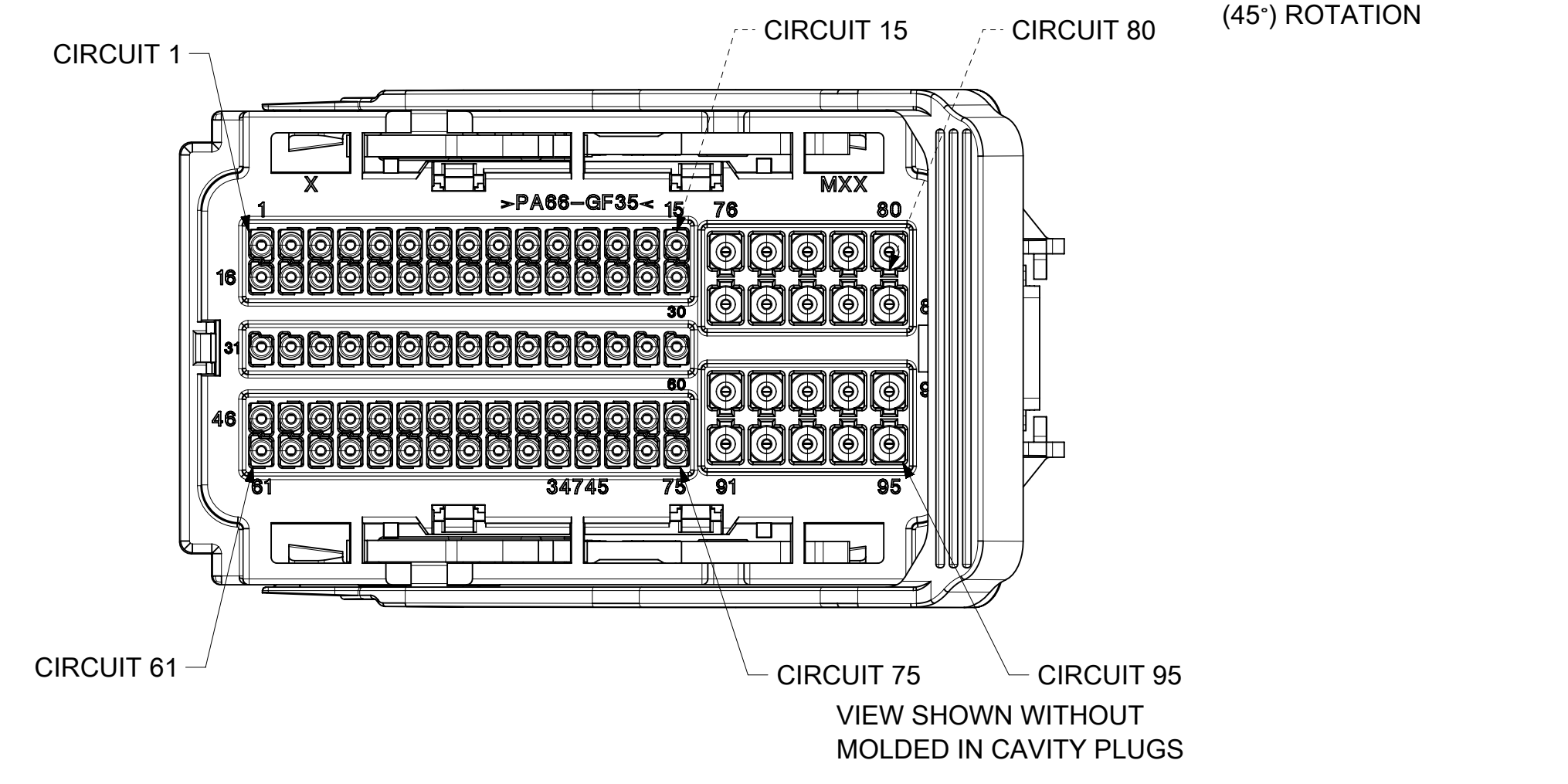
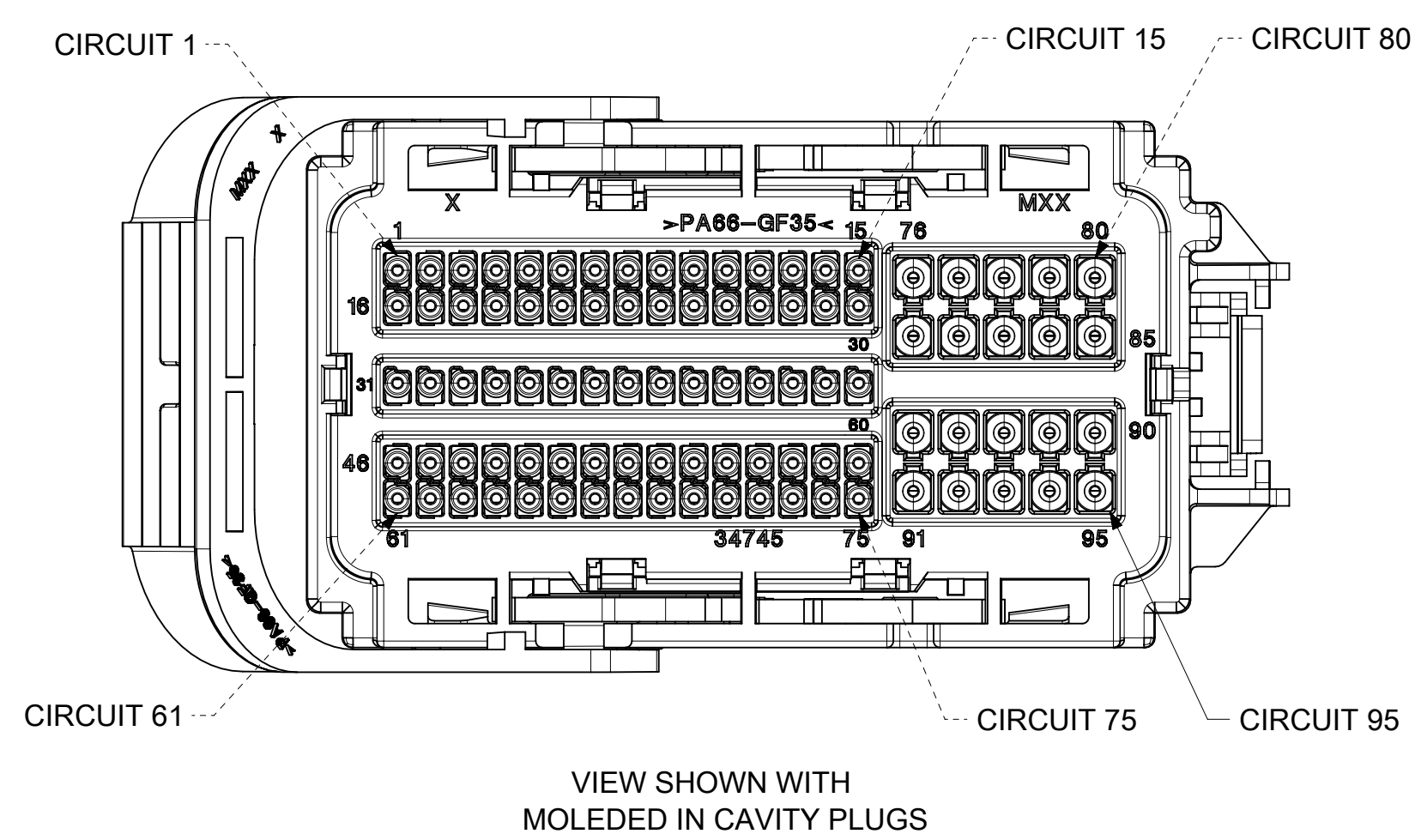
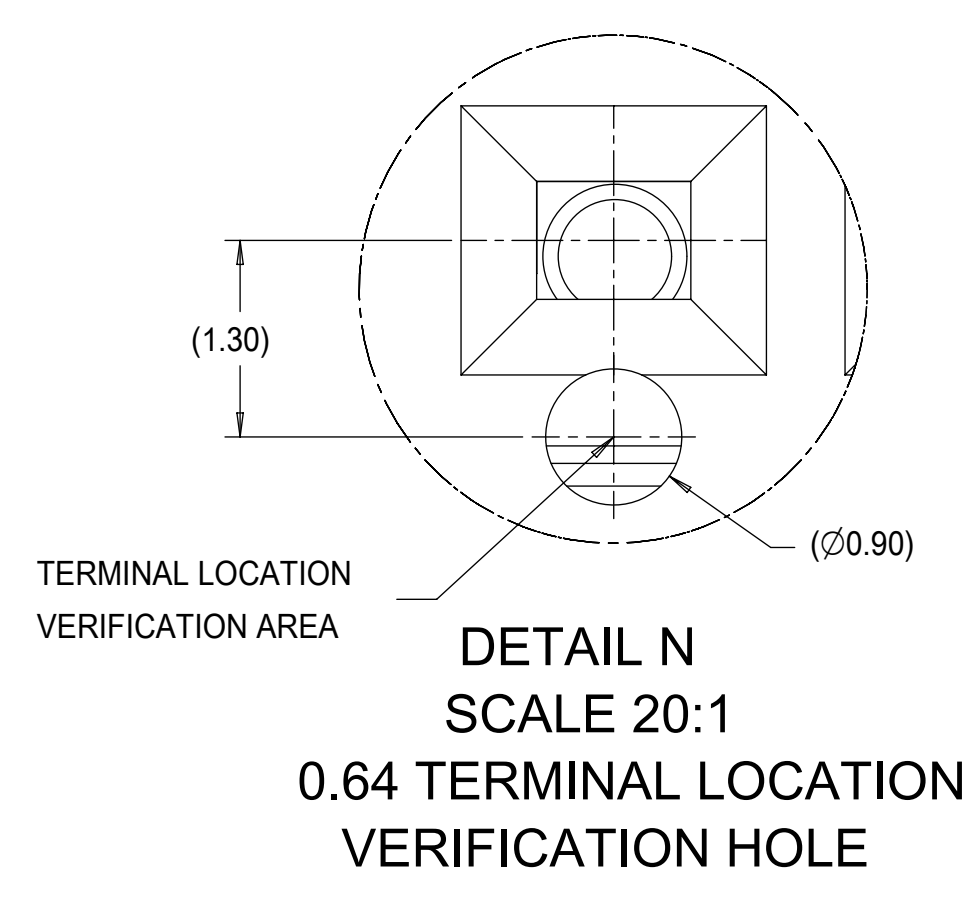
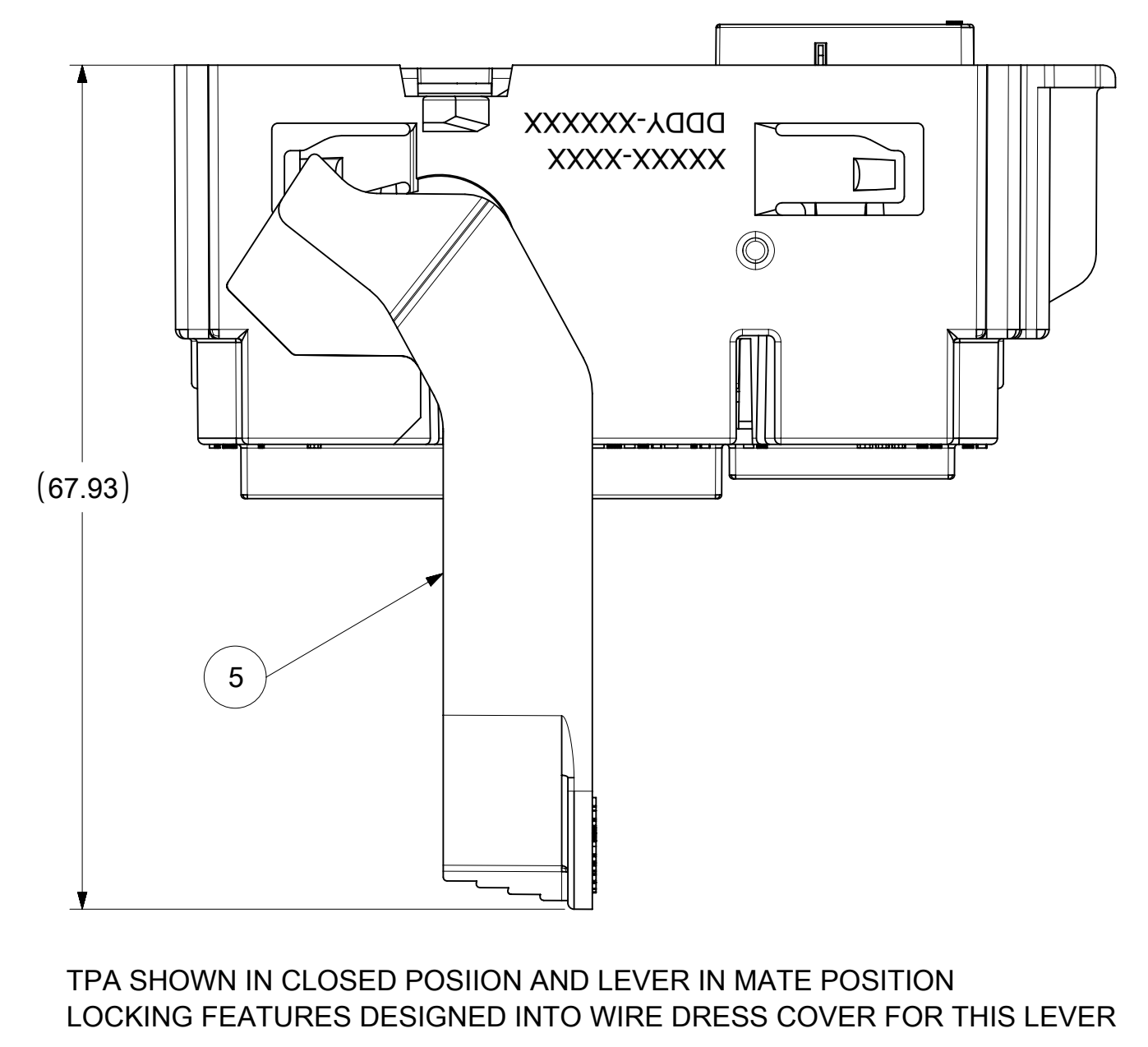
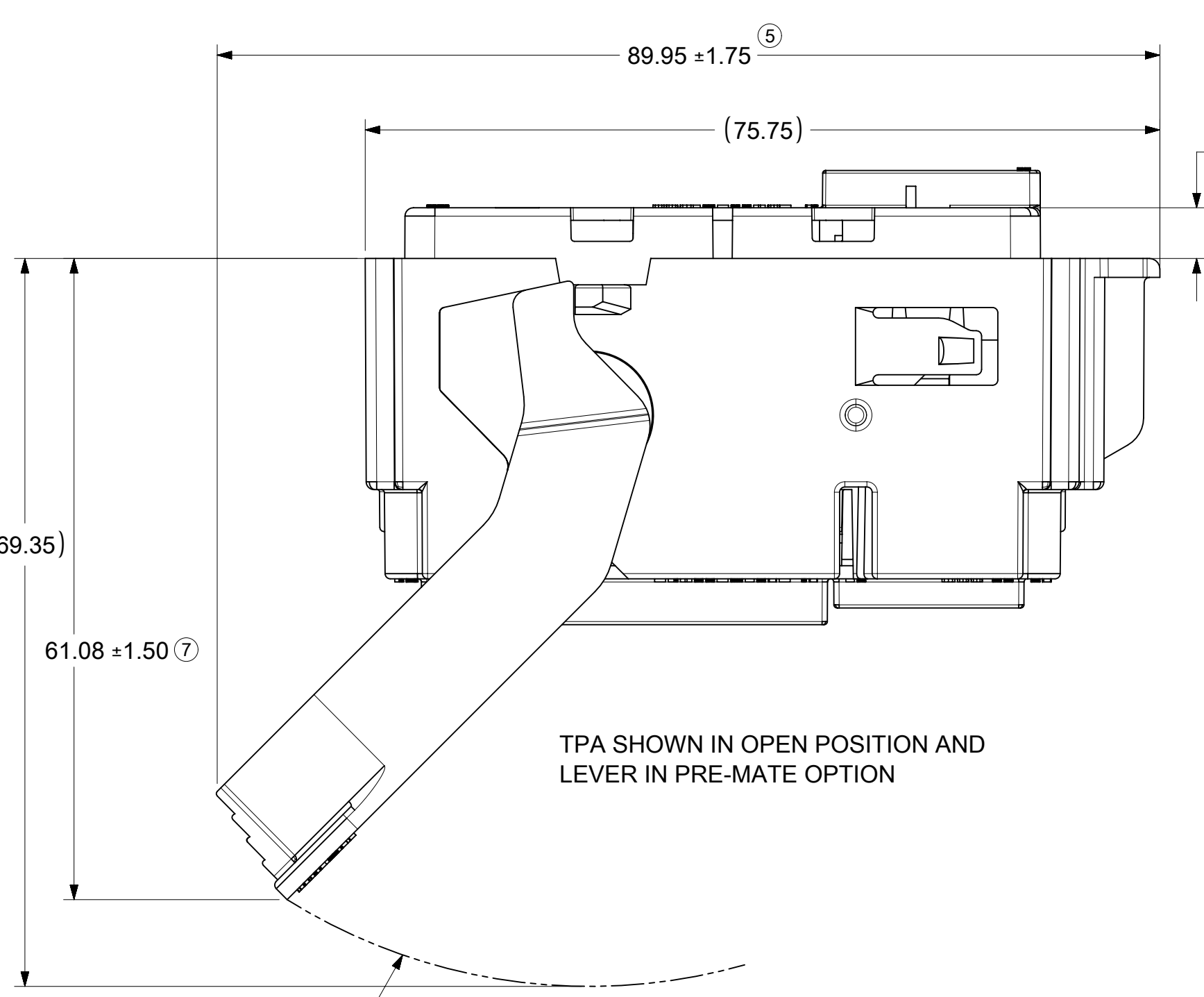
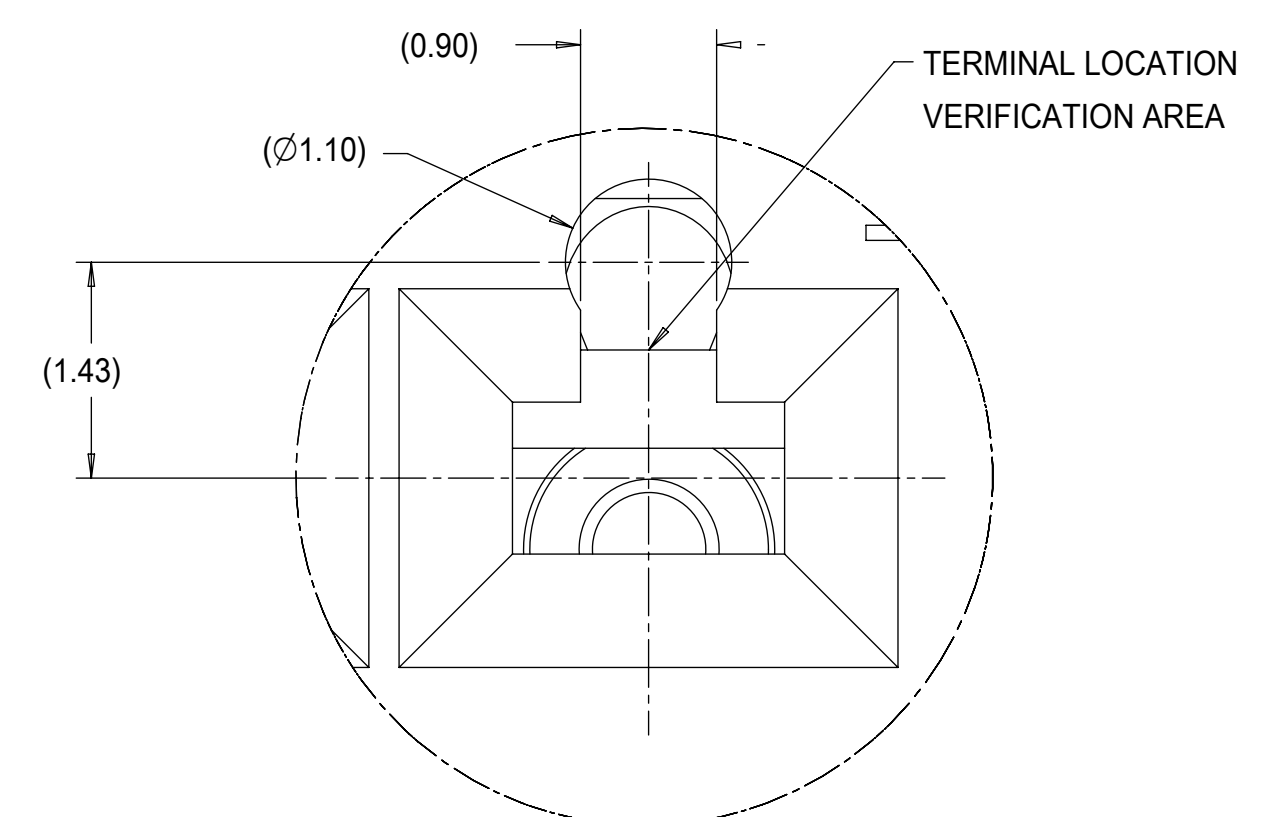
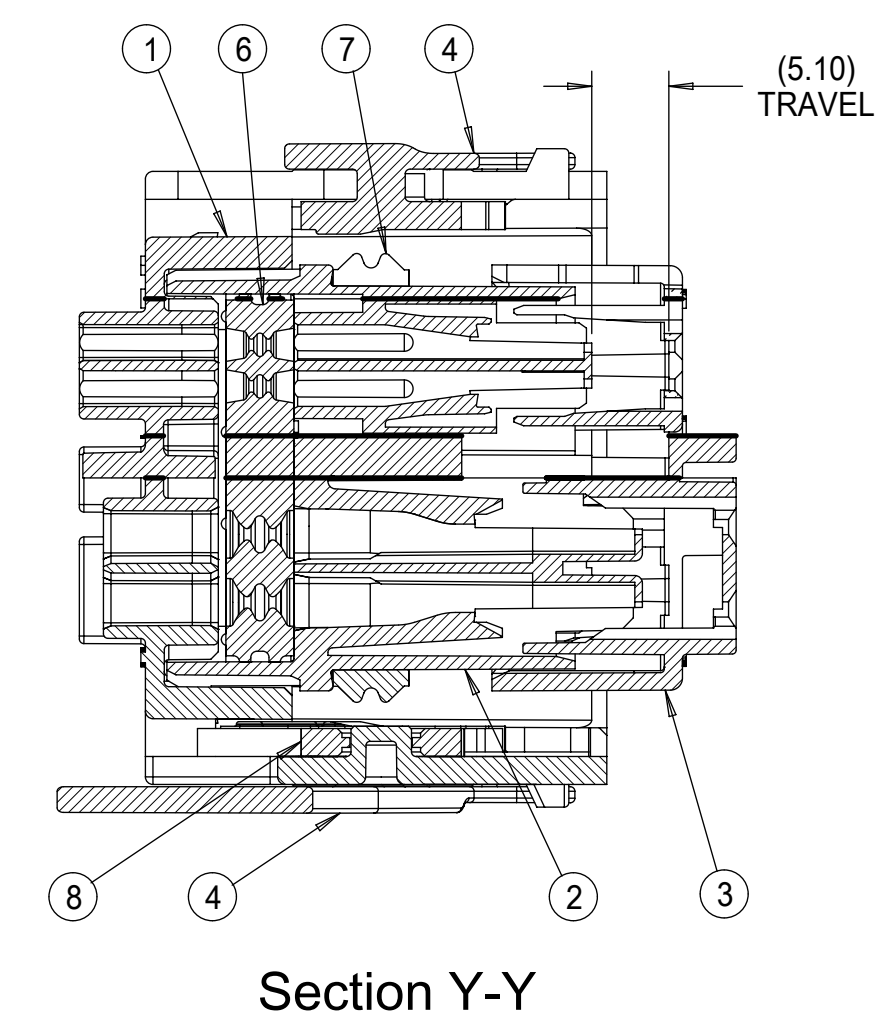


FULL SIZE VIEWS

TPA SHOWN IN OPEN POSITION AND LEVER IN PRE-MATE POSITION



AROUND-THE-END LEVER OPTION  
P/N 34992-0001, KEY 1



OVER-THE-TOP LEVER OPTION  
P/N 34992-1001, KEY 1

BILL OF MATERIAL									
QTY.	ITEMS	SUPPLIER PART NUMBER	DESCRIPTION	COLOR	RECYCLING CODE	WEIGHT (EST)			
	1	347450501	OUTER SHROUD HOUSING KEYING OPTION "1"	BLACK	>PA66-GF35<	26.24g			
	1	347450502	OUTER SHROUD HOUSING KEYING OPTION "2"	BLACK	>PA66-GF35<	26.24g			
	1	347450503	OUTER SHROUD HOUSING KEYING OPTION "3"	BLACK	>PA66-GF35<	26.24g			
	1	347450504	OUTER SHROUD HOUSING KEYING OPTION "4"	BLACK	>PA66-GF35<	26.24g			
1	1	347450505	OUTER SHROUD HOUSING KEYING OPTION "5"	BLACK	>PA66-GF35<	26.24g			
1	1	347450300	CAVITY SECTION HOUSING	BLACK	>PA66-GF35<	19.88g			
1	1	349920401	TPA	NATURAL	>PA66-GF35<	7.77g			
1	1	347450801	MATE ASSIST LEVER END LATCH	GRAY	>PA66-GF35<	6.54g			
1	1	347450802	MATE ASSIST LEVER TOP LATCH	GRAY	>PA66-GF35<	6.10g			
1	1	347450600	GROMMET SEAL	GREEN	NA	5.94g			
1	1	347450700	INTERFACIAL SEAL	GREEN	NA	1.47g			
2	2	347450805	LEVER ARM	GRAY	>PA66-GF35<	0.55g			
349929001									
349928001									
349927001									
349926001									
349925001									
349924001									
349923001									
349922001									
349921001									
349920001									
			MOLEX ASSY PART NUMBER						
			ALL CAVITY PLUGS REMOVED						

- NOTES: UNLESS OTHERWISE SPECIFIED
- PART MUST CONFORM TO USCAR/SAE-2 REV 5 DATED NOV2007. EXCEPTIONS: NONE
  - THE OPERATING ENVIRONMENT CRITERIA FOR THIS CONNECTOR SYSTEM IS USCAR TEMPERATURE CLASS 3, SEALING CLASS S3 AND VIBRATION CLASS V1.
  - ASSEMBLIES WILL ONLY PASS THE HIGH PRESSURE SPRAY REQUIREMENT WITH A WIRE DRESS COVER ATTACHED
  - MAXIMUM LEVER ENGAGEMENT FORCE POPULATED WITH TERMINALS IS NOT TO EXCEED 75N.
  - TERMINAL TPA/PLR IS SHIPPED TO HARNESS MANUFACTURER IN PRE-LOAD POSITION AS SHOWN.
  - ALL PLASTIC PARTS MUST HAVE MATERIAL IDENTIFICATION SYMBOLS CLEARLY MARKED, WHEREVER PACKAGE SIZE PERMITS.
  - ENGINEERING APPROVAL REQUIRED FOR ALL SOURCING AND TOOLING OF THIS PART.
  - FOR ENGINEERING APPROVED SOURCE SEE ENGINEERING RELEASE.
  - ENGINEERING APPROVAL OF SAMPLE FROM SUPPLIER IS REQUIRED PRIOR TO AUTHORIZATION OF PART PRODUCTION.
  - CHANGES IN DESIGN COMPOSITION OR PROCESSING OF THE PART PREVIOUSLY APPROVED FOR PART PRODUCTION REQUIRES PRIOR ENGINEERING APPROVAL.
  - GENERAL TOLERANCE:  
LINEAR DIMENSION: ±0.10  
ANGULAR DIMENSION: ±3°
  - 0.3 MAXIMUM RADIUS PERMISSIBLE ON EDGES AND FILLETS SHOWN AS SHARP FOR PLASTIC PARTS.
  - PARTS ARE TO BE FREE OF SCRATCHES, DISCOLORATION, SALT RESIDUE, OR OTHER IMPERFECTIONS THAT MAY AFFECT FUNCTION OR FIT OF PART.
  - 25% MAXIMUM REGRIND ALLOWABLE.
  - SEE MOLEX APPLICATION SPEC AS-34992-001 FOR CONNECTOR SERVICE & USAGE INSTRUCTIONS.
  - OPTIONAL WIREDRESS COVERS FOR THE AROUND-THE-END LEVER OPTION: ARE SHIPPED SEPARATELY.
  - WIREDRESS COVER FOR THE OVER-THE-TOP LEVER OPTION IS SHIPPED SEPARATELY.
  - OPTIONAL 0.64 LOOSE PIECE PLUG, 34676-0002 IS SHIPPED SEPARATELY.
  - OPTIONAL 1.5 LOOSE PIECE PLUG, 34345-4001, IS SHIPPED SEPARATELY.
  - MOLEX MX150 TERMINAL REMOVAL TOOL P/N 63813-1500.
  - MOLEX 0.64 TERMINAL REMOVAL TOOL P/N 63813-3501.
  - TPA/PLR MUST BE REMOVED TO SERVICE THE 0.64 TERMINALS.
  - TPA SEATING TOOL P/N 346760200 / 346760201 SEE SHEET 2 FOR ADDITIONAL INFORMATION
  - FOR PINOUT AND DRESS COVER CONFIGURATION CHART SEE DOCUMENT: 349920002-SD

DESCRIPTION	NOMINAL TERMINAL SIZE	COLOR/PLATING	SUPPLIER PART NUMBER	MATERIAL SPECIFICATION NUMBER	APPLICABLE WIRE SIZE
TERMINAL - FEMALE (Ag)	0.64	SILVER	2077131254	COPPER ALLOY/SILVER PLATE	MIL 123A ES-AU5T-1A348-AA REV. A 0.35mm <sup>2</sup> (DIA 1.20 - 1.40) 0.50mm <sup>2</sup> (DIA 1.40 - 1.70) 0.75mm <sup>2</sup> (DIA 1.70 - 1.90)
TERMINAL - FEMALE (Ag)	0.64	SILVER	2077131354	COPPER ALLOY/SILVER PLATE	---
TERMINAL - FEMALE (Sn)	1.50	TIN	330122003	COPPER ALLOY/TIN PLATE	22AWG (DIA 1.50 - 1.65)
TERMINAL - FEMALE (Sn)	1.50	TIN	330122004	COPPER ALLOY/TIN PLATE	0.35mm <sup>2</sup> (DIA 1.20 - 1.40) 0.50mm <sup>2</sup> (DIA 1.40 - 1.70) 20AWG (DIA 1.70 - 1.85) 0.75mm <sup>2</sup> (DIA 1.70 - 1.90)
TERMINAL - FEMALE (Sn)	1.50	TIN	330122002	COPPER ALLOY/TIN PLATE	18AWG (DIA 1.91 - 2.06) 0.80mm <sup>2</sup>
TERMINAL - FEMALE (Sn)	1.50	TIN	330122001	COPPER ALLOY/TIN PLATE	16AWG (DIA 2.18 - 2.34) 1.50mm <sup>2</sup> (DIA 2.20 - 2.40)

THIS DRAWING CONTAINS INFORMATION THAT IS PROPRIETARY TO MOLEX ELECTRONIC TECHNOLOGIES, LLC AND SHOULD NOT BE USED WITHOUT WRITTEN PERMISSION

SYMBOLS

▽ = 0	mm	SCALE 2:1
▽ = 0	GENERAL TOLERANCES (UNLESS SPECIFIED)	
▽ = 0	ANGULAR TOL	±
▽ = 0	4 PLACES	±
▽ = 0	3 PLACES	±
▽ = 0	2 PLACES	±
▽ = 0	1 PLACE	±
▽ = 0	0 PLACES	±
■ = 0	DRAFT WHERE APPLICABLE MUST REMAIN WITHIN DIMENSIONS	
▽ = 0	THIRD ANGLE PROJECTION	

CURRENT REV DESC: NOTE AND TABLE UPDATED

EC NO: 677806

DRWN: NBOHIDAR 2021/09/15

CHK'D: BDICK01 2021/09/28

APPR: BDICK01 2021/09/28

INITIAL REVISION:

DRWN: NBOHIDAR 2018/09/01

APPR: APROFFITT 2018/09/07

THIRD ANGLE PROJECTION

E-SIZE 34992

CHARTED

GENERAL MARKET

1 OF 3

**molex**

GPEC IV CONNECTOR ASSEMBLY  
95 CIRCUIT

PRODUCT CUSTOMER DRAWING

DOCUMENT NUMBER: 349920001-SD

DOC TYPE: PSD

DOC PART: 000

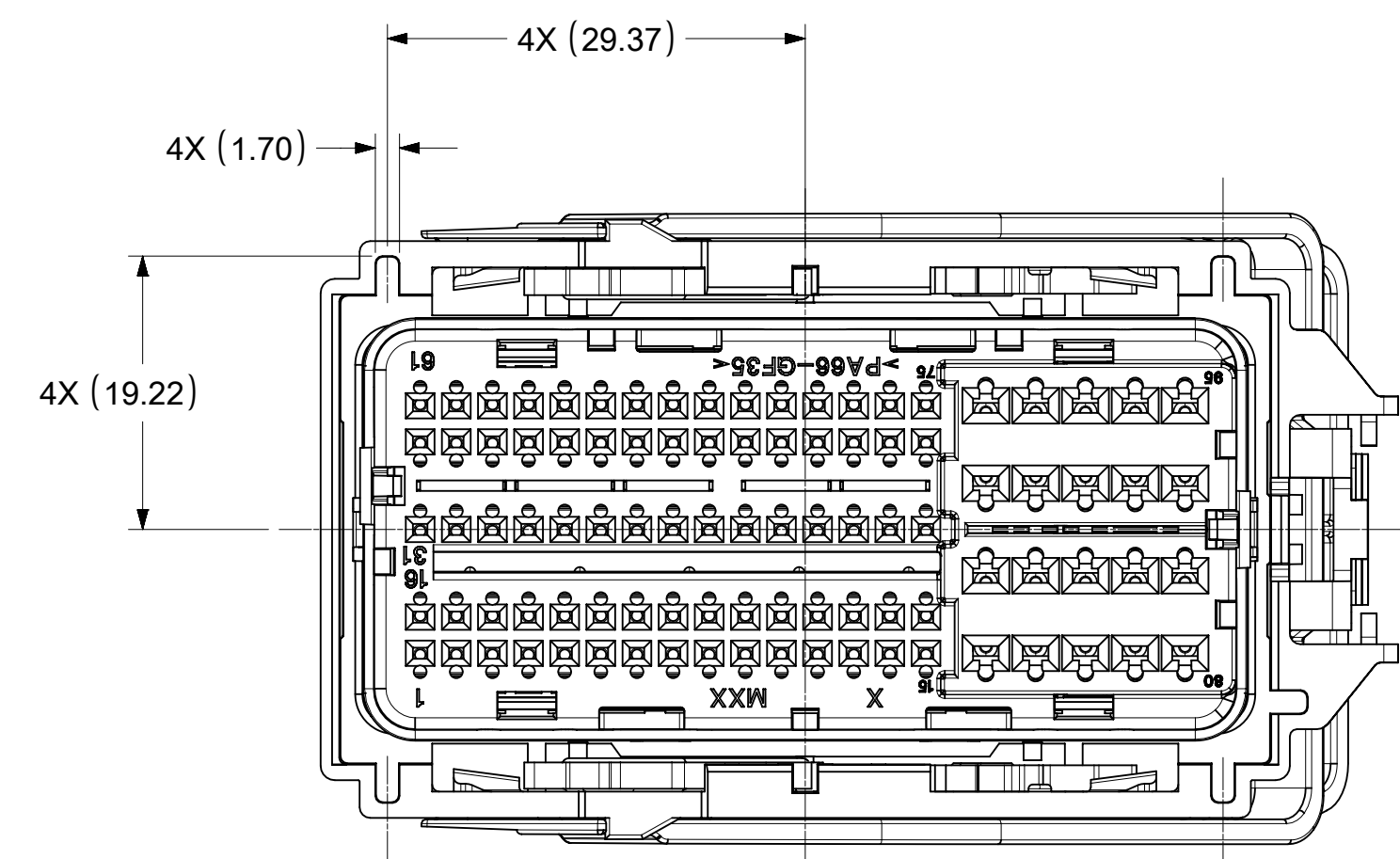
REVISION: A8

MATERIAL NUMBER

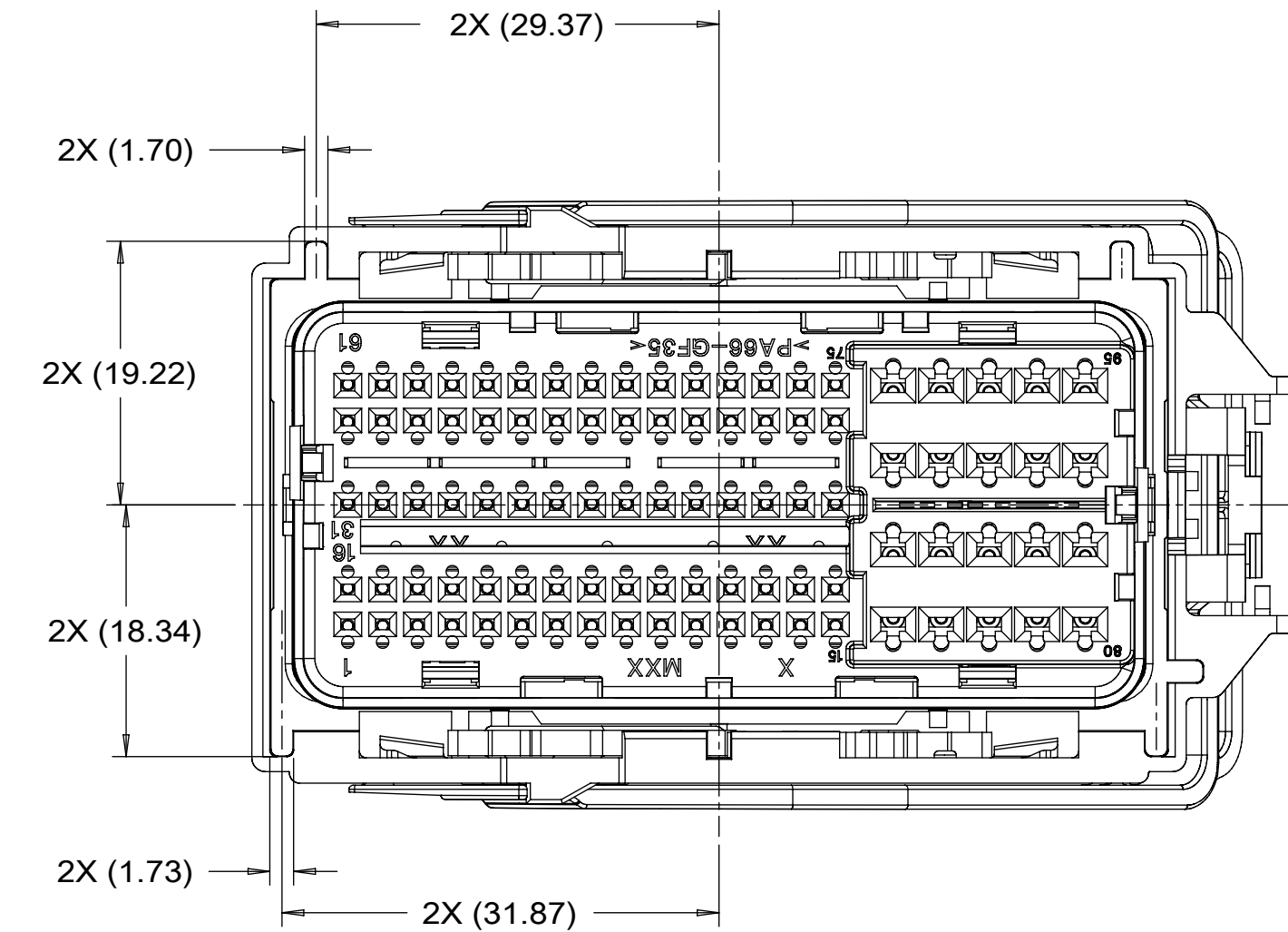
CUSTOMER

SHEET NUMBER

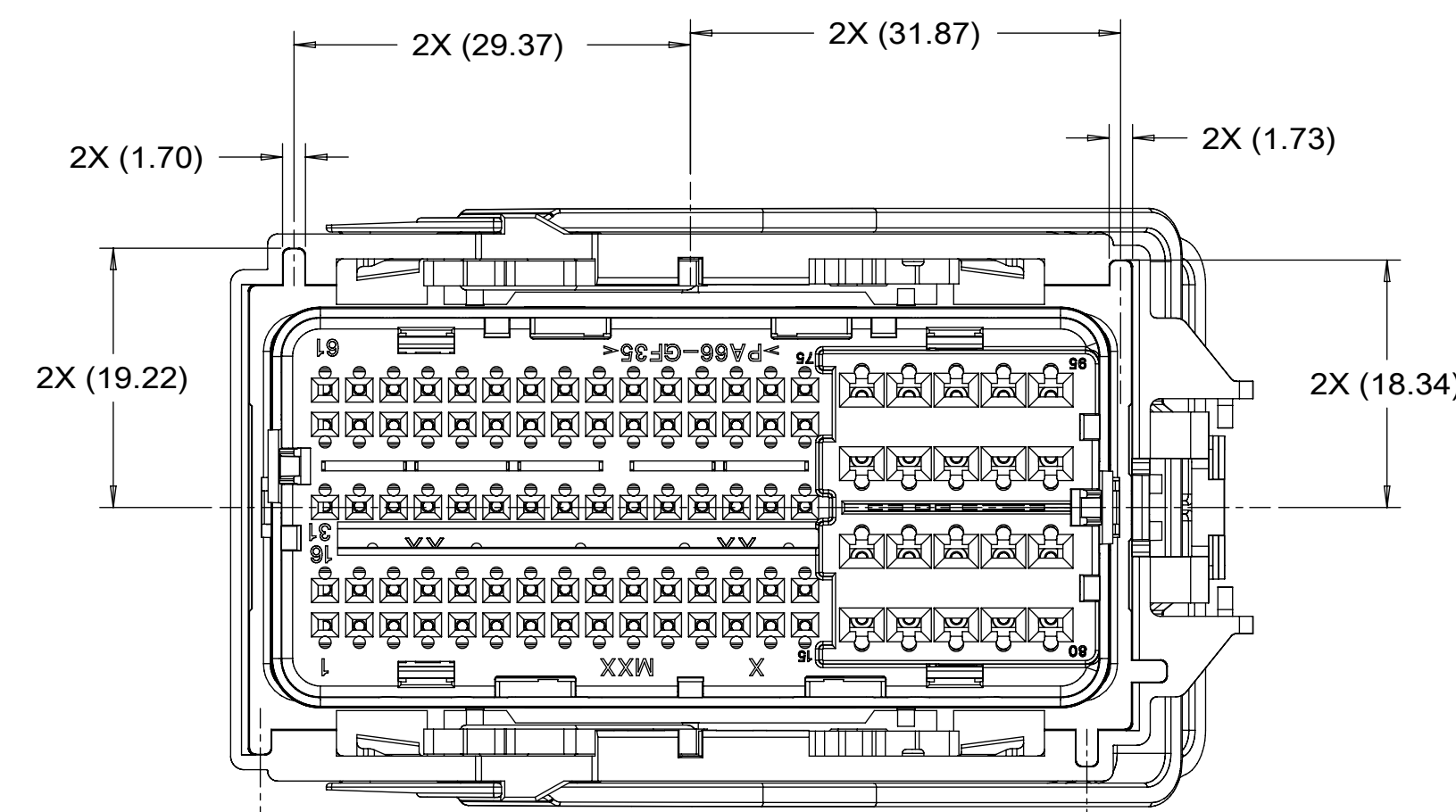
# KEYWAY DEFINITION



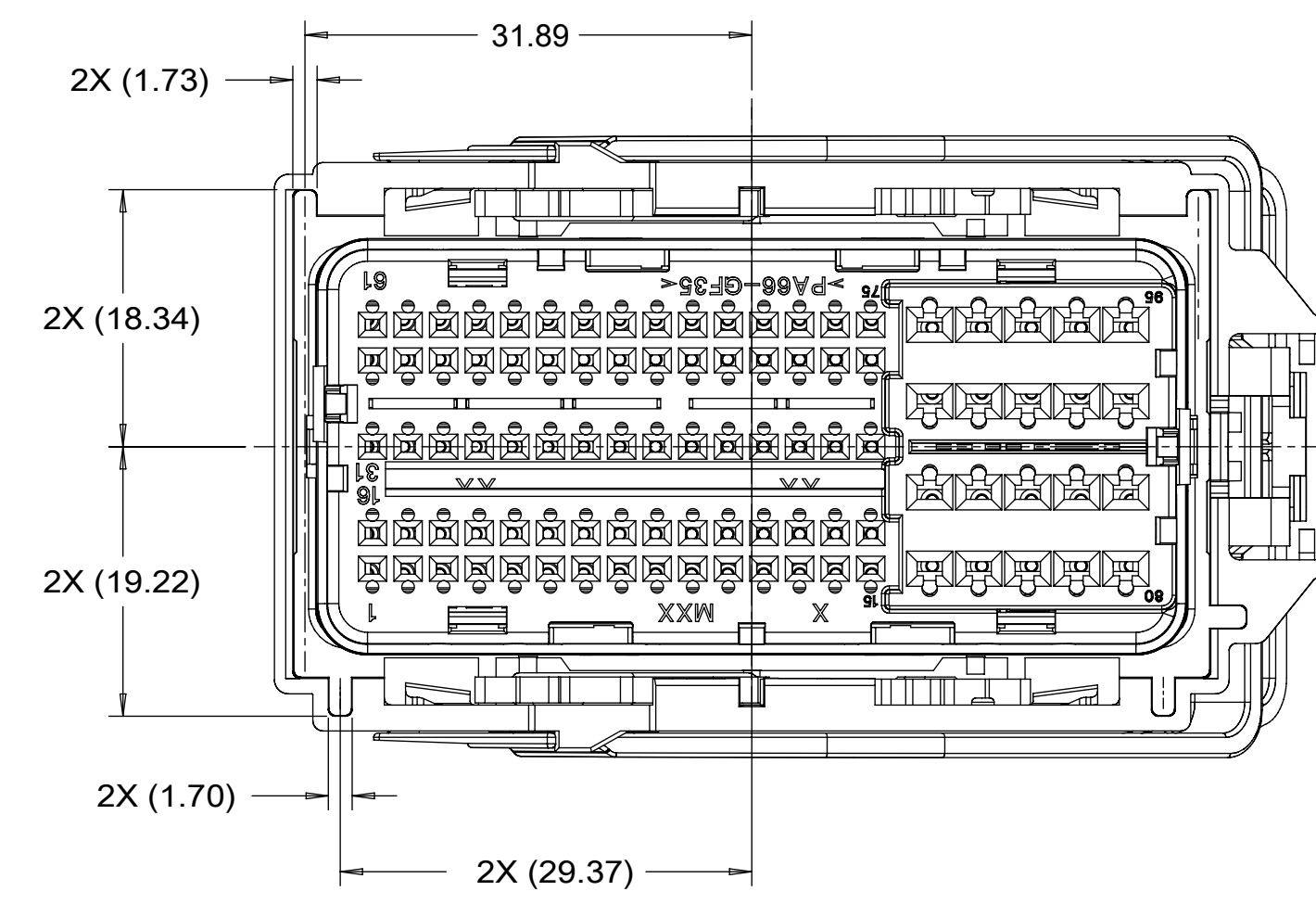
34992-0XXX (END LATCH LEVER)  
34992-1XXX (TOP LATCH LEVER)  
KEY OPTION 1



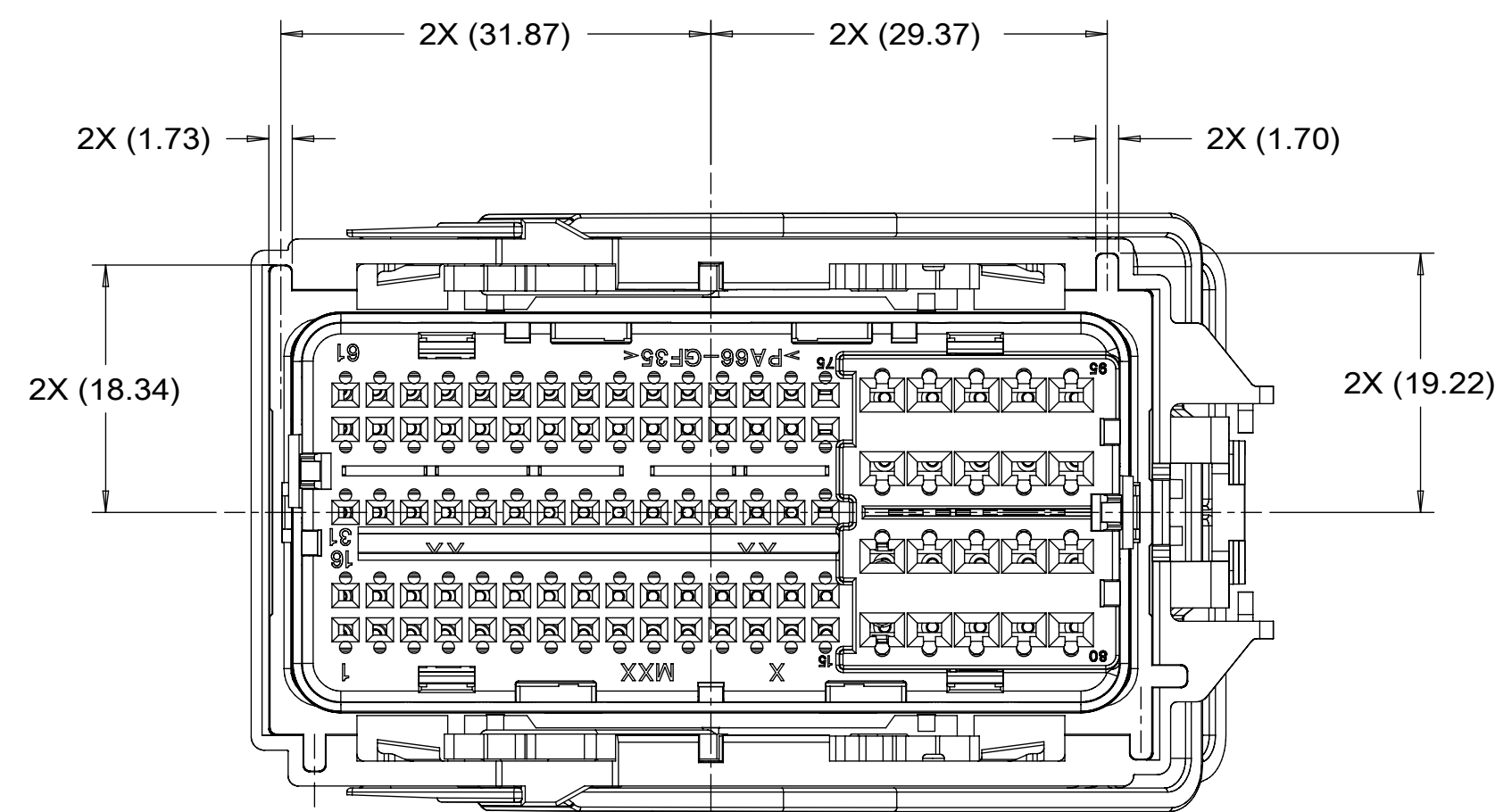
34992-6XXX (END LATCH LEVER)  
34992-7XXX (TOP LATCH LEVER)  
KEY OPTION 4



34992-2XXX (END LATCH LEVER)  
34992-3XXX (TOP LATCH LEVER)  
KEY OPTION 2

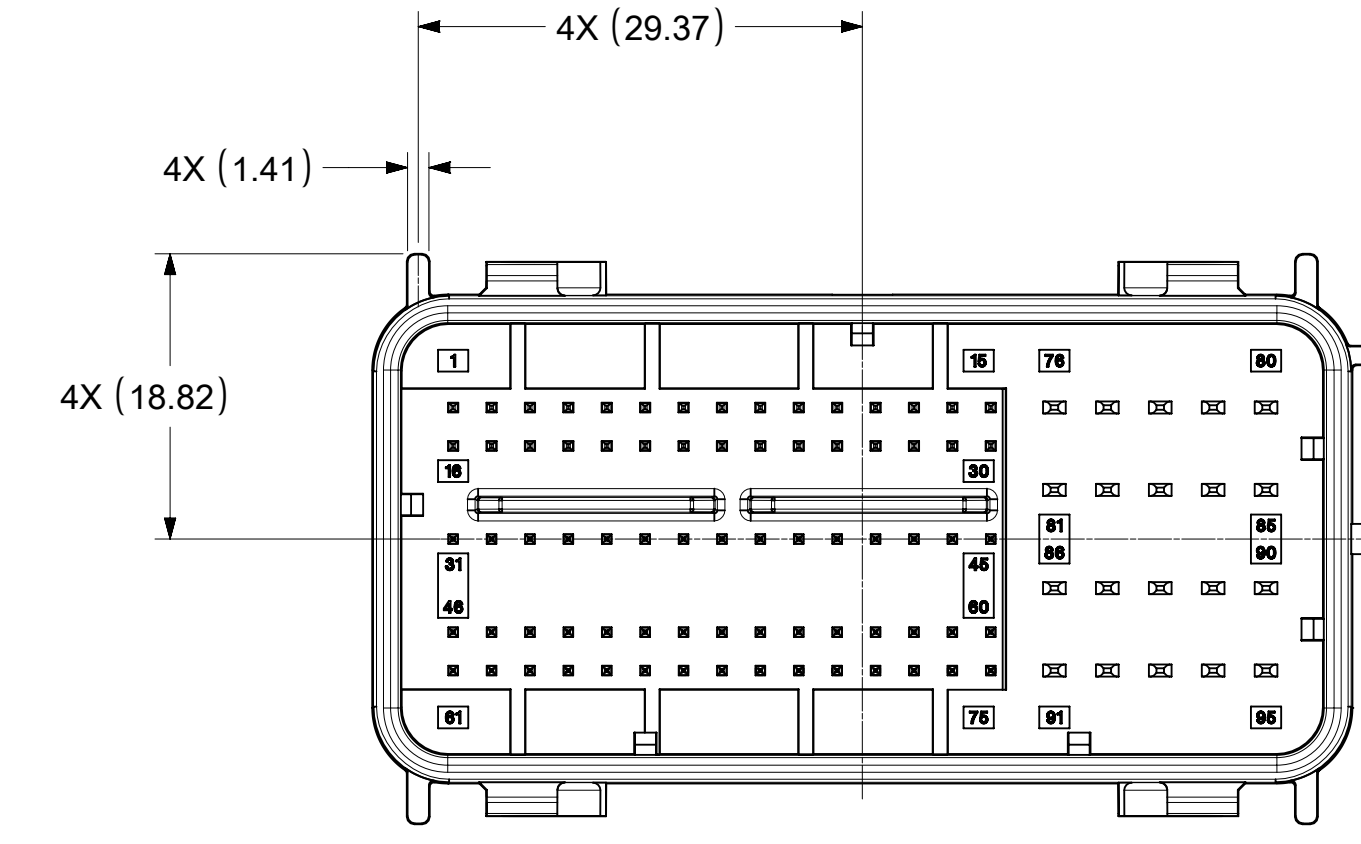


34992-8XXX (END LATCH LEVER)  
34992-9XXX (TOP LATCH LEVER)  
KEY OPTION 5

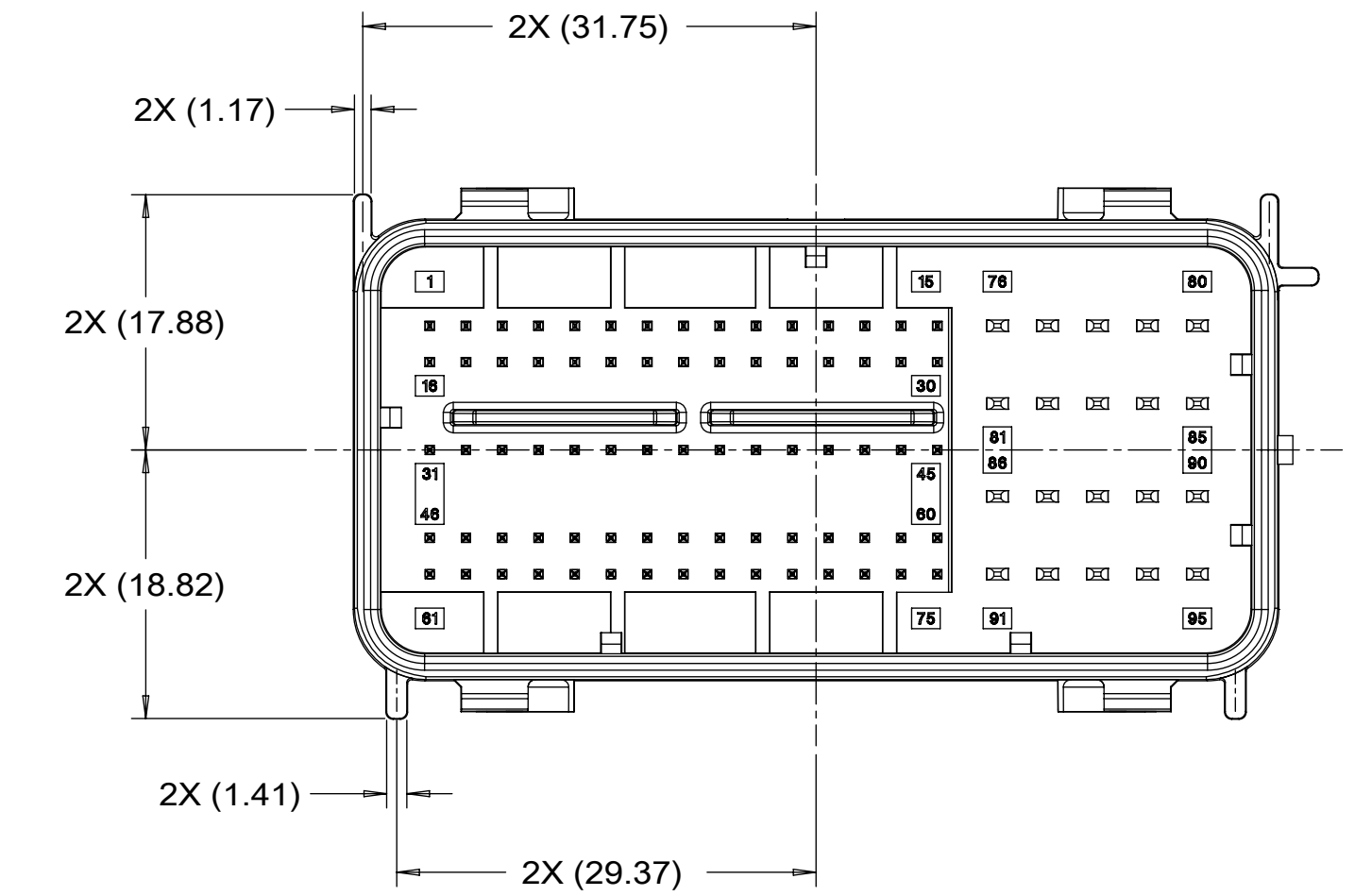


34992-4XXX (END LATCH LEVER)  
34992-5XXX (TOP LATCH LEVER)  
KEY OPTION 3

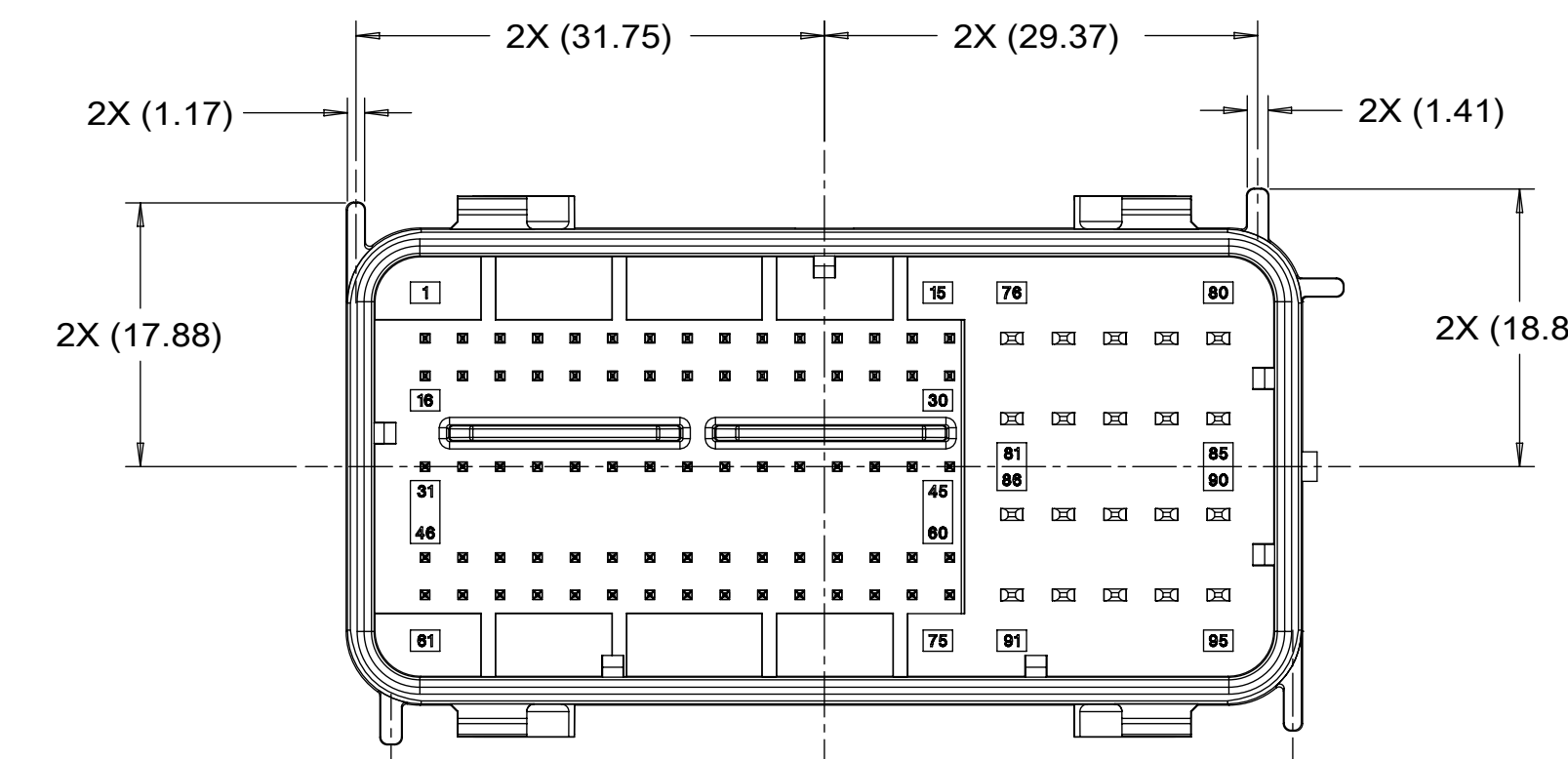
# RECOMMENDED MATING INTERFACE



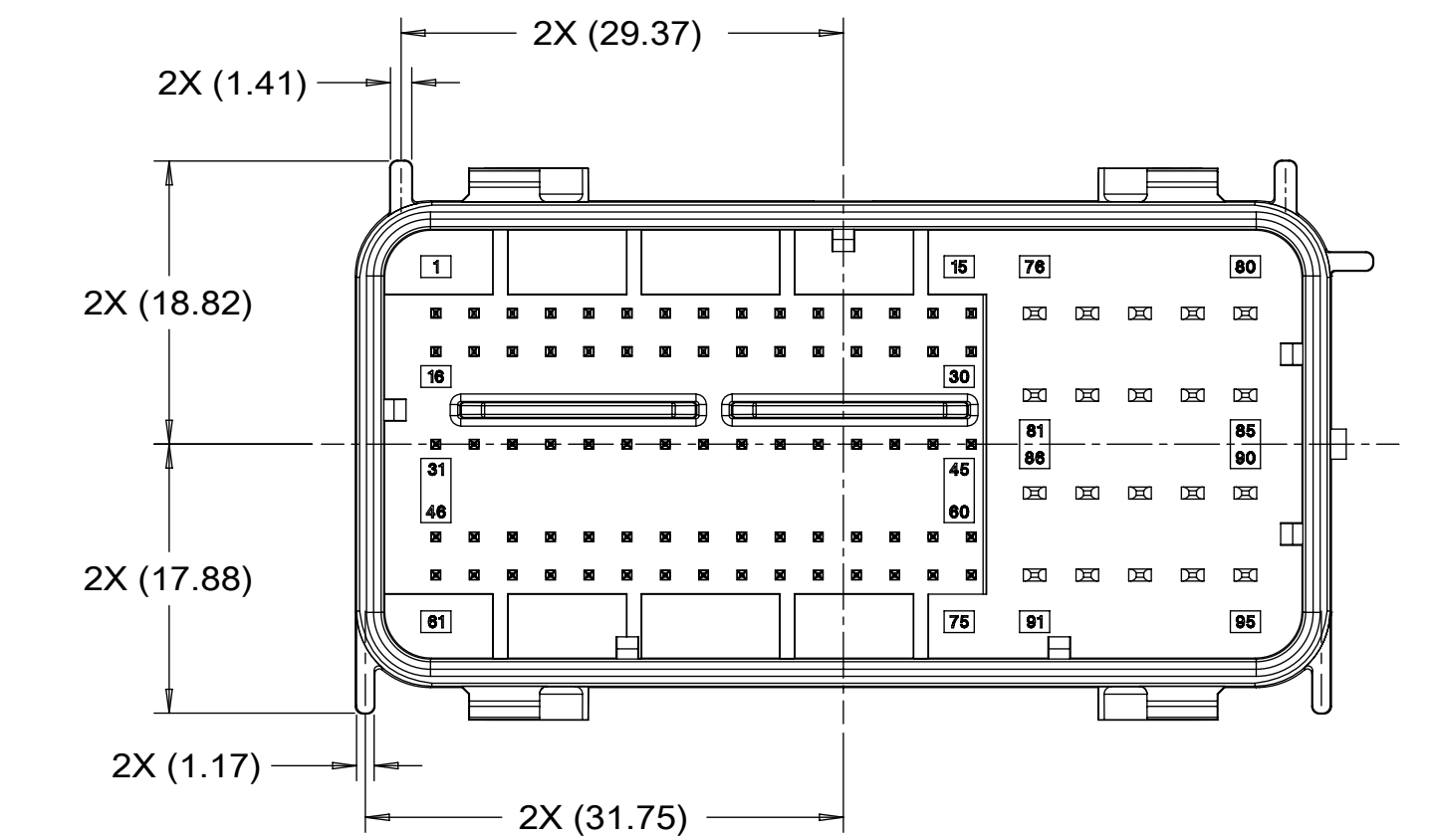
KEY OPTION 1



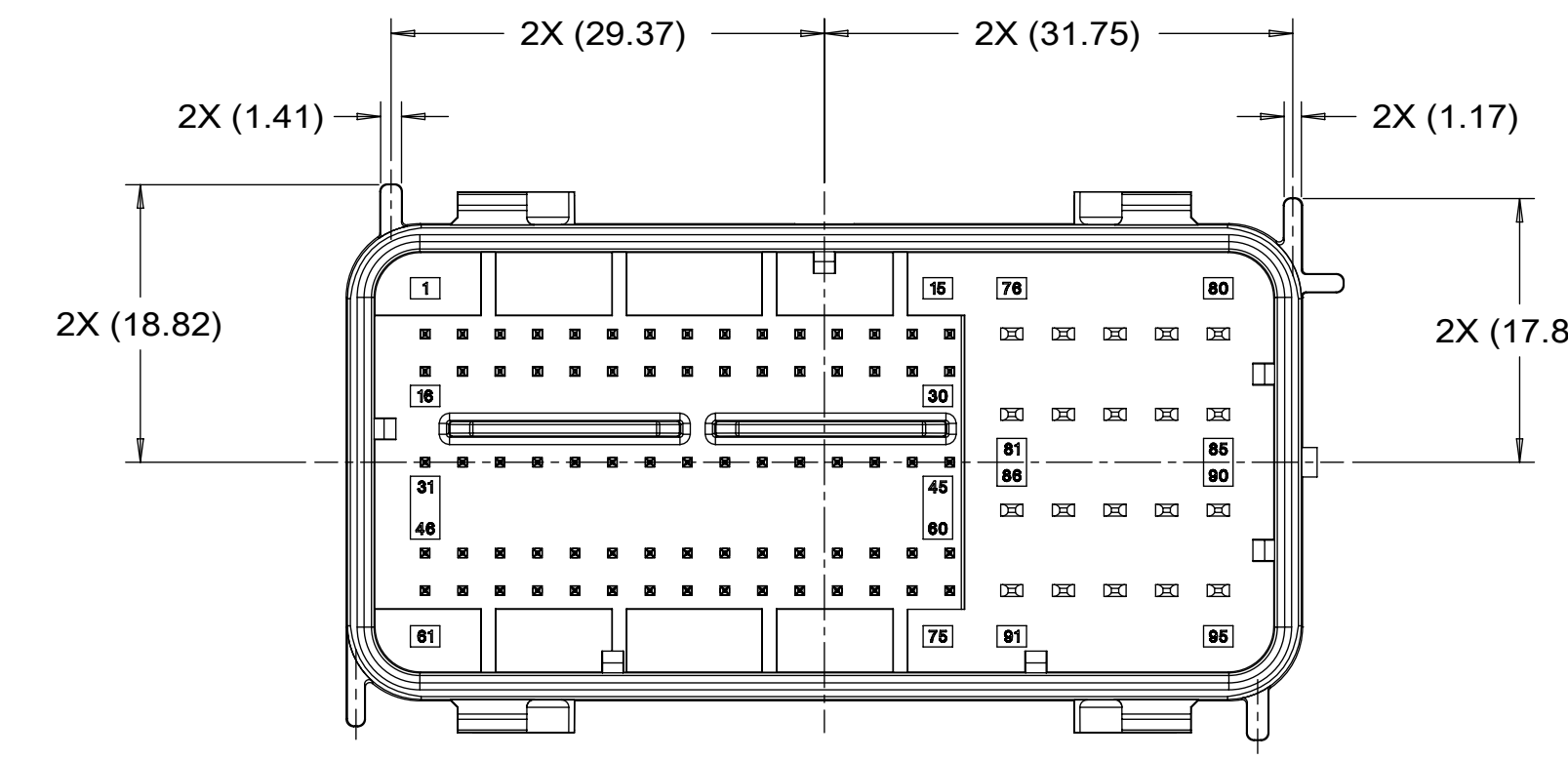
KEY OPTION 4



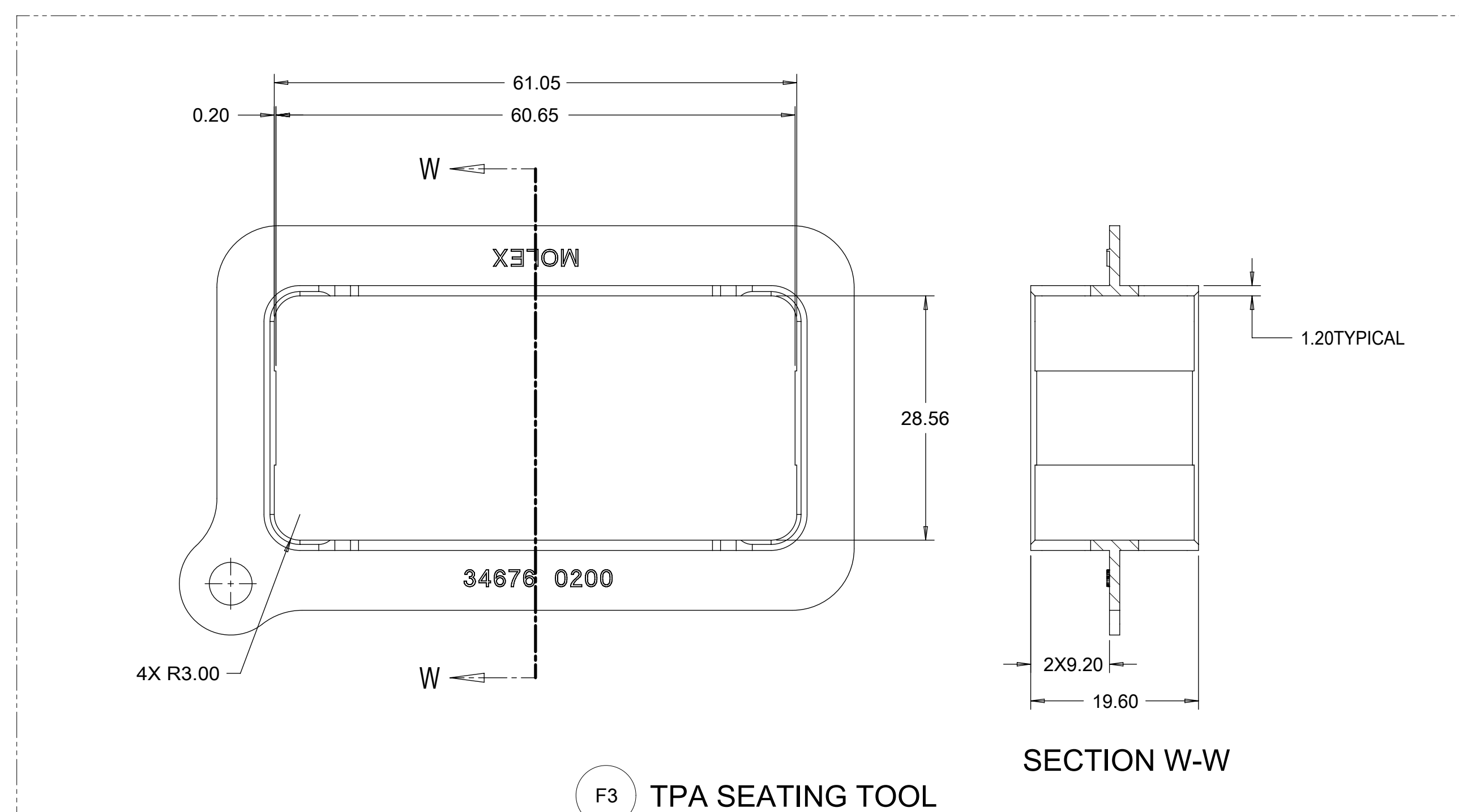
KEY OPTION 2



KEY OPTION 5



KEY OPTION 3



SYMBOLS	THIS DRAWING CONTAINS INFORMATION THAT IS PROPRIETARY TO MOLEX ELECTRONIC TECHNOLOGIES, LLC AND SHOULD NOT BE USED WITHOUT WRITTEN PERMISSION		
	DIMENSION UNITS	SCALE	CURRENT REV DESC: NOTE AND TABLE UPDATED
▽ = 0	mm	2:1	EC NO: 677806 DRWN: NBOHIDAR 2021/09/15 CHK'D: BDICK01 2021/09/28 APPR: BDICK01 2021/09/28
▽ = 0	GENERAL TOLERANCES (UNLESS SPECIFIED)		
▽ = 0	ANGULAR TOL	±	INITIAL REVISION: DRWN: NBOHIDAR 2018/09/01 APPR: APROFFITT 2018/09/07
▽ = 0	4 PLACES	±	
▽ = 0	3 PLACES	±	DOCUMENT NUMBER: 349920001-SD DOC TYPE: PSD DOC PART: 000 REVISION: A8
▽ = 0	2 PLACES	±	
▽ = 0	1 PLACE	±	MATERIAL NUMBER: CHARTED CUSTOMER: GENERAL MARKET SHEET NUMBER: 2 OF 3
▽ = 0	0 PLACES	±	
■ = 0	DRAFT WHERE APPLICABLE MUST REMAIN WITHIN DIMENSIONS	THIRD ANGLE PROJECTION	E-SIZE 34992

**molex**

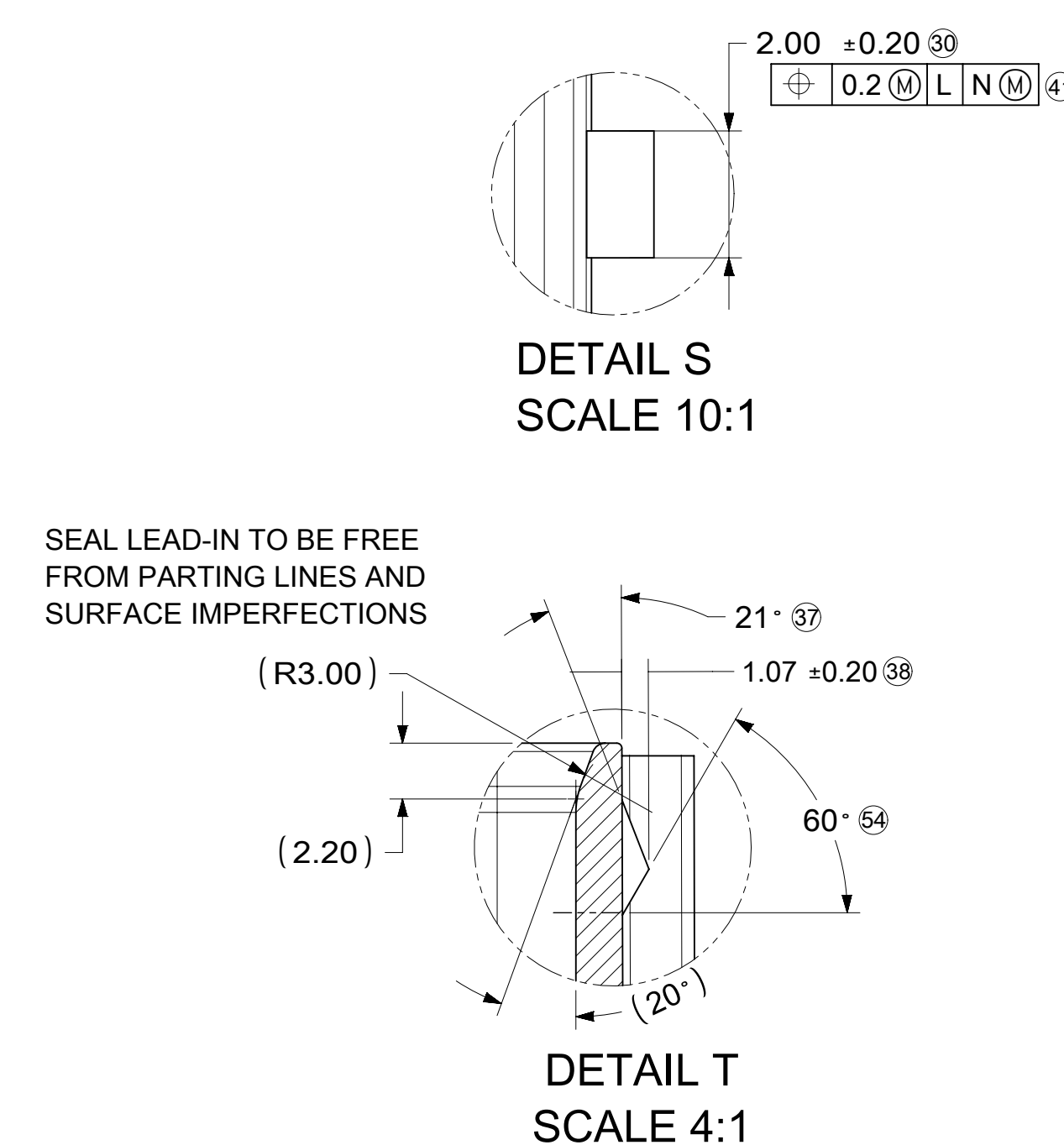
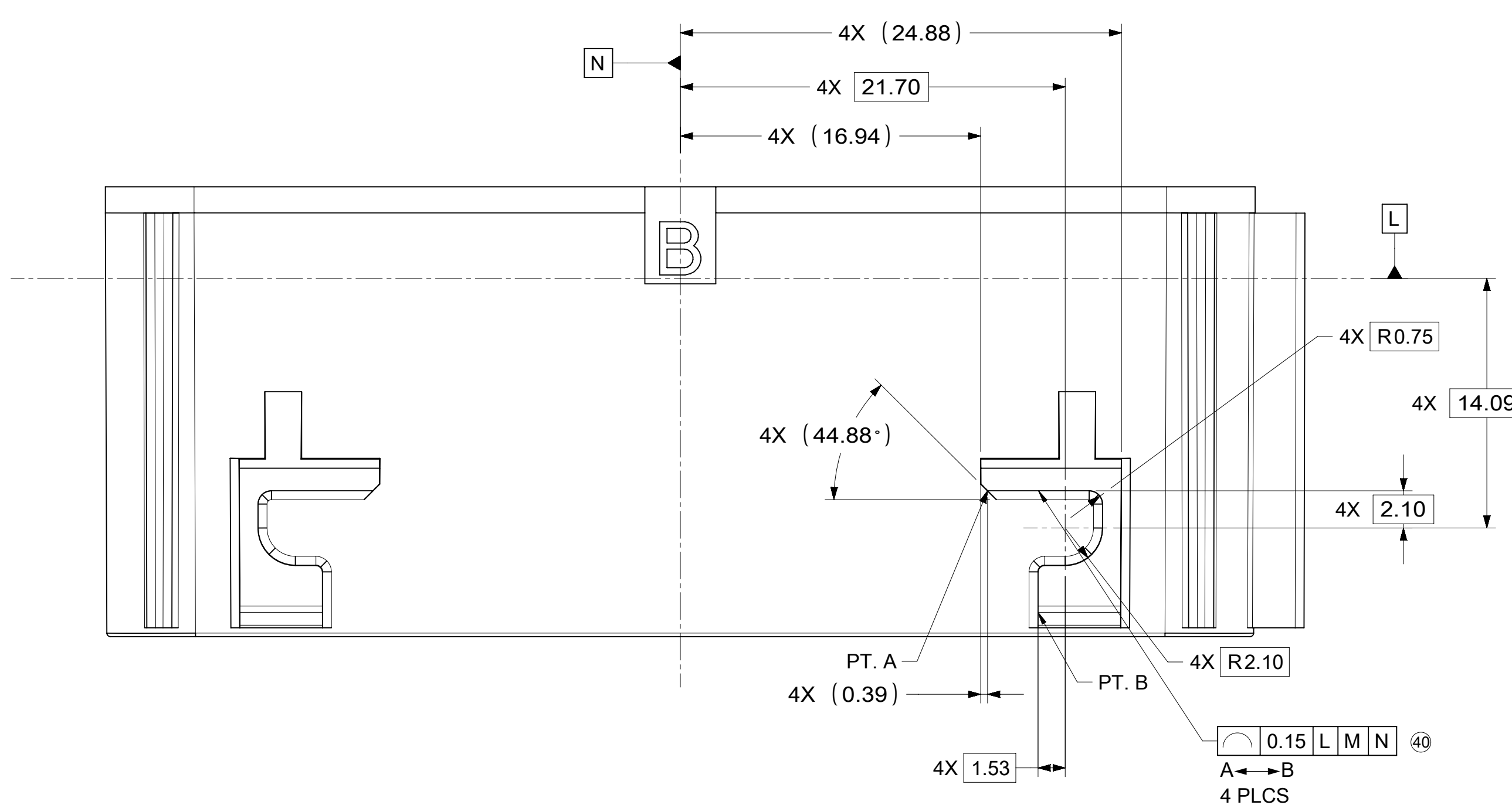
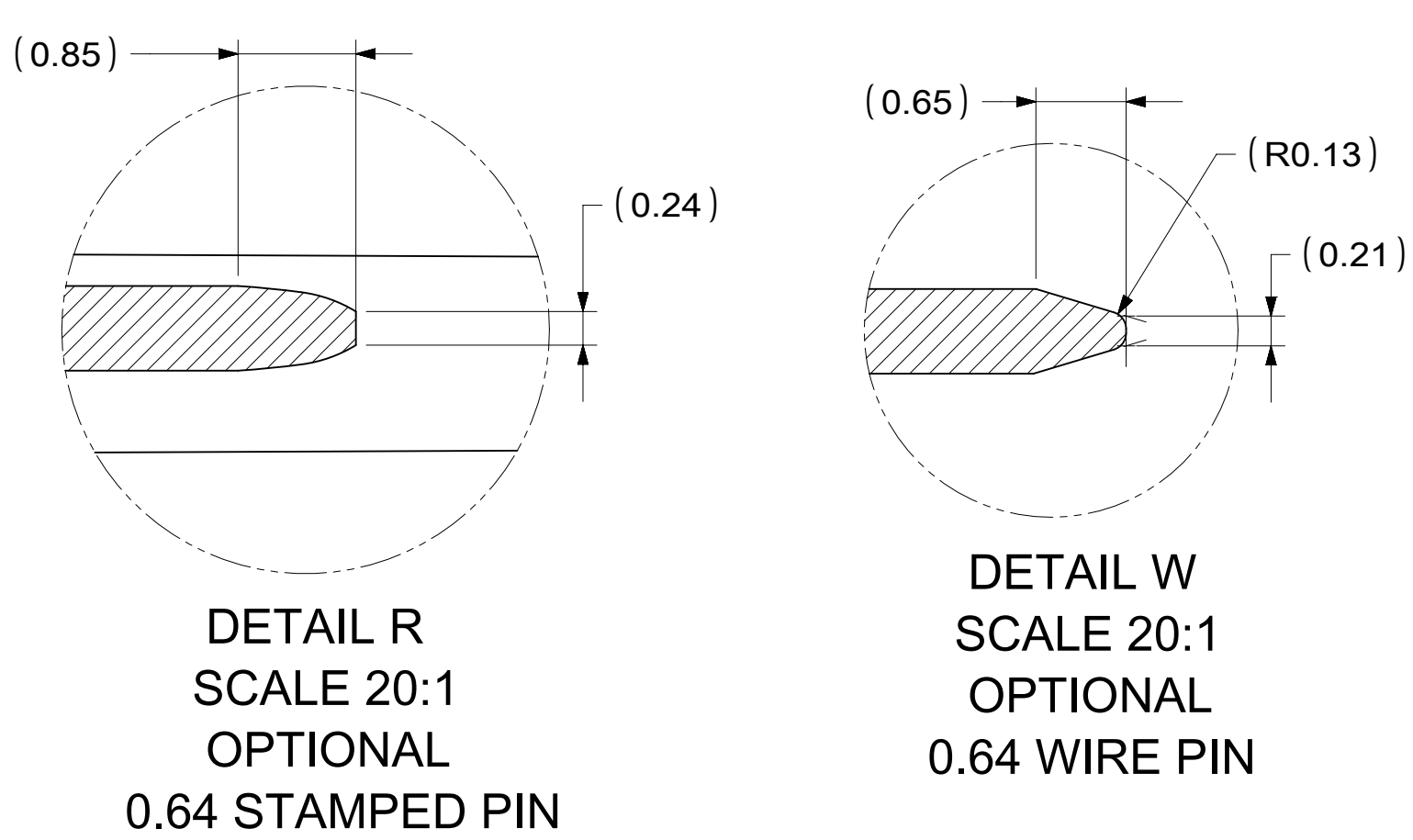
GPEC IV CONNECTOR ASSEMBLY  
95 CIRCUIT

PRODUCT CUSTOMER DRAWING

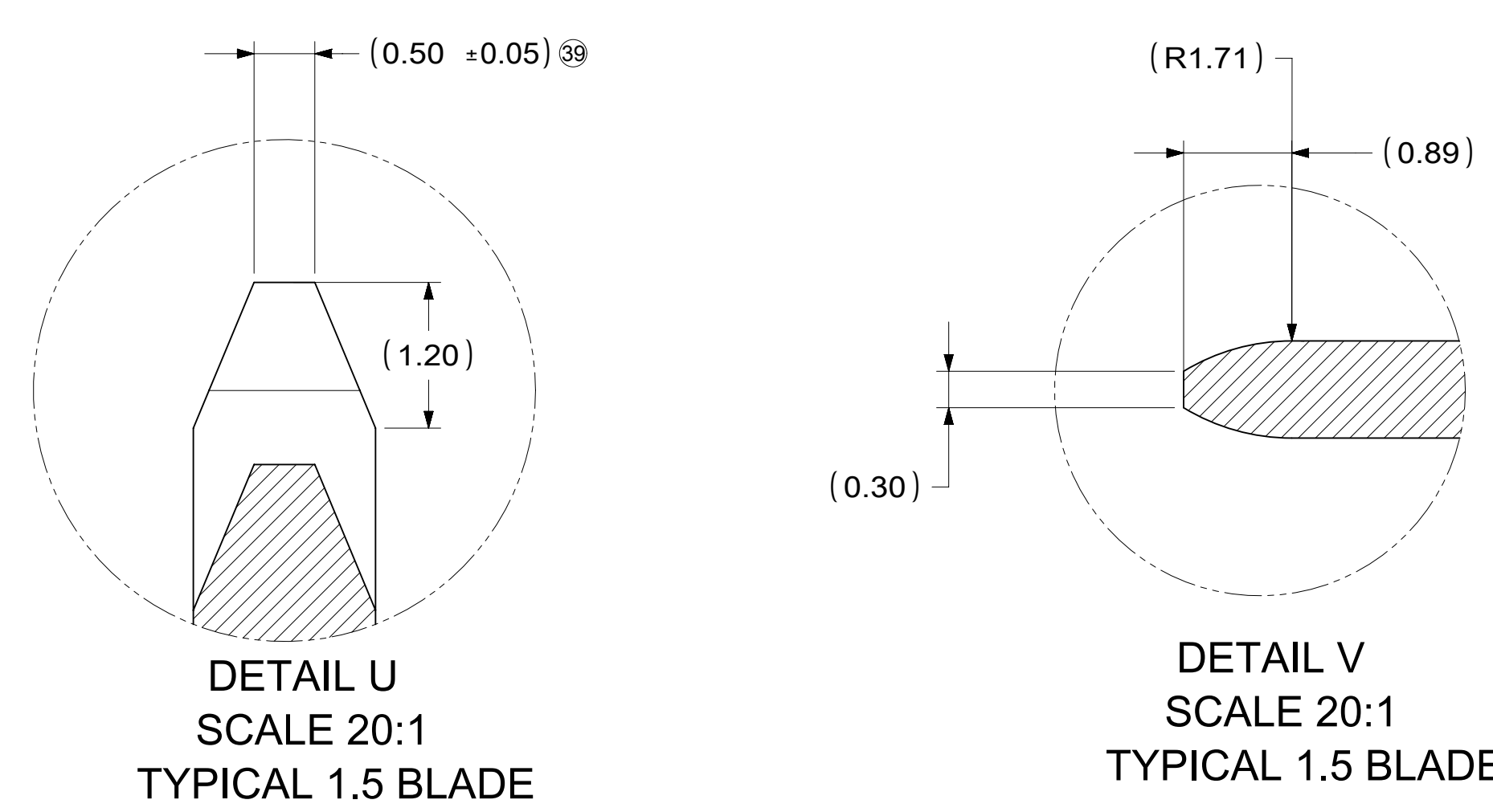
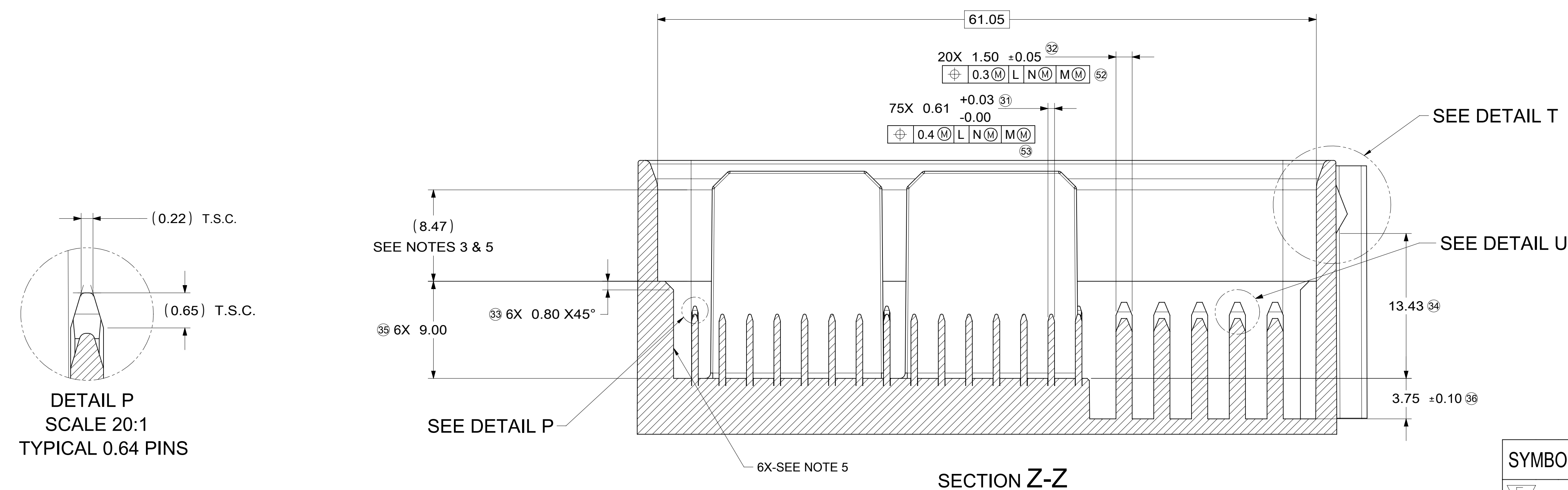
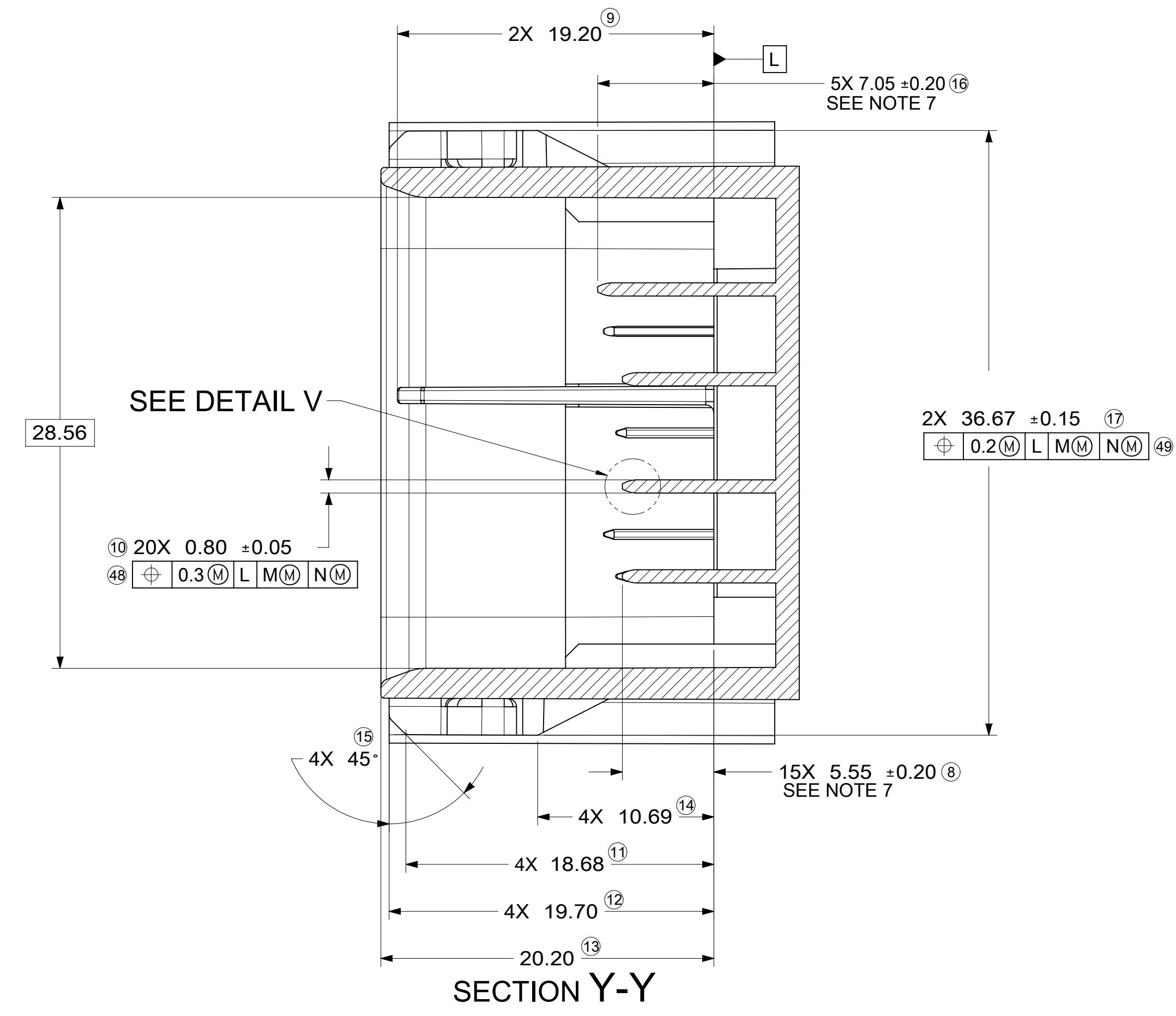
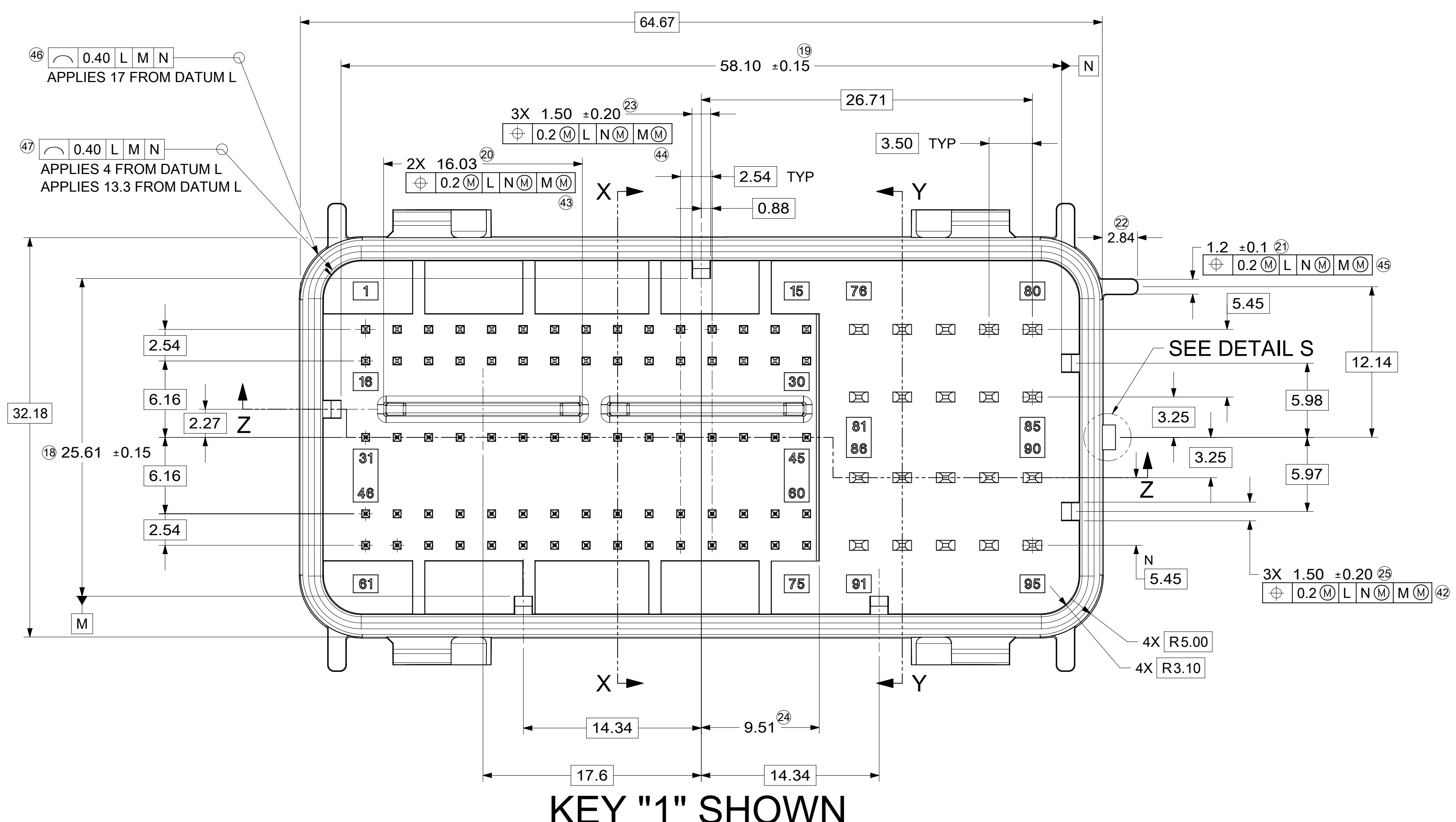
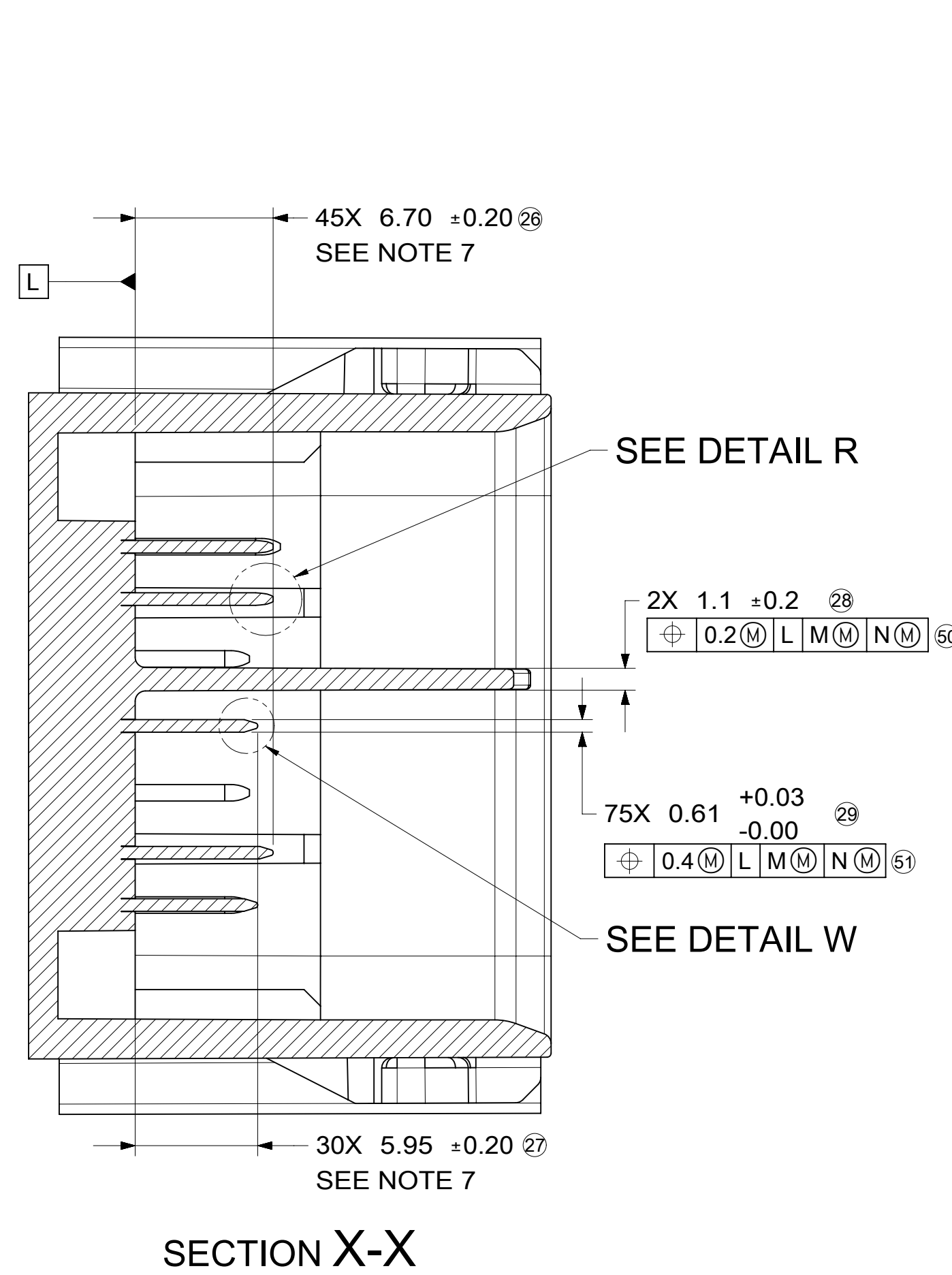
DOCUMENT NUMBER: 349920001-SD  
DOC TYPE: PSD  
DOC PART: 000  
REVISION: A8

MATERIAL NUMBER: CHARTED  
CUSTOMER: GENERAL MARKET  
SHEET NUMBER: 2 OF 3

# RECOMMENDED MATING INTERFACE



- NOTES FOR INTERFACE: UNLESS OTHERWISE SPECIFIED
- GENERAL TOLERANCES:  
LINEAR DIMENSIONS: ±0.20  
ANGULAR DIMENSIONS: ±3°
  - DRAFT ANGLE PERMISSIBLE ONLY WITHIN DRAWING TOLERANCE.
  - SEAL SURFACE: NO WITNESS LINES OR IMPERFECTIONS PERMITTED IN THIS AREA.
  - ALL UNMARKED RADII TO BE 0.5 MAX. UNLESS OTHERWISE SPECIFIED.
  - ZERO DRAFT AREA
  - CONNECTION SYSTEM VALIDATED TO BE USCAR2, REVISION 5
  - PIN ROW HEIGHTS ARE INTENTIONALLY OFFSET
- POWER CONTACT PIN NOTES: (1.5 CIRCUITS)
- MATERIAL: Cu ALLOY  
WITH TENSILE STRENGTH > 410 N/mm<sup>2</sup>  
ELECTRICAL CONDUCTANCE > 16 Sm/mm<sup>2</sup>  
(≥28% IACS at 20°C)
  - BASE PLATING: 1.25-2.25µm NI OVERALL
  - REFLOW TIN PLATING: 2.5-4.0µm OVERALL
  - CONTACT MUST BE FREE OF BURRS AND SHARP EDGES.
  - PROCESS COMPONENTS IN A LOW-SULFUR ENVIRONMENT AND AVOID CONTACT WITH MATERIALS THAT TRANSFER SULFUR TO THE ENVIRONMENT.
- SIGNAL CONTACT PIN NOTES: (0.64 CIRCUITS)
- MATERIAL: Cu ALLOY  
WITH TENSILE STRENGTH > 410 N/mm<sup>2</sup>  
ELECTRICAL CONDUCTANCE > 16 Sm/mm<sup>2</sup>  
(≥28% IACS at 20°C)
  - BASE PLATING: 1.25-2.5µm NI OVERALL
  - SILVER PLATING 2-4µm Ag WITH TARNISH RESISTANT TREATMENT APPLIED TO THE ENTIRE SILVER SURFACE.
  - CONTACT MUST BE FREE OF BURRS AND SHARP EDGES.
  - FOR SILVER PLATING: ELECTRICAL PERFORMANCE IS NOT AFFECTED BY GREY OR BLACK TARNISH ON THE SILVER PLATING SURFACE. ACCEPTABLE SILVER PIN SURFACES CAN INCLUDE GREY OR BLACK TARNISH.
  - PROCESS COMPONENTS IN A LOW-SULFUR ENVIRONMENT AND AVOID CONTACT WITH MATERIALS THAT TRANSFER SULFUR TO THE ENVIRONMENT.



SYMBOLS	THIS DRAWING CONTAINS INFORMATION THAT IS PROPRIETARY TO MOLEX ELECTRONIC TECHNOLOGIES, LLC AND SHOULD NOT BE USED WITHOUT WRITTEN PERMISSION		CURRENT REV DESC: NOTE AND TABLE UPDATED		<b>molex</b>
	DIMENSION UNITS	SCALE	GPEC IV CONNECTOR ASSEMBLY 95 CIRCUIT		
▽ = 0	mm	4:1	PRODUCT CUSTOMER DRAWING		DOCUMENT NUMBER <b>349920001-SD</b>
▽ = 0	GENERAL TOLERANCES (UNLESS SPECIFIED)		DOC TYPE   DOC PART   REVISION		
▽ = 0	ANGULAR TOL ±		EC NO: 677806		SHEET NUMBER 3 OF 3
▽ = 0	4 PLACES ±		DRWN: NBOHIDAR 2021/09/15		
▽ = 0	3 PLACES ±		CHK'D: BDICK01 2021/09/28		
▽ = 0	2 PLACES ±		APPR: BDICK01 2021/09/28		
▽ = 0	1 PLACE ±		INITIAL REVISION:		
▽ = 0	0 PLACES ±		DRWN: NBOHIDAR 2018/09/01		
▽ = 0	DRAFT WHERE APPLICABLE MUST REMAIN WITHIN DIMENSIONS		APPR: APROFFITT 2018/09/07		
▽ = 0	THIRD ANGLE PROJECTION	DRAWING	SERIES	MATERIAL NUMBER	CUSTOMER
▽ = 0	E-SIZE	34992	CHARTERED	GENERAL MARKET	



**BOM AND PIN OUT SHEET**

ASSEMBLY DESCRIPTION	ASSEMBLY PART NUMBER	COMPONENT							BLOCKED TERMINALS																	STATUS	COMMENTS					
		THE PRESENCE OF AN ABBREVIATION INDICATES THE PRESENCE OF THAT COMPONENT.							CAVITY WITH A NUMBER INDICATES BLOCKED TERMINAL POSITION CAVITY WITHOUT A NUMBER INDICATES OPEN TERMINAL POSITION																							
		OUTER HOUSING KEY/COLOR	INNER HOUSING	PLR	LEVER	LEVER ARM (x/2)	MAT SEAL	RING SEAL																								
GPEC RCPT CONN 95 CKT END LVR KEY 1/75	349920008	1-BLACK	IH	PLR	LE	LA	M	R	1	-	3	-	5	-	7	-	-	10	-	-	-	-	15	-	-	78	-	-				
									16	-	-	-	-	-	-	-	-	-	-	-	-	-	-	-	-	-	-	-	-	-	-	
									-	-	-	-	-	-	-	-	-	-	-	-	-	-	-	-	-	41	-	-	-	-	-	-
									46	-	48	-	-	-	-	-	-	-	-	-	-	-	-	-	-	56	-	-	-	-	-	-
									61	-	63	64	-	-	-	67	68	69	-	-	-	-	-	-	-	-	-	-	-	74	75	-
GPEC RCPT CONN 95 CKT END LVR KEY 1/76	349920009	1-BLACK	IH	PLR	LE	LA	M	R	1	-	3	-	5	-	7	-	-	10	-	-	-	-	-	-	-	-	-	-				
									16	-	-	-	-	-	-	-	-	-	-	-	-	-	-	-	-	-	-	-	-	-		
									-	-	-	-	-	-	-	-	-	-	-	-	-	-	-	-	-	41	-	-	-	-	-	-
									46	-	48	-	-	-	-	-	-	-	-	-	-	-	-	-	-	56	-	-	-	-	-	-
									61	-	63	64	-	-	66	67	68	69	-	-	-	-	-	-	-	-	-	-	-	74	75	-
GPEC RCPT CONN 95 CKT END LVR KEY 1/80	349920010	1-BLACK	IH	PLR	LE	LA	M	R	1	-	3	-	5	-	7	-	-	10	-	-	-	-	-	-	-	-	-	-				
									16	-	-	-	-	-	-	-	-	-	-	-	-	-	-	-	-	-	-	-	-	-		
									-	-	-	-	-	-	-	-	-	-	-	-	-	-	-	-	-	41	-	-	-	-	-	-
									46	-	48	-	-	-	-	-	-	-	-	-	-	-	-	-	-	56	-	-	-	-	-	-
									61	-	63	64	-	-	-	-	-	-	-	-	-	-	-	-	-	-	-	-	-	-	-	-
GPEC RCPT CONN 95 CKT END LVR KEY 1/79	349920011	1-BLACK	IH	PLR	LE	LA	M	R	1	-	-	-	-	-	-	-	-	-	-	-	-	-	15	-	-	78	-	-				
									16	-	-	-	-	-	-	22	-	-	-	-	-	-	-	-	-	-	-	-	-	-	-	
									-	-	-	-	-	-	-	-	-	-	-	-	-	-	-	-	-	-	-	-	-	-	-	-
									-	-	-	-	-	-	-	-	-	-	-	-	-	55	56	-	-	-	-	-	-	-	-	-
									-	62	63	64	-	-	-	67	68	69	-	-	-	-	-	-	-	-	-	-	-	74	75	-
GPEC RCPT CONN 95 CKT END LVR KEY 1/74	349920012	1-BLACK	IH	PLR	LE	LA	M	R	-	-	3	-	-	-	-	-	9	10	-	12	-	-	-	-	-	-	-	-				
									-	-	18	-	-	-	-	-	-	24	25	-	-	-	-	-	-	-	-	-	-	-	-	
									31	-	-	-	-	-	-	-	-	-	-	-	-	-	-	-	-	-	-	-	-	-	-	-
									-	47	48	-	-	-	-	-	-	-	-	-	-	-	-	-	-	56	-	-	-	-	-	-
									-	-	-	64	65	-	-	68	69	-	71	-	-	-	-	-	-	-	-	-	-	74	75	-
GPEC RCPT CONN 95 CKT END LVR KEY 1/83	349920013	1-BLACK	IH	PLR	LE	LA	M	R	1	-	-	-	-	-	-	-	-	-	-	-	-	-	-	-	-	78	-	-				
									16	-	-	-	-	-	-	-	-	-	-	-	-	-	-	-	-	-	-	-	-	-	-	
									-	-	-	-	-	-	-	-	-	-	-	-	-	-	-	-	-	-	-	-	-	-	-	-
									-	-	-	-	-	-	-	-	-	-	-	-	-	-	55	56	-	-	-	-	-	-	-	-
									-	62	63	64	-	-	-	67	68	69	-	-	-	-	-	-	-	-	-	-	-	-	-	-
GPEC RCPT CONN 95 CKT END LVR KEY 1/79	349920014	1-BLACK	IH	PLR	LE	LA	M	R	-	-	-	-	-	-	-	-	9	-	-	-	-	-	-	-	-	-	-	-				
									-	-	18	-	-	-	-	-	-	24	25	-	-	-	-	-	-	-	-	-	-	-	-	
									-	-	-	-	-	-	-	-	-	-	-	-	-	-	-	-	-	-	-	-	-	-	-	-
									-	47	48	-	-	-	-	-	-	-	-	-	-	-	-	-	-	56	-	-	-	-	-	-
									-	-	-	64	65	-	-	68	69	-	71	-	-	-	-	-	-	-	-	-	-	74	75	-
GPEC RCPT CONN 95 CKT END LVR KEY 1/82	349920015	1-BLACK	IH	PLR	LE	LA	M	R	-	-	-	-	-	-	-	-	9	-	-	-	-	-	-	-	-	-	-	-				
									-	-	18	-	-	-	-	-	-	24	25	-	-	-	-	-	-	-	-	-	-	-	-	
									-	-	-	-	-	-	-	-	-	-	-	-	-	-	-	-	-	-	-	-	-	-	-	-
									-	-	-	-	-	-	-	-	-	-	-	-	-	-	-	-	-	-	-	-	-	-	-	-
									-	-	-	64	65	-	-	68	69	-	71	-	-	-	-	-	-	-	-	-	-	74	75	-
GPEC RCPT CONN 95 CKT END LVR KEY 1/77	349920016	1-BLACK	IH	PLR	LE	LA	M	R	1	-	-	-	-	-	-	-	-	-	-	-	-	-	15	-	-	78	-	-				
									16	-	-	-	-	-	-	22	-	-	-	-	-	-	-	-	-	-	-	-	-	-	-	
									-	-	-	-	-	-	-	-	-	-	-	-	-	-	-	-	-	-	-	-	-	-	-	-
									-	-	-	-	-	-	-	-	-	-	-	-	-	-	55	56	57	-	-	-	-	-	-	-
									-	62	63	64	-	66	67	68	69	-	-	-	-	-	-	-	-	-	-	-	-	74	75	-
GPEC RCPT CONN 95 CKT END LVR KEY 1/67	349920017	1-BLACK	IH	PLR	LE	LA	M	R	-	-	3	-	-	-	-	-	9	10	-	12	-	-	-	15	-	-	78	-	-			
									-	-	18	-	-	-	-	-	-	24	25	-	-	-	-	-	-	-	-	-	-	30	-	
									31	-	-	-	-	-	-	-	-	-	-	-	-	-	-	-	-	-	-	-	-	-	-	-
									-	-	-	-	-	-	-	-	-	-	-	-	-	-	-	-	-	-	-	-	-	-	-	-
									-	62	63	64	65	-	-	68	69	70	71	72	73	74	75	-	-	-	-	-	-	-	-	-





**BOM AND PIN OUT SHEET**

ASSEMBLY DESCRIPTION	ASSEMBLY PART NUMBER	COMPONENT							BLOCKED TERMINALS																	STATUS	COMMENTS		
		THE PRESENCE OF AN ABBREVIATION INDICATES THE PRESENCE OF THAT COMPONENT.							CAVITY WITH A NUMBER INDICATES BLOCKED TERMINAL POSITION CAVITY WITHOUT A NUMBER INDICATES OPEN TERMINAL POSITION																				
		OUTER HOUSING KEY/COLOR	INNER HOUSING	PLR	LEVER	LEVER ARM (x/2)	MAT SEAL	RING SEAL																					
GPEC RCPT CONN 95 CKT TOP LVR KEY 1/68	349921005	1-BLACK	IH	PLR	LT	LA	M	R	-	-	3	-	-	-	-	-	9	10	-	12	-	-	15	-	-	78	-	-	
									-	-	18	-	-	-	-	-	24	25	-	-	-	-	30	-	-	83	-	-	
									31	-	-	-	-	-	-	-	-	-	-	-	-	-	-	45	-	-	-	-	-
									-	47	48	-	-	-	-	-	-	-	56	-	-	-	-	-	-	87	88	-	-
									-	-	-	64	65	-	-	68	69	70	-	72	73	74	75	-	-	-	-	-	
GPEC RCPT CONN 95 CKT TOP LVR KEY 1/65	349921006	1-BLACK	IH	PLR	LT	LA	M	R	-	-	3	-	-	-	-	-	9	10	-	12	-	-	15	-	-	78	-	-	
									-	-	18	-	-	-	-	-	24	25	-	-	-	-	30	-	-	83	-	-	
									31	-	-	-	-	-	-	-	-	-	-	-	-	-	45	-	-	-	-	-	
									46	47	48	-	-	-	-	-	-	-	56	-	-	-	-	-	87	88	-	-	
									61	-	-	64	65	-	-	68	69	70	71	72	73	74	75	-	-	-	-	-	
GPEC RCPT CONN 95 CKT TOP LVR KEY 1/68	349921007	1-BLACK	IH	PLR	LT	LA	M	R	-	-	3	-	-	-	-	-	9	10	-	12	-	-	15	-	-	78	-	-	
									-	-	18	-	-	-	-	-	24	-	-	-	-	-	-	-	83	-	-		
									31	-	-	-	-	-	-	-	-	-	-	-	-	-	-	-	-	-	-	-	
									46	47	48	-	-	-	-	-	-	-	56	-	-	-	-	-	87	88	-	-	
									61	-	-	64	65	-	-	68	69	70	71	72	73	74	75	-	-	-	-	-	
GPEC RCPT CONN 95 CKT END LVR KEY 2/95	349922001	2-BLACK	IH	PLR	LE	LA	M	R	-	-	-	-	-	-	-	-	-	-	-	-	-	-	-	-	-	-	-	-	
									-	-	-	-	-	-	-	-	-	-	-	-	-	-	-	-	-	-	-	-	
									-	-	-	-	-	-	-	-	-	-	-	-	-	-	-	-	-	-	-	-	
									-	-	-	-	-	-	-	-	-	-	-	-	-	-	-	-	-	-	-	-	
									-	-	-	-	-	-	-	-	-	-	-	-	-	-	-	-	-	-	-	-	
GPEC RCPT CONN 95 CKT TOP LVR KEY 2/95	349923001	2-BLACK	IH	PLR	LT	LA	M	R	-	-	-	-	-	-	-	-	-	-	-	-	-	-	-	-	-	-	-	-	
									-	-	-	-	-	-	-	-	-	-	-	-	-	-	-	-	-	-	-	-	
									-	-	-	-	-	-	-	-	-	-	-	-	-	-	-	-	-	-	-	-	
									-	-	-	-	-	-	-	-	-	-	-	-	-	-	-	-	-	-	-	-	
									-	-	-	-	-	-	-	-	-	-	-	-	-	-	-	-	-	-	-	-	
GPEC RCPT CONN 95 CKT TOP LVR KEY 2/46	349923002	2-BLACK	IH	PLR	LT	LA	M	R	-	-	-	4	-	6	-	8	9	-	11	-	-	14	15	-	77	-	-	80	
									-	17	-	-	-	21	-	-	24	-	-	-	28	29	30	81	-	83	-	85	
									-	32	-	-	-	-	-	-	-	-	41	-	43	44	45	-	-	-	-	-	
									46	-	48	-	-	-	53	-	-	56	57	58	-	-	86	87	88	-	90		
									61	62	63	64	65	66	67	68	69	70	71	72	73	74	75	-	-	-	-	95	
GPEC RCPT CONN 95 CKT END LVR KEY 3/95	349924001	3-BLACK	IH	PLR	LE	LA	M	R	-	-	-	-	-	-	-	-	-	-	-	-	-	-	-	-	-	-	-	-	
									-	-	-	-	-	-	-	-	-	-	-	-	-	-	-	-	-	-	-	-	
									-	-	-	-	-	-	-	-	-	-	-	-	-	-	-	-	-	-	-	-	
									-	-	-	-	-	-	-	-	-	-	-	-	-	-	-	-	-	-	-	-	
									-	-	-	-	-	-	-	-	-	-	-	-	-	-	-	-	-	-	-	-	
GPEC RCPT CONN 95 CKT END LVR KEY 3/61	349924002	3-BLACK	IH	PLR	LE	LA	M	R	-	-	-	-	-	21	-	23	-	25	26	-	-	-	-	-	-	-	-	-	
									-	32	33	-	-	-	-	39	-	41	-	-	-	-	-	-	-	-	-		
									-	-	48	49	50	51	52	-	-	-	-	58	-	60	-	-	88	89	-		
									61	62	63	64	65	66	67	68	69	70	71	72	73	74	75	-	-	93	94	-	
									-	-	-	-	-	-	-	-	-	-	-	-	-	-	-	-	-	-	-	-	
GPEC RCPT CONN 95 CKT END LVR KEY 3/49	349924003	3-BLACK	IH	PLR	LE	LA	M	R	-	-	-	4	-	-	-	-	-	-	-	-	-	-	-	-	-	-	-	-	
									-	-	-	19	-	21	-	23	24	25	26	-	-	-	-	-	-	-	-	-	
									-	32	33	-	35	-	37	-	39	-	41	-	43	44	-	-	-	-	-	-	
									-	-	48	49	50	51	52	53	-	55	56	-	58	-	60	-	87	88	89	-	
									61	62	63	64	65	66	67	68	69	70	71	72	73	74	75	-	92	93	94	-	
GPEC RCPT CONN 95 CKT END LVR KEY 3/53	349924004	3-BLACK	IH	PLR	LE	LA	M	R	-	-	-	-	-	-	-	-	-	-	-	-	-	-	-	-	-	-	-	-	
									-	-	-	19	-	21	-	23	24	25	26	-	-	-	-	-	-	-	-	-	
									-	32	33	-	35	-	-	-	39	-	41	-	43	44	-	-	-	-	-	-	
									-	-	48	49	50	51	52	53	-	55	56	-	58	-	60	-	-	88	89	-	
									61	62	63	64	65	66	67	68	69	70	71	72	73	74	75	-	-	93	94	-	





BOM AND PIN OUT SHEET

ASSEMBLY DESCRIPTION	ASSEMBLY PART NUMBER	COMPONENT							BLOCKED TERMINALS																STATUS	COMMENTS			
		THE PRESENCE OF AN ABBREVIATION INDICATES THE PRESENCE OF THAT COMPONENT.							CAVITY WITH A NUMBER INDICATES BLOCKED TERMINAL POSITION CAVITY WITHOUT A NUMBER INDICATES OPEN TERMINAL POSITION																				
		OUTER HOUSING KEY/COLOR	INNER HOUSING	PLR	LEVER	LEVER ARM (x/2)	MAT SEAL	RING SEAL																					
GPEC RCPT CONN 95 CKT TOP LVR KEY 3/50	349925011	3-BLACK	IH	PLR	LT	LA	M	R	-	-	-	4	5	-	-	8	-	-	-	-	-	14	15	-	77	78	79	-	
									16	17	18	19	20	21	22	23	-	25	26	-	28	29	30	81	-	-	-	-	
									-	-	-	-	-	-	-	-	-	40	-	-	-	-	-	-	-	-	-	-	-
									46	-	48	-	-	51	-	-	54	55	56	57	58	59	-	86	-	-	-	-	
									61	-	-	64	-	66	67	68	69	70	71	72	-	-	75	91	92	-	-	-	
GPEC RCPT CONN 95 CKT TOP LVR KEY 3/45	349925012	3-BLACK	IH	PLR	LT	LA	M	R	-	2	-	4	-	-	7	8	-	-	-	12	13	14	15	-	77	78	79	-	
									16	17	18	-	20	21	22	23	-	25	26	-	28	29	30	81	-	-	-	-	
									-	-	-	-	-	-	-	-	-	-	-	42	-	-	-	-	-	-	-	-	
									46	-	48	49	-	51	52	53	54	55	56	57	58	59	60	86	-	-	-	-	
									61	-	-	-	-	66	67	68	69	70	71	72	-	74	-	91	92	-	-	-	
GPEC RCPT CONN 95 CKT TOP LVR KEY 3/43	349925013	3-BLACK	IH	PLR	LT	LA	M	R	-	2	-	4	-	-	7	8	-	-	-	12	13	14	15	-	77	78	79	-	
									16	17	18	-	20	21	22	23	-	25	26	-	28	29	30	81	-	-	-	-	
									-	-	-	-	-	-	-	-	-	40	-	42	-	-	-	-	-	-	-	-	
									46	47	48	49	-	51	52	53	54	55	56	57	58	59	60	86	-	-	-	-	
									61	-	-	-	-	66	67	68	69	70	71	72	-	74	-	91	92	-	-	-	
GPEC RCPT CONN 95 CKT TOP LVR KEY 3/42	349925014	3-BLACK	IH	PLR	LT	LA	M	R	-	-	-	-	-	6	-	-	-	-	11	12	-	-	15	-	-	-	-	-	
									-	-	-	-	-	21	22	23	-	25	-	27	-	29	-	-	-	-	-	-	
									31	32	33	34	35	-	37	-	39	-	41	-	43	44	45	-	-	-	-	-	
									46	47	48	-	50	51	-	53	54	55	56	57	58	-	-	-	87	88	89	-	
									61	62	63	64	65	66	67	68	69	70	71	72	73	74	75	-	92	93	94	-	
GPEC RCPT CONN 95 CKT TOP LVR KEY 3/42	349925015	3-BLACK	IH	PLR	LT	LA	M	R	1	-	-	4	5	-	-	-	-	10	-	-	-	-	-	-	-	-	-	-	
									-	17	-	19	-	21	-	23	24	25	-	-	-	-	-	-	-	-	-	-	
									31	32	33	-	35	-	37	-	39	-	41	42	43	44	45	-	-	-	-	-	
									-	-	48	49	50	51	52	53	-	55	56	-	58	59	60	-	87	88	89	-	
									61	62	63	64	65	66	67	68	69	70	71	72	73	74	75	-	92	93	94	-	
GPEC RCPT CONN 95 CKT END LVR KEY 4/95	349926001	4-BLACK	IH	PLR	LE	LA	M	R	-	-	-	-	-	-	-	-	-	-	-	-	-	-	-	-	-	-	-		
									-	-	-	-	-	-	-	-	-	-	-	-	-	-	-	-	-	-	-	-	
									-	-	-	-	-	-	-	-	-	-	-	-	-	-	-	-	-	-	-	-	
									-	-	-	-	-	-	-	-	-	-	-	-	-	-	-	-	-	-	-	-	
									-	-	-	-	-	-	-	-	-	-	-	-	-	-	-	-	-	-	-	-	
GPEC RCPT CONN 95 CKT END LVR KEY 4/72	349926002	4-BLACK	IH	PLR	LE	LA	M	R	-	-	3	-	-	6	7	-	9	-	-	-	-	-	15	-	-	-	-	-	
									-	-	-	-	20	21	22	-	-	-	-	-	-	-	-	-	-	-	-	85	
									-	-	-	34	35	36	37	38	39	-	-	-	-	-	-	-	-	-	-	-	
									46	47	48	49	-	-	-	-	-	-	56	-	-	-	-	86	-	-	-	-	
									-	-	63	-	-	-	-	-	69	-	-	-	-	-	-	-	-	-	-	-	
GPEC RCPT CONN 95 CKT END LVR KEY 4/72	349926003	4-BLACK	IH	PLR	LE	LA	M	R	-	2	-	-	-	6	7	-	-	-	11	12	13	14	-	-	-	-	-	-	
									-	-	-	19	-	21	-	-	-	-	-	27	28	-	-	-	82	-	-	-	
									31	-	-	-	-	-	-	-	-	-	41	-	-	-	45	-	-	-	-	-	
									46	47	-	-	-	-	-	-	-	-	-	-	-	-	-	-	87	-	-	-	
									61	-	-	64	-	-	67	-	-	-	-	72	-	74	-	-	-	-	-	-	
GPEC RCPT CONN 95 CKT END LVR KEY 4/63	349926004	4-BLACK	IH	PLR	LE	LA	M	R	-	2	-	-	5	6	7	-	-	-	11	12	13	14	-	-	-	78	-	-	
									-	-	-	19	-	21	-	-	-	-	-	27	28	-	-	-	82	83	-	-	
									31	-	-	-	35	-	-	-	-	-	41	-	-	-	45	-	-	-	-	-	
									46	47	-	-	-	-	-	-	-	-	-	57	58	59	-	-	87	88	-	-	
									61	-	-	64	-	-	67	-	-	-	-	72	-	74	-	-	-	93	-	-	
GPEC RCPT CONN 95 CKT TOP LVR KEY 4/95	349927001	4-BLACK	IH	PLR	LT	LA	M	R	-	-	-	-	-	-	-	-	-	-	-	-	-	-	-	-	-	-	-	-	
									-	-	-	-	-	-	-	-	-	-	-	-	-	-	-	-	-	-	-	-	
									-	-	-	-	-	-	-	-	-	-	-	-	-	-	-	-	-	-	-	-	
									-	-	-	-	-	-	-	-	-	-	-	-	-	-	-	-	-	-	-	-	
									-	-	-	-	-	-	-	-	-	-	-	-	-	-	-	-	-	-	-	-	



**GPEC IV 95 WAY RECEPTACLE SEALED ASSEMBLY MAT SEAL  
BOM AND PIN OUT SHEET**

ASSEMBLY DESCRIPTION	ASSEMBLY PART NUMBER	COMPONENT							BLOCKED TERMINALS													STATUS	COMMENTS														
		THE PRESENCE OF AN ABBREVIATION INDICATES THE PRESENCE OF THAT COMPONENT.							CAVITY WITH A NUMBER INDICATES BLOCKED TERMINAL POSITION CAVITY WITHOUT A NUMBER INDICATES OPEN TERMINAL POSITION																												
		OUTER HOUSING KEY/COLOR	INNER HOUSING	PLR	LEVER	LEVER ARM (x/2)	MAT SEAL	RING SEAL																													
GPEC RCPT CONN 95 CKT TOP LVR KEY 4/76	349927002	4-BLACK	IH	PLR	LT	LA	M	R	-	-	-	-	-	-	-	-	-	-	-	-	-	-	-	15	-	-	-	-	-	SALEABLE							
									-	17	-	-	20	-	-	-	-	-	-	-	-	-	-	-	-	-	-	-	-			-	-	-	85		
									-	-	-	-	35	36	37	-	-	-	-	-	-	-	-	42	43	-	45	-	-			-	-	-	-	-	-
									46	47	48	49	-	-	-	-	-	-	-	-	-	56	-	-	-	-	-	-	-			-	-	-	-	-	
GPEC RCPT CONN 95 CKT TOP LVR KEY 4/50	349927003	4-BLACK	IH	PLR	LT	LA	M	R	-	-	3	4	5	6	-	-	9	-	-	-	-	-	-	-	15	-	77	78	79	-	SALEABLE						
									16	17	18	19	20	21	-	23	24	25	26	-	28	-	30	-	-	-	-	-	-	-			-	-			
									-	-	-	-	-	-	-	-	38	-	-	-	-	-	-	-	-	44	-	-	-	-			-	-	-	-	-
									46	47	-	49	-	51	-	53	54	-	56	-	-	59	-	-	-	86	-	-	-	-			-	-	-	-	
GPEC RCPT CONN 95 CKT TOP LVR KEY 4/53	349927004	4-BLACK	IH	PLR	LT	LA	M	R	-	-	3	4	5	-	-	9	-	-	-	-	-	-	-	15	-	77	78	79	-	SALEABLE							
									16	17	18	19	20	21	-	23	24	25	26	-	28	-	30	-	-	-	-	-	-			-	-	-			
									-	-	-	-	-	-	-	-	38	-	-	-	-	-	-	-	-	44	-	-	-			-	-	-	-	-	-
									46	47	48	49	-	51	-	-	54	-	56	-	-	59	-	-	-	86	-	-	-			-	-	-	-	-	
GPEC RCPT CONN 95 CKT TOP LVR KEY 4/51	349927005	4-BLACK	IH	PLR	LT	LA	M	R	-	-	3	4	5	-	-	9	-	-	-	-	-	-	-	15	-	77	78	79	-	SALEABLE							
									16	17	18	19	20	21	-	23	24	25	26	-	28	-	30	-	-	-	-	-	-			-	-	-			
									-	-	-	-	-	-	-	-	38	-	-	-	-	-	-	-	-	44	-	-	-			-	-	-	-	-	-
									46	47	-	49	-	51	-	53	54	-	56	-	-	59	-	-	-	86	-	-	-			-	-	-	-	-	
GPEC RCPT CONN 95 CKT TOP LVR KEY 4/50	349927006	4-BLACK	IH	PLR	LT	LA	M	R	-	-	3	4	-	-	-	9	-	-	-	-	-	-	-	15	-	77	78	79	-	SALEABLE							
									16	17	18	19	20	21	-	23	24	25	26	-	28	-	30	-	-	-	-	-	-			-	-	-			
									-	-	-	-	-	-	-	-	38	-	-	-	-	43	44	45	-	-	-	-	-			-	-	-	-		
									46	47	48	49	-	51	-	53	54	-	56	-	-	59	-	-	-	86	-	-	-			-	-	-	-		
GPEC RCPT CONN 95 CKT TOP LVR KEY 4/54	349927007	4-BLACK	IH	PLR	LT	LA	M	R	-	-	3	4	5	-	-	9	-	-	-	-	-	-	-	15	-	77	78	79	80	SALEABLE							
									16	17	18	19	20	-	23	24	25	26	-	28	-	-	-	-	-	-	-	-	-			-	-	-	-		
									-	-	-	-	-	-	-	-	38	-	-	-	-	-	-	-	-	44	-	-	-			-	-	-	-	-	-
									46	47	-	49	-	51	-	-	54	-	56	-	-	59	-	-	-	86	-	-	-			-	-	-	-	-	
GPEC RCPT CONN 95 CKT TOP LVR KEY 4/46	349927008	4-BLACK	IH	PLR	LT	LA	M	R	-	-	3	4	-	-	-	9	-	-	-	-	-	-	-	15	-	77	78	79	80	SALEABLE							
									16	17	18	19	20	21	-	23	24	25	26	-	28	-	30	-	-	-	-	-	-			-	-	-			
									-	-	-	-	-	-	-	-	38	-	-	-	-	43	44	45	-	-	-	-	-			-	-	-	-		
									46	47	48	49	-	51	-	53	54	-	56	-	-	59	-	-	-	86	-	-	-			-	-	-	-	-	
GPEC RCPT CONN 95 CKT TOP LVR KEY 4/45	349927009	4-BLACK	IH	PLR	LT	LA	M	R	-	-	3	4	-	6	7	8	9	-	-	-	-	-	-	15	-	77	78	79	80	SALEABLE							
									16	17	18	19	20	-	23	24	25	26	-	28	-	-	-	-	-	-	-	-	-			-	-	-	-		
									-	-	-	-	-	-	-	-	38	-	-	41	-	43	44	45	-	-	-	-	-			-	-	-	-		
									46	47	48	49	-	51	-	53	54	-	56	-	-	59	-	-	-	86	-	-	-			-	-	-	-	-	
GPEC RCPT CONN 95 CKT TOP LVR KEY 4/42	349927010	4-BLACK	IH	PLR	LT	LA	M	R	-	-	3	4	-	6	7	8	9	-	-	-	-	-	-	15	-	77	78	79	80	SALEABLE							
									16	17	18	19	20	21	-	23	24	25	26	-	28	-	30	-	-	-	-	-	-			-	-	-			
									-	-	-	-	-	-	-	-	38	-	-	41	-	43	44	45	-	-	-	-	-			-	-	-	-		
									46	47	48	49	-	51	-	53	54	-	56	-	-	59	-	-	-	86	-	-	-			-	-	-	-	-	
GPEC RCPT CONN 95 CKT TOP LVR KEY 4/47	349927011	4-BLACK	IH	PLR	LT	LA	M	R	-	-	3	4	5	-	-	9	-	-	-	-	-	-	-	15	-	77	78	79	80	SALEABLE							
									16	17	18	-	20	21	-	23	24	25	26	-	28	-	30	-	-	-	-	-	-			-	-	-			
									-	-	-	-	-	-	-	-	38	-	-	-	-	43	44	45	-	-	-	-	-			-	-	-	-		
									46	47	-	49	-	51	-	53	54	-	56	-	-	59	-	-	-	86	-	-	-			-	-	-	-	-	

BOM AND PIN OUT SHEET

ASSEMBLY DESCRIPTION	ASSEMBLY PART NUMBER	COMPONENT							BLOCKED TERMINALS																	STATUS	COMMENTS		
		THE PRESENCE OF AN ABBREVIATION INDICATES THE PRESENCE OF THAT COMPONENT.							CAVITY WITH A NUMBER INDICATES BLOCKED TERMINAL POSITION CAVITY WITHOUT A NUMBER INDICATES OPEN TERMINAL POSITION																				
		OUTER HOUSING KEY/COLOR	INNER HOUSING	PLR	LEVER	LEVER ARM (x/2)	MAT SEAL	RING SEAL	1	2	3	4	5	6	-	-	9	-	-	-	-	14	15	-	77			-	79
GPEC RCPT CONN 95 CKT TOP LVR KEY 4/52	349927012	4-BLACK	IH	PLR	LT	LA	M	R	-	-	3	4	-	-	-	-	9	-	-	-	-	14	15	-	77	-	79	80	
									-	17	18	19	20	-	-	23	24	25	-	-	28	-	-	-	-	-	-	85	
									-	-	-	-	-	-	-	37	-	-	-	-	-	-	44	-	-	-	-	-	-
									46	-	48	49	-	51	-	-	-	-	56	-	-	59	-	86	-	-	-	-	
									61	-	63	64	-	66	67	68	69	-	71	-	-	74	75	91	92	-	-	95	
GPEC RCPT CONN 95 CKT TOP LVR KEY 4/47	349927013	4-BLACK	IH	PLR	LT	LA	M	R	-	-	3	4	-	-	-	-	9	-	-	-	12	13	-	15	-	77	78	79	80
									16	17	18	-	20	21	-	23	24	25	26	-	28	-	30	-	-	-	-	85	
									-	-	-	-	-	-	-	-	38	-	-	-	-	43	44	45	-	-	-	-	-
									46	47	48	49	-	51	-	53	54	-	56	-	-	59	-	86	-	-	-	-	
									61	-	-	-	-	66	67	68	69	70	71	-	73	74	-	91	-	-	94	95	
GPEC RCPT CONN 95 CKT TOP LVR KEY 4/50	349927014	4-BLACK	IH	PLR	LT	LA	M	R	-	-	3	4	-	-	-	-	9	-	-	-	12	13	-	15	-	77	78	79	80
									16	17	18	-	20	21	-	23	24	25	26	-	28	-	30	-	-	-	-	85	
									-	-	-	-	-	-	-	-	38	-	-	-	-	43	-	-	-	-	-	-	-
									46	47	-	49	-	51	52	53	54	-	56	-	-	59	-	86	-	-	-	-	
									-	-	-	-	-	66	67	68	69	70	71	-	73	74	-	91	-	-	94	95	
GPEC RCPT CONN 95 CKT TOP LVR KEY 4/52	349927015	4-BLACK	IH	PLR	LT	LA	M	R	1	-	3	4	-	6	-	-	9	-	-	-	-	-	15	-	-	78	79	80	
									16	17	-	19	-	21	-	23	24	25	26	-	28	29	30	-	-	-	-	85	
									-	-	-	-	-	-	-	-	-	-	-	-	42	-	44	-	-	-	-	-	-
									46	-	-	49	-	51	-	53	54	55	56	-	-	59	-	86	-	-	-	-	
									-	-	-	64	-	66	67	68	69	70	71	-	-	74	75	91	-	-	-	95	
GPEC RCPT CONN 95 CKT TOP LVR KEY 4/50	349927016	4-BLACK	IH	PLR	LT	LA	M	R	-	-	3	4	-	-	-	-	9	-	-	-	12	13	-	15	-	77	78	79	80
									16	17	18	-	20	21	22	23	-	25	26	-	28	-	30	-	-	-	-	85	
									-	-	-	-	-	-	-	-	-	40	-	42	-	44	-	-	-	-	-	-	
									46	47	48	-	-	51	52	53	54	-	56	-	-	59	-	86	-	-	-	-	
									61	-	-	-	-	66	67	68	-	70	71	72	73	74	-	-	-	-	-	95	
GPEC RCPT CONN 95 CKT END LVR KEY 5/95	349928001	5-BLACK	IH	PLR	LE	LA	M	R	-	-	-	-	-	-	-	-	-	-	-	-	-	-	-	-	-	-	-		
									-	-	-	-	-	-	-	-	-	-	-	-	-	-	-	-	-	-	-	-	
									-	-	-	-	-	-	-	-	-	-	-	-	-	-	-	-	-	-	-	-	
									-	-	-	-	-	-	-	-	-	-	-	-	-	-	-	-	-	-	-	-	
									-	-	-	-	-	-	-	-	-	-	-	-	-	-	-	-	-	-	-	-	
GPEC RCPT CONN 95 CKT END LVR KEY 5/95	349928002	5-BLACK	IH	PLR	LE	LA	M	R	-	-	-	-	-	-	-	-	-	-	-	-	-	-	-	-	-	-	-		
									-	-	-	-	-	-	-	-	-	-	-	-	-	-	-	-	-	-	-	-	
									-	-	-	-	-	-	-	-	-	-	-	-	-	-	-	-	-	-	-	-	
									-	-	-	-	-	-	-	-	-	-	-	-	-	-	-	-	-	-	-	-	
									-	-	-	-	-	-	-	-	-	-	-	-	-	-	-	-	-	-	-	-	
GPEC RCPT CONN 95 CKT END LVR KEY 5/49	349928003	5-BLACK	IH	PLR	LE	LA	M	R	-	2	3	4	-	-	-	-	-	-	-	-	-	14	15	-	-	-	-	-	
									-	17	18	-	20	21	-	-	24	-	26	27	-	-	30	81	-	-	-	85	
									-	-	33	34	35	-	-	38	39	-	41	-	-	44	-	-	-	-	-	-	
									46	47	48	49	50	51	52	53	-	-	-	57	58	-	-	86	87	88	-	-	
									-	62	63	64	65	66	67	68	-	70	71	72	-	-	-	91	-	-	-	-	
GPEC RCPT CONN 95 CKT END LVR KEY 5/56	349928004	5-BLACK	IH	PLR	LE	LA	M	R	-	-	-	4	5	-	-	-	-	-	-	-	-	-	-	-	-	-	-	-	
									-	-	-	-	-	21	-	23	-	-	26	27	-	-	-	-	-	-	-	-	
									31	32	-	-	-	-	37	-	39	-	-	42	43	-	-	-	-	-	-	-	
									-	-	48	49	50	51	52	53	54	55	56	-	58	59	60	-	87	-	-	-	
									61	62	63	64	65	-	67	68	-	-	-	72	73	74	75	-	92	93	94	-	
GPEC RCPT CONN 95 CKT END LVR KEY 5/44	349928005	5-BLACK	IH	PLR	LE	LA	M	R	-	-	-	-	5	-	-	-	-	-	-	12	-	-	-	76	77	78	79	80	
									-	-	-	-	-	21	-	-	24	25	-	27	-	29	-	-	-	83	84	85	
									31	32	33	34	35	-	-	-	39	-	-	-	43	44	-	-	-	-	-	-	
									-	-	48	49	50	51	52	-	-	55	56	-	58	59	60	-	-	-	-	90	
									61	62	63	64	65	66	67	68	69	70	71	72	73	74	75	-	-	-	94	95	

ASSEMBLY DESCRIPTION	ASSEMBLY PART NUMBER	COMPONENT							BLOCKED TERMINALS																STATUS	COMMENTS																							
		THE PRESENCE OF AN ABBREVIATION INDICATES THE PRESENCE OF THAT COMPONENT.							CAVITY WITH A NUMBER INDICATES BLOCKED TERMINAL POSITION CAVITY WITHOUT A NUMBER INDICATES OPEN TERMINAL POSITION																																								
		OUTER HOUSING KEY/COLOR	INNER HOUSING	PLR	LEVER	LEVER ARM (x/2)	MAT SEAL	RING SEAL																																									
GPEC RCPT CONN 95 CKT TOP LVR KEY 5/95	349929001	5-BLACK	IH	PLR	LT	LA	M	R	-	-	-	-	-	-	-	-	-	-	-	-	-	-	-	-	-	-	-	-	-	-	-	-	-	SALEABLE															
									-	-	-	-	-	-	-	-	-	-	-	-	-	-	-	-	-	-	-	-	-	-	-	-	-		-	-	-	-	-	-	-	-	-						
									-	-	-	-	-	-	-	-	-	-	-	-	-	-	-	-	-	-	-	-	-	-	-	-	-		-	-	-	-	-	-	-	-	-	-					
									-	-	-	-	-	-	-	-	-	-	-	-	-	-	-	-	-	-	-	-	-	-	-	-	-		-	-	-	-	-	-	-	-	-	-	-				
									-	-	-	-	-	-	-	-	-	-	-	-	-	-	-	-	-	-	-	-	-	-	-	-	-		-	-	-	-	-	-	-	-	-	-	-				
GPEC RCPT CONN 95 CKT TOP LVR KEY 5/51	349929002	5-BLACK	IH	PLR	LT	LA	M	R	-	-	3	4	-	-	-	-	9	-	-	12	13	-	15	-	-	-	-	-	-	-	-	-	-	-	-	77	78	-	80	SALEABLE									
									16	17	-	19	-	21	-	23	24	-	-	-	-	28	29	30	-	-	-	-	-	-	-	-	-	-	-	-	-	-	-		-	-	-	-	-	85			
									-	-	-	-	-	-	-	-	-	-	-	-	-	-	-	-	-	-	-	-	-	-	-	-	-	-	-	-	-	-	-		-	-	-	-	-	-	-	-	
									46	47	48	-	-	51	52	53	54	-	56	-	-	-	59	60	-	-	-	-	-	-	-	-	-	-	-	-	-	-	-		-	-	86	-	-	-	-		
									61	-	-	64	-	66	67	68	69	70	71	-	73	74	75	-	-	-	-	-	-	-	-	-	-	-	-	-	-	-	-		-	-	-	91	-	-	-	95	
GPEC RCPT CONN 95 CKT TOP LVR KEY 5/95	349929003	5-BLACK	IH	PLR	LT	LA	M	R	-	-	-	-	-	-	-	-	-	-	-	-	-	-	-	-	-	-	-	-	-	-	-	-	-	-	-	-	-	-	-	-	-	-	-	SALEABLE					
									-	-	-	-	-	-	-	-	-	-	-	-	-	-	-	-	-	-	-	-	-	-	-	-	-	-	-	-	-	-	-	-	-	-	-		-	-	-		
									-	-	-	-	-	-	-	-	-	-	-	-	-	-	-	-	-	-	-	-	-	-	-	-	-	-	-	-	-	-	-	-	-	-	-		-	-	-	-	
									-	-	-	-	-	-	-	-	-	-	-	-	-	-	-	-	-	-	-	-	-	-	-	-	-	-	-	-	-	-	-	-	-	-	-		-	-	-	-	
									-	-	-	-	-	-	-	-	-	-	-	-	-	-	-	-	-	-	-	-	-	-	-	-	-	-	-	-	-	-	-	-	-	-	-		-	-	-	-	-
GPEC RCPT CONN 95 CKT TOP LVR KEY 5/45	349929004	5-BLACK	IH	PLR	LT	LA	M	R	-	-	3	4	-	6	7	8	9	-	-	12	13	-	15	-	-	-	-	-	-	-	-	-	-	-	-	-	-	-	-	77	78	-	80	SALEABLE					
									16	17	-	19	-	21	-	23	24	-	-	-	-	28	29	30	-	-	-	-	-	-	-	-	-	-	-	-	-	-	-	-	-	-	-		-	-	85		
									-	-	-	-	-	-	-	-	-	-	-	-	-	41	42	-	44	-	-	-	-	-	-	-	-	-	-	-	-	-	-	-	-	-	-		-	-	-	-	
									46	47	48	-	-	51	52	53	54	55	56	-	-	59	60	-	-	-	-	-	-	-	-	-	-	-	-	-	-	-	-	-	-	-	86		-	-	-	-	
									61	-	-	64	-	66	67	68	69	70	71	-	73	74	75	-	-	-	-	-	-	-	-	-	-	-	-	-	-	-	-	-	-	-	-		91	-	-	-	95
GPEC RCPT CONN 95 CKT TOP LVR KEY 5/48	349929005	5-BLACK	IH	PLR	LT	LA	M	R	-	-	3	4	-	6	7	8	9	-	-	-	-	-	-	-	-	-	-	-	-	-	-	-	-	-	-	-	-	-	-	77	78	-	80	SALEABLE					
									16	17	-	19	-	21	-	23	24	-	-	-	-	28	29	30	-	-	-	-	-	-	-	-	-	-	-	-	-	-	-	-	-	-	-		-	-	85		
									-	-	-	-	-	-	-	-	-	-	-	-	-	41	42	-	44	-	-	-	-	-	-	-	-	-	-	-	-	-	-	-	-	-	-		-	-	-	-	
									46	47	48	-	-	51	-	53	54	55	56	-	-	59	60	-	-	-	-	-	-	-	-	-	-	-	-	-	-	-	-	-	-	-	-		86	-	-	-	-
									61	-	-	64	-	66	67	68	69	70	71	-	73	74	75	-	-	-	-	-	-	-	-	-	-	-	-	-	-	-	-	-	-	-	-		91	-	-	-	95
GPEC RCPT CONN 95 CKT TOP LVR KEY 5/50	349929006	5-BLACK	IH	PLR	LT	LA	M	R	-	-	-	4	5	-	-	-	-	-	-	-	-	-	-	-	-	-	-	-	-	-	-	-	-	-	-	-	-	-	-	-	-	-	-	SALEABLE					
									-	-	-	19	-	21	-	23	24	25	26	27	-	-	-	-	-	-	-	-	-	-	-	-	-	-	-	-	-	-	-	-	-	-	81		82	-	-	-	
									31	-	-	-	-	-	37	38	39	-	41	-	43	44	-	-	-	-	-	-	-	-	-	-	-	-	-	-	-	-	-	-	-	-	-		-	-	-	-	
									-	-	48	49	-	-	52	-	54	55	56	-	58	59	60	-	-	-	-	-	-	-	-	-	-	-	-	-	-	-	-	-	-	-	-		-	87	88	89	-
									61	62	63	64	65	66	67	68	-	70	71	72	73	74	75	-	-	-	-	-	-	-	-	-	-	-	-	-	-	-	-	-	-	-	-		-	92	-	-	-
GPEC RCPT CONN 95 CKT TOP LVR KEY 5/57	349929007	5-BLACK	IH	PLR	LT	LA	M	R	-	-	-	4	5	-	-	-	-	-	-	-	-	-	-	-	-	-	-	-	-	-	-	-	-	-	-	-	-	-	-	-	-	-	-	SALEABLE					
									-	-	-	-	-	21	-	23	-	25	26	27	-	-	-	-	-	-	-	-	-	-	-	-	-	-	-	-	-	-	-	-	-	-	-		-	-	-	-	
									31	32	-	-	-	-	37	-	39	-	-	-	42	43	-	-	-	-	-	-	-	-	-	-	-	-	-	-	-	-	-	-	-	-	-		-	-	-	-	
									-	-	-	49	50	51	52	53	54	-	56	-	58	59	60	-	-	-	-	-	-	-	-	-	-	-	-	-	-	-	-	-	-	-	-		-	87	88	-	-
									61	62	63	64	65	66	67	68	-	-	-	-	72	73	74	75	-	-	-	-	-	-	-	-	-	-	-	-	-	-	-	-	-	-	-		-	92	-	-	-
GPEC RCPT CONN 95 CKT TOP LVR KEY 5/66	349929008	5-BLACK	IH	PLR	LT	LA	M	R	-	-	-	-	-	-	-	-	-	-	-	-	12	-	-	-	-	-	-	-	-	-	-	-	-	-	-	-	-	-	-	-	-	-	-	80	SALEABLE				
									-	-	-	19	-	-	-	-	-	-	-	-	-	27	-	-	-	-	-	-	-	-	-	-	-	-	-	-	-	-	-	-	-	-	-	-		-	-	85	
									-	32	-	-	-	-	-	-	-	-	-	-	-	-	-	-	-	-	43	-	-	-	-	-	-	-	-	-	-	-	-	-	-	-	-	-		-	-	-	
									-	-	48	49	-	51	52	-	-	55	56	-	58	59	60	-	-	-	-	-	-	-	-	-	-	-	-	-	-	-	-	-	-	-	-	-		-	-	89	-
									61	62	63	64	-	-	67	68	69	-	-	-	72	73	74	75	-	-	-	-	-	-	-	-	-	-	-	-	-	-	-	-	-	-	-	-		-	-	94	-
GPEC RCPT CONN 95 CKT TOP LVR KEY 5/49	349929009	5-BLACK	IH	PLR	LT	LA	M	R	-	-	-	4	5	-	-	-	-	-	-	-	-	-	-	-	-	-	-	-	-	-	-	-	-	-	-	-	-	-	-	-	-	-	-	SALEABLE					
									-	-	18	19	-	21	-	23	24	25	26	27	-	-	-	-	-	-	-	-	-	-	-	-	-	-	-	-	-	-	-	-	-	-	81		82	-	-	-	
									31	-	-	-	-	-	37	38	39	-	41	-	43	44	-	-	-	-	-	-	-	-	-	-	-	-	-	-	-	-	-	-	-	-	-		-	-	-	-	
									-	-	48	49	-	-	52	-	54	55	56	-	58	59	60	-	-	-	-	-	-	-	-	-	-	-	-	-	-	-	-	-	-	-	-		-	87	88	89	-
									61	62	63	64	65	66	67	68	-	70	71	72	73	74	75	-	-	-	-	-	-	-	-	-	-	-	-	-	-	-	-	-	-	-	-		-	92	-	-	-
GPEC RCPT CONN 95 CKT TOP LVR KEY 5/94	349929010	5-BLACK	IH	PLR	LT	LA	M	R	-	-	-	-	-	-	-	-	-	-	-	-	-	-	-	-	-	-	-	-	-	-	-	-	-	-	-	-	-	-	-	-	-	-	-	-	SALEABLE				
									-	-	-	-	-	-	-	-	-	-	-	-	-	-	-	-	-	-	-	-	-	-	-	-	-	-	-	-	-	-	-	-	-	-	-	-		-	-	-	
									-	-	-	-	-	-	-	-	-	-	-	-	-	-	-	-	-	-	-	-	-	-	-	-	-	-	-	-	-	-	-	-	-	-	-	-		-	-	-	-
									-	-	-	-	-	-	-	-	-	-	-	-	-	-	-	-	-	-	-	-	-	-	-	-	-	-	-	-	-	-	-	-	-	-	-	-		-	-	-	-
									-	-	-	-	-	-	-	-	-	-	-	-	-	-	-	-	-	-	-	-	-	-	-	-	-	-	-	-	-	-	-	-	-	-	-	-		-	-	-	-

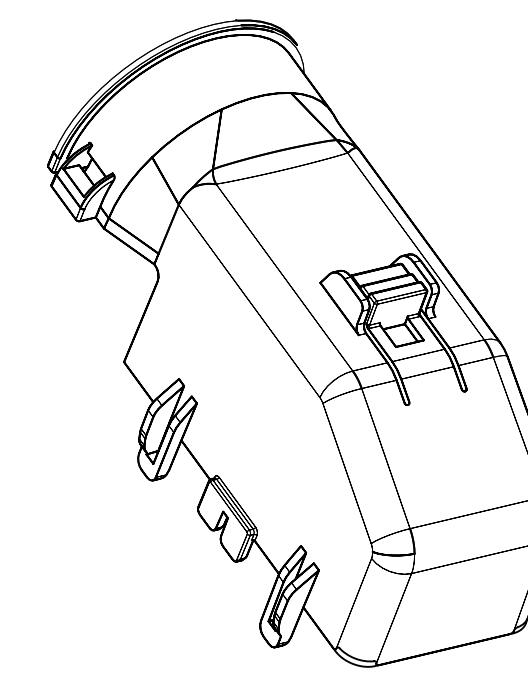
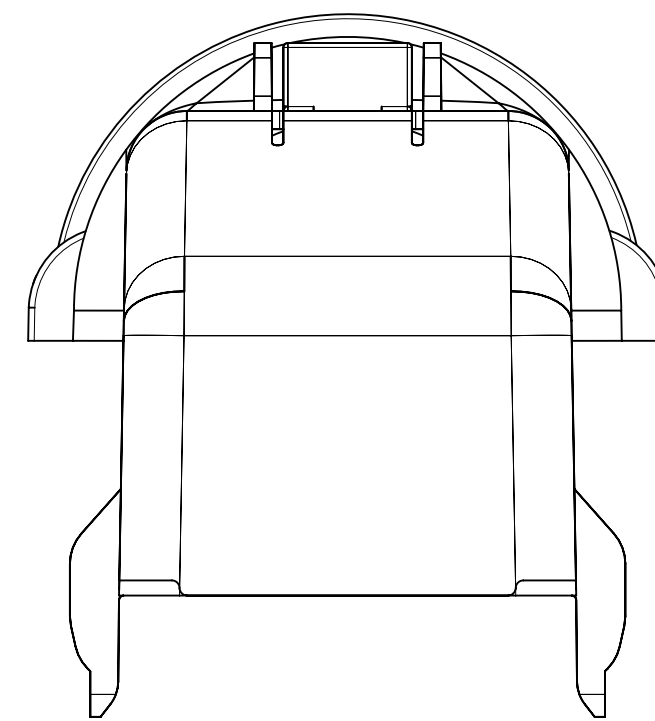
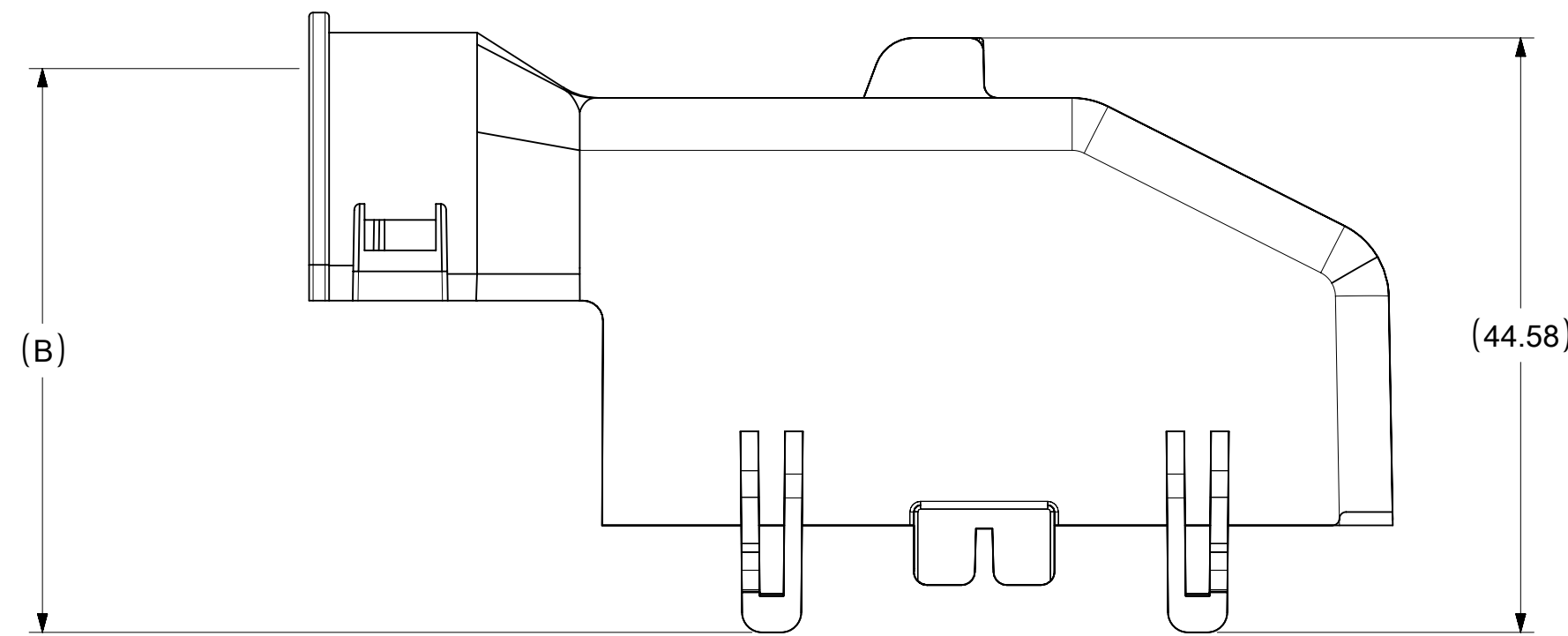
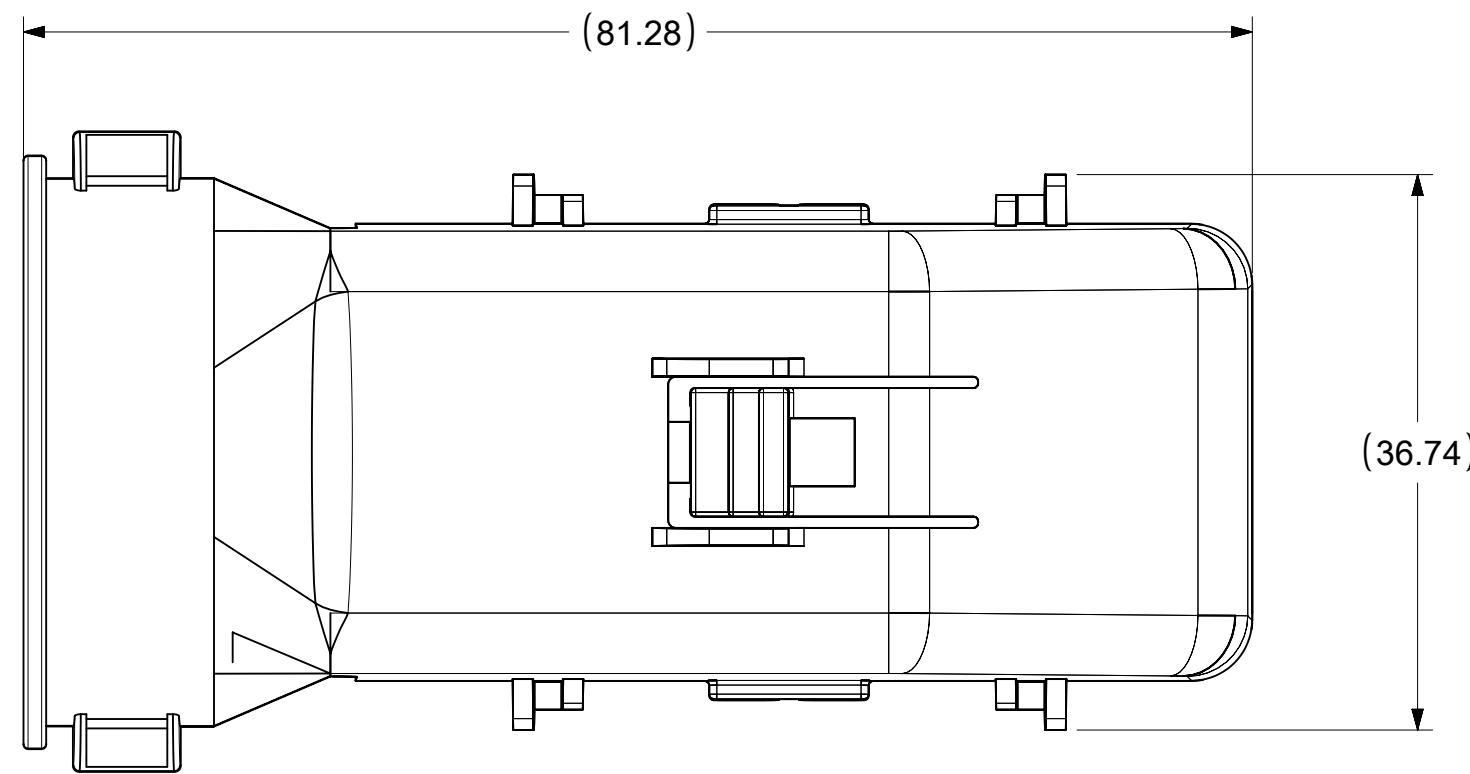
## BOM AND PIN OUT SHEET

ASSEMBLY DESCRIPTION	ASSEMBLY PART NUMBER	COMPONENT							BLOCKED TERMINALS																	STATUS	COMMENTS																								
		THE PRESENCE OF AN ABBREVIATION INDICATES THE PRESENCE OF THAT COMPONENT.							CAVITY WITH A NUMBER INDICATES BLOCKED TERMINAL POSITION CAVITY WITHOUT A NUMBER INDICATES OPEN TERMINAL POSITION																																										
		OUTER HOUSING KEY/COLOR	INNER HOUSING	PLR	LEVER	LEVER ARM (x/2)	MAT SEAL	RING SEAL																																											
GPEC RCPT CONN 95 CKT TOP LVR KEY 5/51	349929011	5-BLACK	IH	PLR	LT	LA	M	R	-	-	-	4	5	-	-	-	-	-	-	-	-	-	-	-	-	-	-	-	-	-	-	-	-	-	-	-	-	-	-	-	-	-	-	-							
									-	-	18	19	-	21	-	23	24	25	26	27	-	-	-	-	-	-	-	-	-	-	-	-	-	-	-	-	-	-	-	-	-	-	-	-	-	-	-	-			
									31	-	-	-	-	-	37	38	39	-	41	-	43	44	-	-	-	-	-	-	-	-	-	-	-	-	-	-	-	-	-	-	-	-	-	-	-	-	-	-	-		
									-	-	48	49	-	-	52	-	54	55	56	-	58	59	60	-	-	-	-	-	-	-	-	-	-	-	-	-	-	-	-	-	-	-	-	-	-	-	-	-	-	-	
GPEC RCPT CONN 95 CKT TOP LVR KEY 5/54	349929012	5-BLACK	IH	PLR	LT	LA	M	R	-	-	-	4	5	-	-	-	-	-	-	-	-	-	-	-	-	-	-	-	-	-	-	-	-	-	-	-	-	-	-	-	-	-	-	-							
									-	-	-	-	-	21	-	23	24	-	26	27	28	-	-	-	-	-	-	-	-	-	-	-	-	-	-	-	-	-	-	-	-	-	-	-	-	-	-	-			
									31	-	-	-	-	-	37	38	39	-	-	42	43	44	-	-	-	-	-	-	-	-	-	-	-	-	-	-	-	-	-	-	-	-	-	-	-	-	-	-	-		
									-	-	48	49	-	-	52	-	54	55	56	-	58	59	60	-	-	-	-	-	-	-	-	-	-	-	-	-	-	-	-	-	-	-	-	-	-	-	-	-	-	-	
GPEC RCPT CONN 95 CKT TOP LVR KEY 5/39	349929013	5-BLACK	IH	PLR	LT	LA	M	R	-	-	3	4	-	6	7	8	9	-	-	12	13	-	15	-	-	-	-	-	-	-	-	-	-	-	-	-	-	-	-	-	-	-	-	-							
									16	17	18	19	20	21	22	23	-	25	26	-	28	29	30	-	-	-	-	-	-	-	-	-	-	-	-	-	-	-	-	-	-	-	-	-	-	-	-	-			
									-	-	-	-	-	-	-	-	38	-	40	41	42	-	44	-	-	-	-	-	-	-	-	-	-	-	-	-	-	-	-	-	-	-	-	-	-	-	-	-	-	-	-
									46	47	48	-	-	51	52	53	54	55	56	-	-	59	-	-	-	-	-	-	-	-	-	-	-	-	-	-	-	-	-	-	-	-	-	-	-	-	-	-	-	-	
GPEC RCPT CONN 95 CKT TOP LVR KEY 5/40	349929014	5-BLACK	IH	PLR	LT	LA	M	R	-	-	3	4	-	6	7	8	9	-	-	12	13	-	15	-	-	-	-	-	-	-	-	-	-	-	-	-	-	-	-	-	-	-	-	-	-						
									16	17	18	19	20	21	22	23	-	25	26	-	28	29	30	-	-	-	-	-	-	-	-	-	-	-	-	-	-	-	-	-	-	-	-	-	-	-	-	-	-		
									-	-	-	-	-	-	-	-	38	-	40	41	-	-	44	-	-	-	-	-	-	-	-	-	-	-	-	-	-	-	-	-	-	-	-	-	-	-	-	-	-	-	-
									46	47	48	-	-	51	52	53	54	55	56	-	-	59	-	-	-	-	-	-	-	-	-	-	-	-	-	-	-	-	-	-	-	-	-	-	-	-	-	-	-	-	
GPEC RCPT CONN 95 CKT TOP LVR KEY 5/38	349929015	5-BLACK	IH	PLR	LT	LA	M	R	-	-	3	4	-	6	7	8	9	-	-	12	13	-	15	-	-	-	-	-	-	-	-	-	-	-	-	-	-	-	-	-	-	-	-	-	-						
									16	17	18	19	20	21	22	23	-	25	26	-	28	29	30	-	-	-	-	-	-	-	-	-	-	-	-	-	-	-	-	-	-	-	-	-	-	-	-	-	-		
									-	-	-	-	-	-	-	-	38	-	40	41	42	-	44	-	-	-	-	-	-	-	-	-	-	-	-	-	-	-	-	-	-	-	-	-	-	-	-	-	-	-	-
									46	47	48	-	-	51	52	53	54	55	56	-	-	59	-	-	-	-	-	-	-	-	-	-	-	-	-	-	-	-	-	-	-	-	-	-	-	-	-	-	-	-	
GPEC RCPT CONN 95 CKT TOP LVR KEY 5/38	349929015	5-BLACK	IH	PLR	LT	LA	M	R	-	-	3	4	-	6	7	8	9	-	-	12	13	-	15	-	-	-	-	-	-	-	-	-	-	-	-	-	-	-	-	-	-	-	-	-	-						
									16	17	18	19	20	21	22	23	-	25	26	-	28	29	30	-	-	-	-	-	-	-	-	-	-	-	-	-	-	-	-	-	-	-	-	-	-	-	-	-	-		
									-	-	-	-	-	-	-	-	38	-	40	41	42	-	44	-	-	-	-	-	-	-	-	-	-	-	-	-	-	-	-	-	-	-	-	-	-	-	-	-	-	-	-
									46	47	48	-	-	51	52	53	54	55	56	-	-	59	-	-	-	-	-	-	-	-	-	-	-	-	-	-	-	-	-	-	-	-	-	-	-	-	-	-	-	-	-

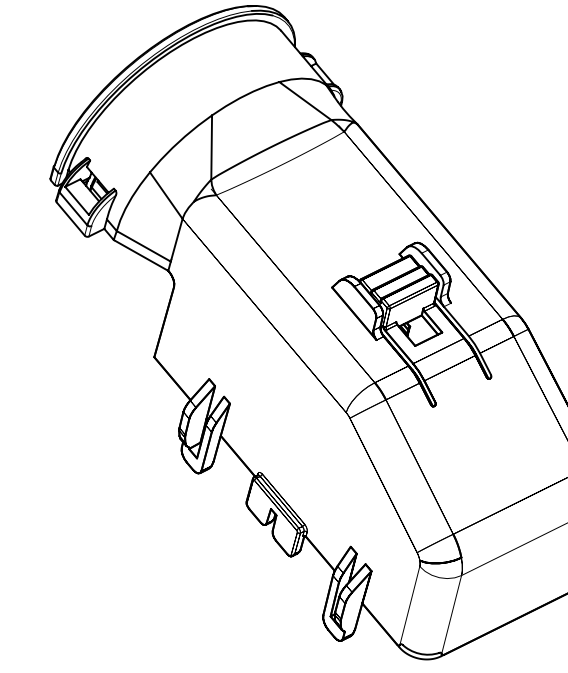
BILL OF MATERIAL

MAX TEMP (AMBIENT + RISE) 125° C (CLASS #3)

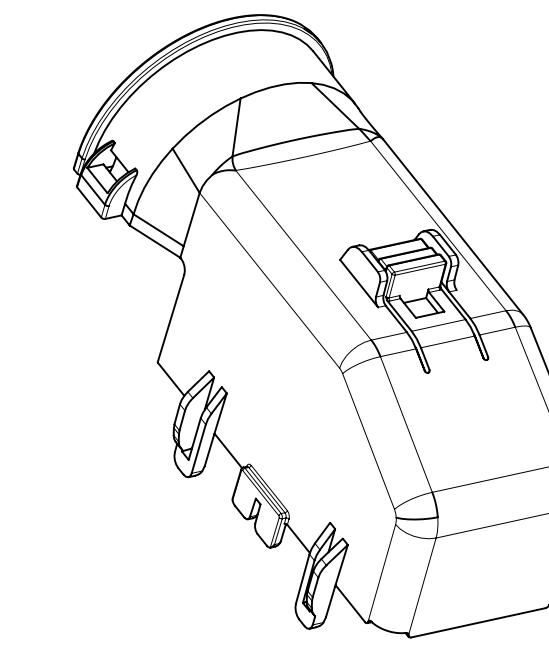
ITEM	MOLEX PART NUMBER	DESCRIPTION	CHARTED DIM		COLOR	RECYCLING CODE	VOLUME (MM³)	NOTES
			(A) (MM)	(B) (MM)				
1	34992-0906	19MM WIRE DRESS COVER	33.74	42.28	BLACK	>PA66-GF35<	9405.97	
2	34992-0907	25MM WIRE DRESS COVER	42.36	46.48	BLACK	>PA66-GF35<	9989.12	
3	34992-0908	19MM WIRE DRESS COVER	33.74	42.28	BLACK	>PA66-GF35<	9405.97	RESTRICTED
4	34992-0909	25MM WIRE DRESS COVER	42.36	46.48	BLACK	>PA66-GF35<	9989.12	RESTRICTED
5	203200-0919	25MM WIRE DRESS COVER	42.36	46.48	BLACK	>PA66-GF35<	9989.12	DRAIN HOLES



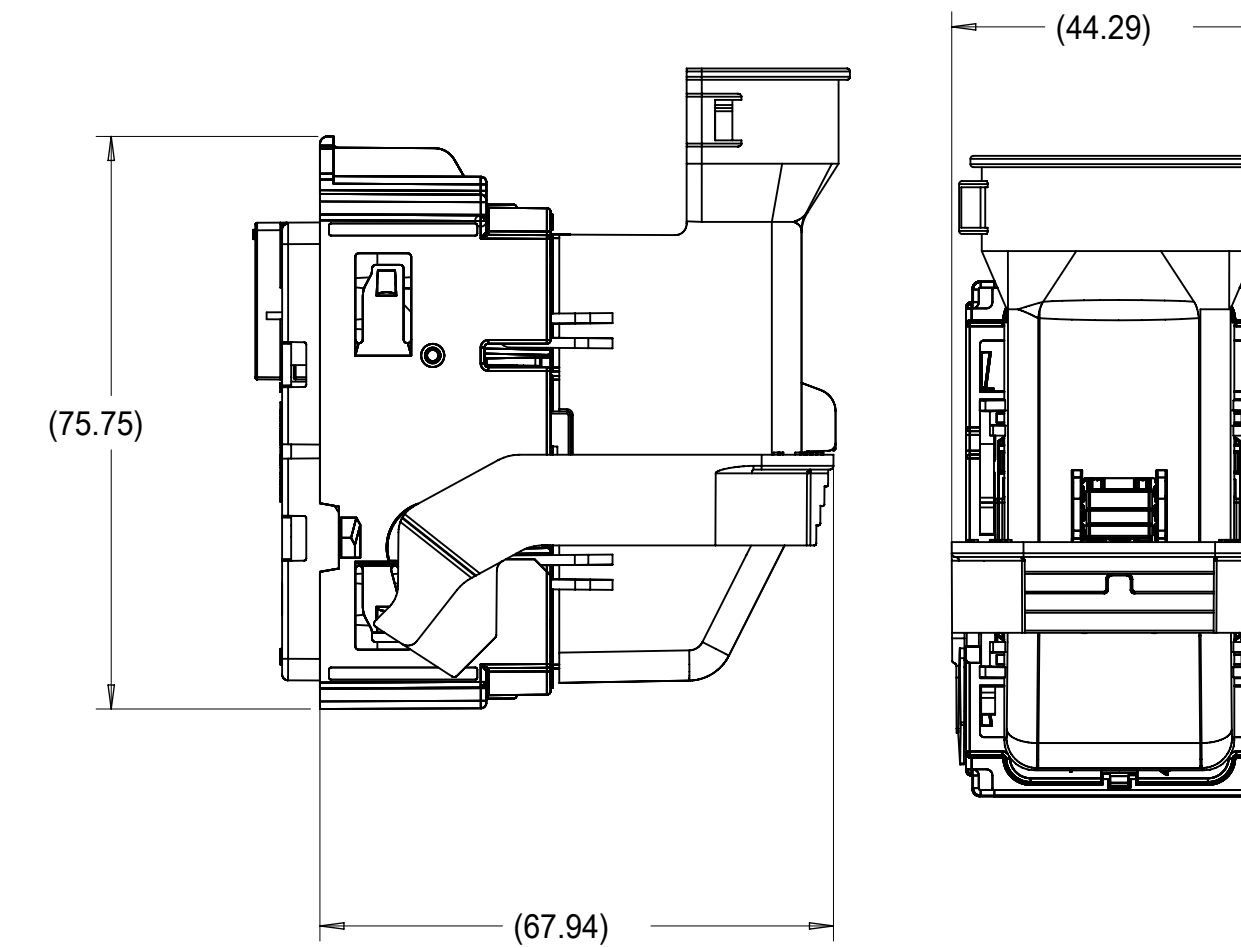
25MM CONDUIT WIRE DRESS COVER



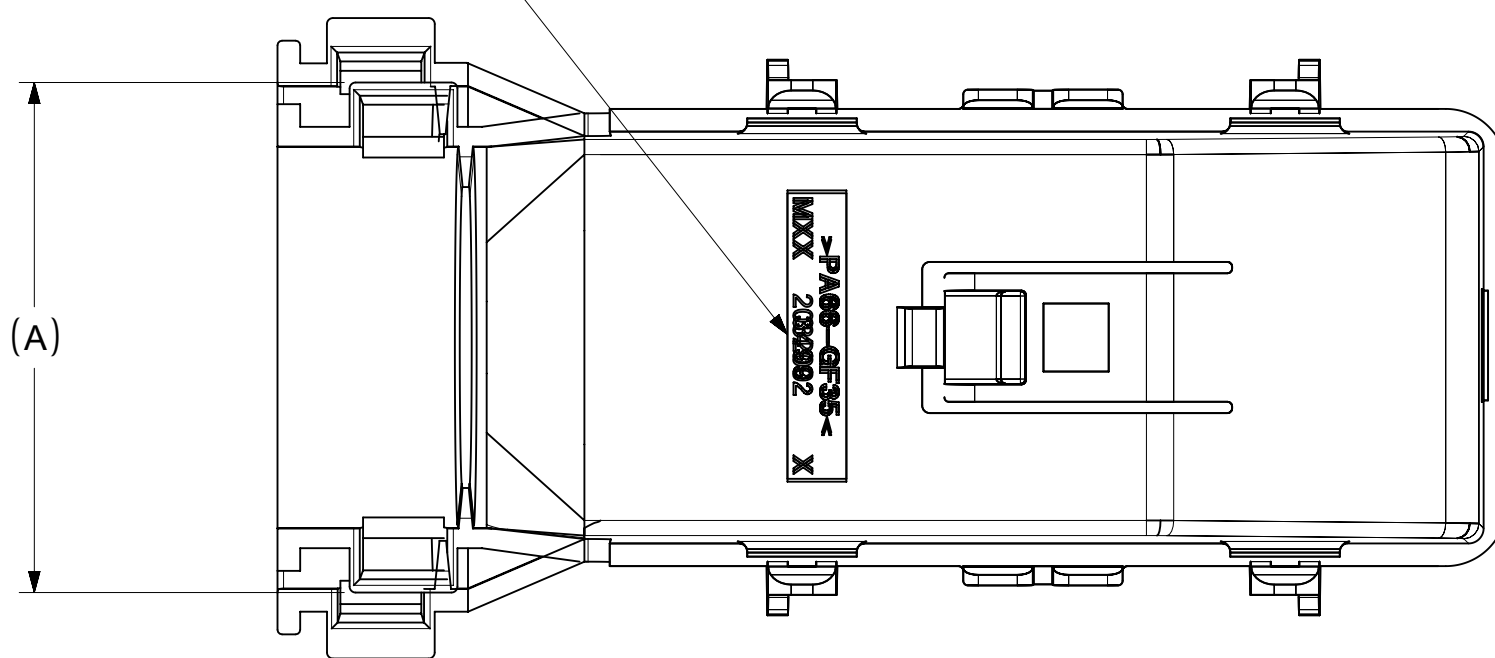
19MM CONDUIT WIRE DRESS COVER



25MM CONDUIT WIRE DRESS COVER (DRAIN HOLES)



SEE NOTE 2



REFER TO THE MASTER DRAWING 2032000001-SD FOR GENERAL NOTES.

- PART MUST CONFORM TO USCAR SAE-2 REV5 DATED NOV. 2007
- PLASTIC PARTS MUST HAVE MATERIAL IDENTIFICATION SYMBOLS CLEARLY MARKED.
- ENGINEERING APPROVAL REQUIRED FOR ALL SOURCING AND TOOLING OF THIS PART.
- FOR ENGINEERING APPROVED SOURCE SEE ENGINEERING RELEASE.
- ENGINEERING APPROVAL OF SAMPLE FROM SUPPLIER IS REQUIRED PRIOR TO AUTHORIZATION OF PART PRODUCTION.
- CHANGES IN DESIGN, COMPOSITION, OR PROCESSING OF THE PART, PREVIOUSLY APPROVED FOR PART PRODUCTION REQUIRES PRIOR ENGINEERING APPROVAL.

A4	ADDED 203200-0919
A1	ADDED 34992-0908 & 34992-0909 ADDED CHARTED DIMENSION A & B
A	NX-REMASTERING
REV	DESCRIPTION

QUALITY SYMBOLS F = 0 F = 0 F = 0 T = 0 C = 0 X = 0 ■ = 0 V = 0		THIS DRAWING CONTAINS INFORMATION THAT IS PROPRIETARY TO MOLEX ELECTRONIC TECHNOLOGIES, LLC AND SHOULD NOT BE USED WITHOUT WRITTEN PERMISSION		DIMENSION UNITS mm		SCALE 2:1			
GENERAL TOLERANCES (UNLESS SPECIFIED) ANGULAR TOL ± 3.0 ° 4 PLACES ± 3 PLACES ± 2 PLACES ± 0.3 1 PLACE ± 0.3 0 PLACES ± 0.3 DRAFT WHERE APPLICABLE MUST REMAIN WITHIN DIMENSIONS		DRWN BY C BOWDEN		DATE 2014/09/18		CHKD BY JCONDON			
EC NO: 644706 DRWN: HKANG03 CHKD: BDICK01 REV APPR: BDICK01		APPR BY KDEKOSKI		DATE 2014/09/22		DRAWING SIZE D		THIRD ANGLE PROJECTION	
PRODUCT CUSTOMER DRAWING		SERIES 34992		MATERIAL NUMBER CHARTED		CUSTOMER CHYSLER		DOCUMENT NUMBER SD-34992-906	
DOC TYPE PSD		DOC PART 001		SHEET NUMBER 1 OF 1					