

- 4 Type (Base)**
- A1** Steel, zinc plated, black rubber pad inlay
  - A2** Steel, zinc plated, white rubber pad inlay

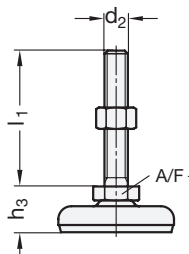
**Inch table**

Dimensions in: inches - millimeters

d <sub>1</sub>	d <sub>2</sub> Thread	l <sub>1</sub>				l <sub>7</sub>				h <sub>1</sub>	h <sub>2</sub>	s	
		Version S / SK		Version U / UK		Version X							
1.97 50	5/16 x 18	-	-	-	-	-	-	-	-	1.46 37	0.57 14.5	0.14 3.5	0.12 3
1.97 50	3/8 x 16	2.95 75	3.94 100	4.92 125	5.91 150	-	-	-	-	1.57 40	0.57 14.5	0.14 3.5	0.12 3
1.97 50	1/2 x 13	2.95 75	3.94 100	4.92 125	5.91 150	-	-	-	-	1.69 43	0.57 14.5	0.14 3.5	0.12 3
1.97 50	5/8 x 11	-	-	-	-	2.95 75	3.94 100	4.92 125	5.91 150	1.93 49	0.57 14.5	0.14 3.5	0.12 3
2.36 60	5/16 x 18	-	-	-	-	-	-	-	-	1.50 38	0.63 16	0.16 4	0.12 3
2.36 60	3/8 x 16	2.95 75	3.94 100	4.92 125	5.91 150	-	-	-	-	1.61 41	0.63 16	0.16 4	0.12 3
2.36 60	1/2 x 13	2.95 75	3.94 100	4.92 125	5.91 150	-	-	-	-	1.77 45	0.63 16	0.16 4	0.12 3
2.36 60	5/8 x 11	-	-	-	-	2.95 75	3.94 100	4.92 125	5.91 150	1.97 50	0.63 16	0.16 4	0.12 3
3.15 80	5/16 x 18	-	-	-	-	-	-	-	-	1.57 40	0.71 18	0.20 5	0.12 3
3.15 80	3/8 x 16	2.95 75	3.94 100	4.92 125	5.91 150	-	-	-	-	1.69 43	0.71 18	0.20 5	0.12 3
3.15 80	1/2 x 13	2.95 75	3.94 100	4.92 125	5.91 150	-	-	-	-	1.85 47	0.71 18	0.20 5	0.12 3
3.15 80	5/8 x 11	-	-	-	-	2.95 75	3.94 100	4.92 125	5.91 150	2.05 52	0.71 18	0.20 5	0.12 3
3.15 80	3/4 x 10	-	-	-	-	3.94 100	4.92 125	5.91 150	-	2.36 60	0.71 18	0.20 5	0.12 3
3.94 100	5/16 x 18	-	-	-	-	-	-	-	-	1.65 42	0.79 20	0.24 6	0.12 3
3.94 100	3/8 x 16	2.95 75	3.94 100	4.92 125	5.91 150	-	-	-	-	1.77 45	0.79 20	0.24 6	0.12 3
3.94 100	1/2 x 13	2.95 75	3.94 100	4.92 125	5.91 150	-	-	-	-	1.93 49	0.79 20	0.24 6	0.12 3
3.94 100	5/8 x 11	-	-	-	-	2.95 75	3.94 100	4.92 125	5.91 150	2.13 54	0.79 20	0.24 6	0.12 3
3.94 100	3/4 x 10	-	-	-	-	3.94 100	4.92 125	5.91 150	-	2.44 62	0.79 20	0.24 6	0.12 3

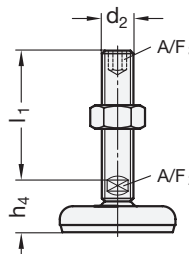
d <sub>1</sub>	d <sub>2</sub> Thread	h <sub>3</sub>	h <sub>4</sub>	A/F <sub>1</sub>	A/F <sub>2</sub>	A/F <sub>3</sub>	A/F <sub>7</sub>	t
1.97 50	5/16 x 18	-	-	-	-	-	0.55 14	0.31 8
1.97 50	3/8 x 16	0.91 23	-	0.67 17	-	-	0.55 14	0.39 10
1.97 50	1/2 x 13	0.91 23	-	0.67 17	-	-	0.67 17	0.47 12
1.97 50	5/8 x 11	-	1.14 29	-	0.47 12	0.31 8	0.87 22	0.63 16
2.36 60	5/16 x 18	-	-	-	-	-	0.55 14	0.31 8
2.36 60	3/8 x 16	0.94 24	-	0.67 17	-	-	0.55 14	0.39 10
2.36 60	1/2 x 13	0.94 24	-	0.67 17	-	-	0.67 17	0.47 12
2.36 60	5/8 x 11	-	1.18 30	-	0.47 12	0.31 8	0.87 22	0.63 16
3.15 80	5/16 x 18	-	-	-	-	-	0.55 14	0.31 8
3.15 80	3/8 x 16	1.02 26	-	0.67 17	-	-	0.55 14	0.39 10
3.15 80	1/2 x 13	1.02 26	-	0.67 17	-	-	0.67 17	0.47 12
3.15 80	5/8 x 11	-	1.26 32	-	0.47 12	0.31 8	0.87 22	0.63 16
3.15 80	3/4 x 10	-	1.30 33	-	0.59 15	0.39 10	1.06 27	0.79 20
3.94 100	5/16 x 18	-	-	-	-	-	0.55 14	0.31 8
3.94 100	3/8 x 16	1.10 28	-	0.67 17	-	-	0.55 14	0.39 10
3.94 100	1/2 x 13	1.10 28	-	0.67 17	-	-	0.67 17	0.47 12
3.94 100	5/8 x 11	-	1.34 34	-	0.47 12	0.31 8	0.87 22	0.63 16
3.94 100	3/4 x 10	-	1.38 35	-	0.59 15	0.39 10	1.06 27	0.79 20

**Stud / socket versions**



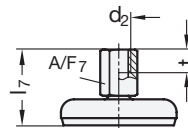
**S** Without nut  
**SK** With nut

External hexagon at the bottom at d<sub>2</sub>  
3/8 x 16, 1/2 x 13  
M 8, M 10, M 12



**U** Without nut  
**UK** With nut

Internal hexagon at the top, wrench flat at the bottom at d<sub>2</sub>  
5/8 x 11, 3/4 x 10  
M 16, M 20, M 24, M 30



**X** Tapped socket type

External hexagon with tapped socket at d<sub>2</sub>  
5/16 x 18, 3/8 x 16, 1/2 x 13, 5/8 x 11, 3/4 x 10  
M 8, M 10, M 12, M 16, M 20

3.1  
3.2  
3.3  
3.4  
3.5  
3.6  
3.7  
3.8  
3.9  
3.10



## Metric table

<sup>1</sup> d <sub>1</sub>	<sup>2</sup> d <sub>2</sub> Thread	<sup>3</sup> l <sub>1</sub> Version S / SK					Version U / UK					<sup>3</sup> l <sub>7</sub> Version X	h <sub>1</sub>	h <sub>2</sub>	s
50 1.97	M 8	40 1.57	50 1.97	63 2.48	-	-	-	-	-	-	37 1.46	14.5 0.57	3.5 0.14	3 0.12	
50 1.97	M 10	50 1.97	60 2.36	80 3.15	100 3.94	-	-	-	-	-	40 1.57	14.5 0.57	3.5 0.14	3 0.12	
50 1.97	M 12	60 2.36	80 3.15	100 3.94	125 4.92	-	-	-	-	-	43 1.69	14.5 0.57	3.5 0.14	3 0.12	
50 1.97	M 16	-	-	-	-	75 2.95	100 3.94	125 4.92	150 5.91	200 7.87	49 1.93	14.5 0.57	3.5 0.14	3 0.12	
60 2.36	M 8	40 1.57	50 1.97	63 2.48	-	-	-	-	-	-	38 1.50	16 0.63	4 0.16	3 0.12	
60 2.36	M 10	50 1.97	60 2.36	80 3.15	100 3.94	-	-	-	-	-	41 1.61	16 0.63	4 0.16	3 0.12	
60 2.36	M 12	60 2.36	80 3.15	100 3.94	125 4.92	-	-	-	-	-	45 1.77	16 0.63	4 0.16	3 0.12	
60 2.36	M 16	-	-	-	-	75 2.95	100 3.94	125 4.92	150 5.91	200 7.87	50 1.97	16 0.63	4 0.16	3 0.12	
80 3.15	M 8	40 1.57	50 1.97	63 2.48	-	-	-	-	-	-	40 1.57	18 0.71	5 0.20	3 0.12	
80 3.15	M 10	50 1.97	60 2.36	80 3.15	100 3.94	-	-	-	-	-	43 1.69	18 0.71	5 0.20	3 0.12	
80 3.15	M 12	60 2.36	80 3.15	100 3.94	125 4.92	-	-	-	-	-	47 1.85	18 0.71	5 0.20	3 0.12	
80 3.15	M 16	-	-	-	-	75 2.95	100 3.94	125 4.92	150 5.91	200 7.87	52 2.05	18 0.71	5 0.20	3 0.12	
80 3.15	M 20	-	-	-	-	75 2.95	100 3.94	125 4.92	150 5.91	200 7.87	60 2.36	18 0.71	5 0.20	3 0.12	
80 3.15	M 24	-	-	-	-	100 3.94	125 4.92	150 5.91	200 7.87	-	-	18 0.71	5 0.20	3 0.12	
100 3.94	M 8	40 1.57	50 1.97	63 2.48	-	-	-	-	-	-	42 1.65	20 0.79	6 0.24	3 0.12	
100 3.94	M 10	50 1.97	60 2.36	80 3.15	100 3.94	-	-	-	-	-	45 1.77	20 0.79	6 0.24	3 0.12	
100 3.94	M 12	60 2.36	80 3.15	100 3.94	125 4.92	-	-	-	-	-	49 1.93	20 0.79	6 0.24	3 0.12	
100 3.94	M 16	-	-	-	-	75 2.95	100 3.94	125 4.92	150 5.91	200 7.87	54 2.13	20 0.79	6 0.24	3 0.12	
100 3.94	M 20	-	-	-	-	75 2.95	100 3.94	125 4.92	150 5.91	200 7.87	62 2.44	20 0.79	6 0.24	3 0.12	
100 3.94	M 24	-	-	-	-	100 3.94	125 4.92	150 5.91	200 7.87	-	-	20 0.79	6 0.24	3 0.12	
120 4.72	M 20	-	-	-	-	100 3.94	125 4.92	150 5.91	200 7.87	-	65 2.56	22 0.87	6 0.24	4 0.16	
120 4.72	M 24	-	-	-	-	100 3.94	125 4.92	150 5.91	200 7.87	-	-	22 0.87	6 0.24	4 0.16	
120 4.72	M 30	-	-	-	-	100 3.94	125 4.92	150 5.91	200 7.87	-	-	22 0.87	6 0.24	4 0.16	

<sup>3</sup> Dimensions in: millimeters - inches

d <sub>1</sub>	d <sub>2</sub> Thread	h <sub>3</sub>	h <sub>4</sub>	A/F <sub>1</sub>	A/F <sub>2</sub>	A/F <sub>3</sub>	A/F <sub>7</sub>	t
50 1.97	M 8	23 0.91	-	17 0.67	-	-	14 0.55	8 0.31
50 1.97	M 10	23 0.91	-	17 0.67	-	-	14 0.55	10 0.39
50 1.97	M 12	23 0.91	-	17 0.67	-	-	17 0.67	12 0.47
50 1.97	M 16	-	29 1.14	-	12 0.47	8 0.31	22 0.87	16 0.63
60 2.36	M 8	24 0.94	-	17 0.67	-	-	14 0.55	8 0.31
60 2.36	M 10	24 0.94	-	17 0.67	-	-	14 0.55	10 0.39
60 2.36	M 12	24 0.94	-	17 0.67	-	-	17 0.67	12 0.47
60 2.36	M 16	-	30 1.18	-	12 0.47	8 0.31	22 0.87	16 0.63
80 3.15	M 8	26 1.02	-	17 0.67	-	-	14 0.55	8 0.31
80 3.15	M 10	26 1.02	-	17 0.67	-	-	14 0.55	10 0.39
80 3.15	M 12	26 1.02	-	17 0.67	-	-	17 0.67	12 0.47
80 3.15	M 16	-	32 1.26	-	12 0.47	8 0.31	22 0.87	16 0.63
80 3.15	M 20	-	33 1.30	-	15 0.59	10 0.39	27 1.06	20 0.79
80 3.15	M 24	-	36 1.42	-	19 0.75	12 0.47	-	-
100 3.94	M 8	28 1.10	-	17 0.67	-	-	14 0.55	8 0.31
100 3.94	M 10	28 1.10	-	17 0.67	-	-	14 0.55	10 0.39
100 3.94	M 12	28 1.10	-	17 0.67	-	-	17 0.67	12 0.47
100 3.94	M 16	-	34 1.34	-	12 0.47	8 0.31	22 0.87	16 0.63
100 3.94	M 20	-	35 1.38	-	15 0.59	10 0.39	27 1.06	20 0.79
100 3.94	M 24	-	38 1.50	-	19 0.75	12 0.47	-	-
120 4.72	M 20	-	39 1.54	-	15 0.59	10 0.39	27 1.06	20 0.79
120 4.72	M 24	-	42 1.65	-	19 0.75	12 0.47	-	-
120 4.72	M 30	-	46 1.81	-	24 0.94	12 0.47	-	-

## Specification

- Base  
Steel sheet metal, zinc plated, blue passivated finish
- Threaded stud / tapped socket  
Steel, zinc plated, blue passivated finish
- Hexagon nut ISO 4032  
Steel, zinc plated, blue passivated finish
- Rubber pad inlay  
- Black: Perbunan® (NBR) 80 ±5 shore A  
- White: Santoprene® (TPE) 80 ±5 shore A
- RoHS compliant

## Information

The solid rubber pad of GN 30 leveling feet is firmly embedded in the sheet metal base and secured by a screw loctited into place. The black rubber pad inlay (NBR) offers high resistance to swelling when in contact with oils and fuels. The white rubber pad inlay (TPE) has excellent dynamic fatigue life and is resistant to ozone and atmospheric influences.

These leveling feet are supplied fully assembled and cannot be disassembled.

### How to order (Inch)

GN 30-50-5/16X18-37-A2-X

- 1 Base diameter d<sub>1</sub>
- 2 Thread d<sub>2</sub>
- 3 Length l<sub>1</sub> (Length l<sub>1</sub>)
- 4 Type (Base)
- 5 Stud / socket version

### How to order (Metric)

GN 30-120-M30-125-A1-UK

- 1 Base diameter d<sub>1</sub>
- 2 Thread d<sub>2</sub>
- 3 Length l<sub>1</sub> (Length l<sub>1</sub>)
- 4 Type (Base)
- 5 Stud / socket version