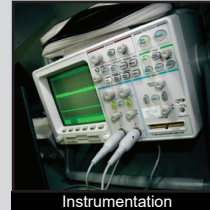


# RP8100 SERIES PUSHBUTTON SWITCH

ANTI-VANDAL SWITCHES  
DETECTOR SWITCHES  
DIP SWITCHES  
KEYLOCK SWITCHES  
NAVIGATION SWITCHES  
PUSHBUTTON SWITCHES  
ROCKER SWITCHES  
ROTARY SWITCHES  
SLIDE SWITCHES  
SNAP ACTION SWITCHES  
TACTILE SWITCHES  
TOGGLE SWITCHES  
CAP OPTIONS



## APPLICATIONS / MARKETS



**RoHS**

## SPECIFICATIONS

**Electrical Rating:**  
125mA @ 125VAC, 100mA @ 50VDC  
**Life Expectancy:** 500,000 Cycles at full load  
**Contact Resistance:** 50mΩ Max. (initial)  
**Insulation Resistance:** 1,000MΩ Min. @ 500VDC  
**Dielectric Strength:** 1,000VAC rms  
**Operating Temperature:** -30°C to 85°C  
**Travel:** 1.5mm  
**Contact Arrangement:** SPST, Off-(On), Momentary  
**Actuation Force:** 350 gf  
**Contact Bounce:** 10ms MAX  
**Ingress Protection:** IP67

## FEATURES & BENEFITS

- Threaded or snap in panel mount
- 500,000 life expectancy
- LED illumination options
- Sealed to IP67 ratings
- Molded back w/ wire leads (500mm long) optional

## PART NUMBER CONFIGURATOR

Series	Bushing	Termination	Contact Material	Seal	Housing Color	Cap Color	LED Color
<input type="checkbox"/> <input type="checkbox"/> <input type="checkbox"/> <input type="checkbox"/> <input type="checkbox"/> <input type="checkbox"/> <input type="checkbox"/> <input type="checkbox"/> <input type="checkbox"/> <input type="checkbox"/> <input type="checkbox"/> <input type="checkbox"/> <input type="checkbox"/> <input type="checkbox"/> <input type="checkbox"/> <input type="checkbox"/> <input type="checkbox"/> <input type="checkbox"/> <input type="checkbox"/> <input type="checkbox"/> <input type="checkbox"/>	<input type="checkbox"/> <input type="checkbox"/>	<input type="checkbox"/> <input type="checkbox"/>	<input type="checkbox"/>	<input type="checkbox"/>	<input type="checkbox"/> <input type="checkbox"/> <input type="checkbox"/> <input type="checkbox"/>	<input type="checkbox"/> <input type="checkbox"/> <input type="checkbox"/> <input type="checkbox"/> <input type="checkbox"/> <input type="checkbox"/> <input type="checkbox"/> <input type="checkbox"/> <input type="checkbox"/> <input type="checkbox"/>	<input type="checkbox"/> <input type="checkbox"/> <input type="checkbox"/> <input type="checkbox"/> <input type="checkbox"/> <input type="checkbox"/> <input type="checkbox"/> <input type="checkbox"/> <input type="checkbox"/> <input type="checkbox"/>
RP8100 RP8101*	B1 - Snap In B2 - Threaded (12 x 0.75)*	M1 - Solder Lug W1 - Molded Back w/Wire Leads 500mm long**	C - Gold Over Silver	E - Epoxy Sealed	BLK - Black	WHT - White BLK - Black RED - Red ORG - Orange YEL - Yellow GRN - Green BLU - Blue	WHT - White LED RED - Red LED YEL - Yellow LED GRN - Green LED BLU - Blue LED RG - Red/Green LED RB - Red/Blue LED NIL - Non Illuminated*

**NOTES:**  
\*The RP8101 series is only offered with B2 Bushing and is non-illuminated.  
\*\*W1 - Molded back w/Wire Leads only available with B2 - Threaded Bushing.

Specifications subject to change without notice 4.21.2022



**E-SWITCH®**

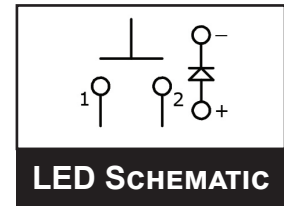
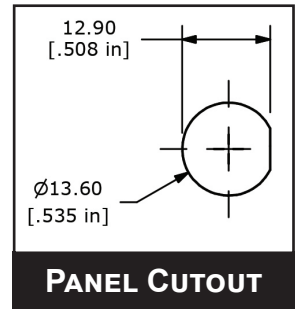
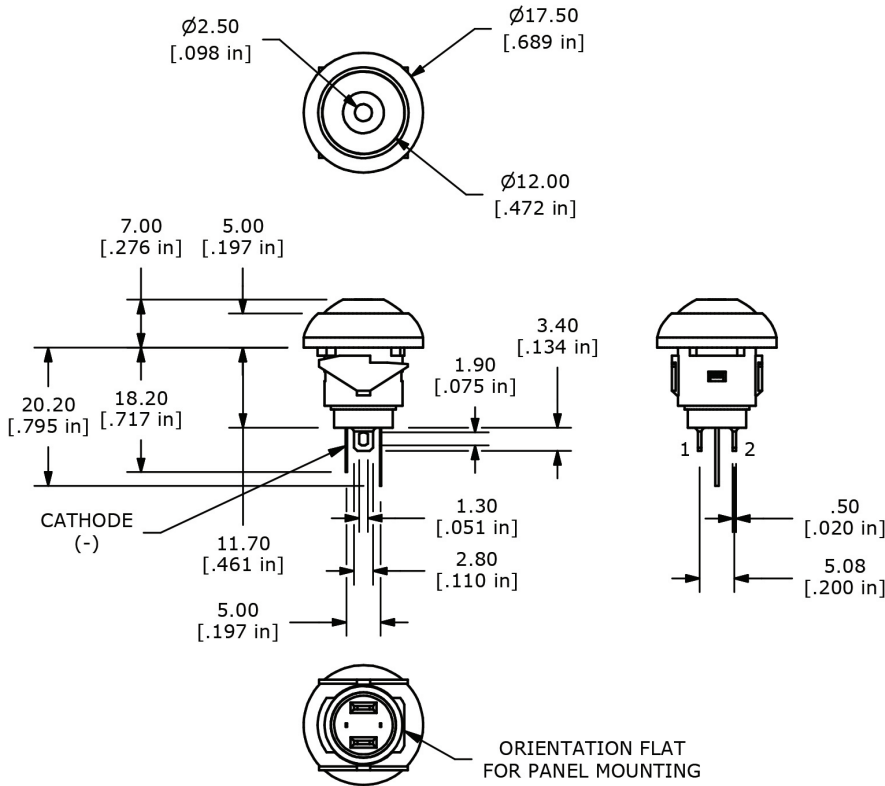
www.e-switch.com

800.867.2717

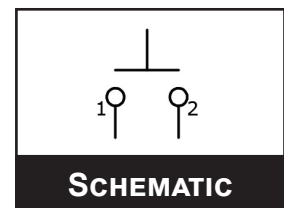
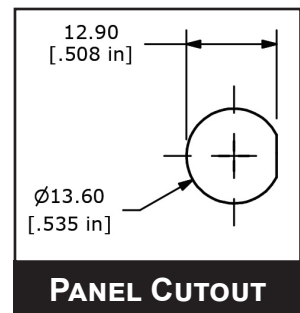
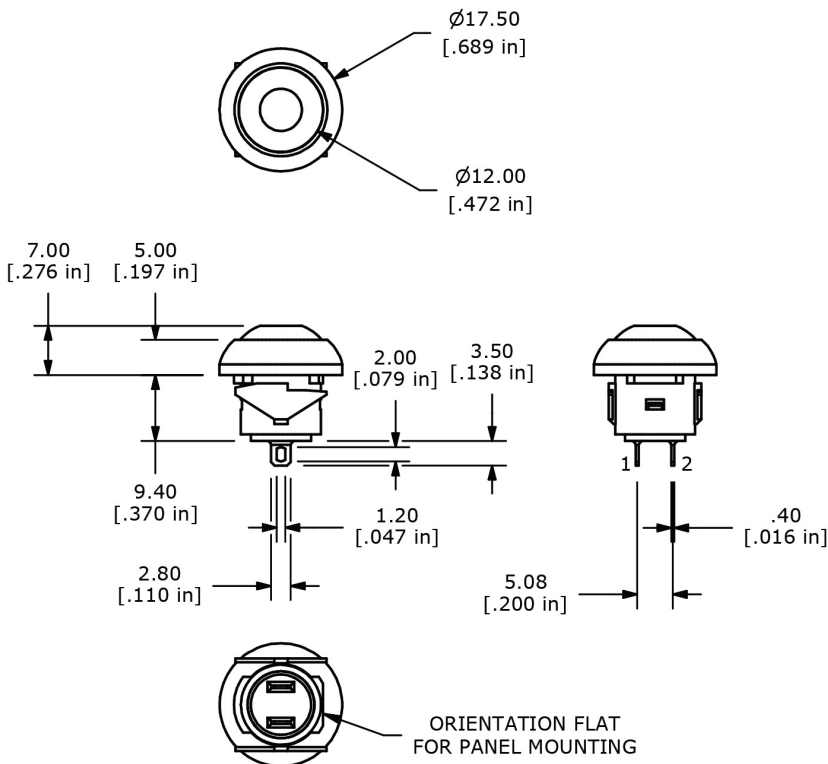
1

# RP8100 SERIES PUSHBUTTON SWITCH

## RP8100 w/LED B1 BUSHING

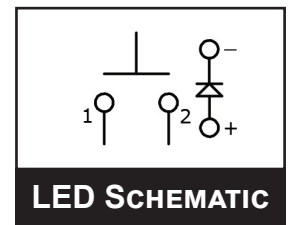
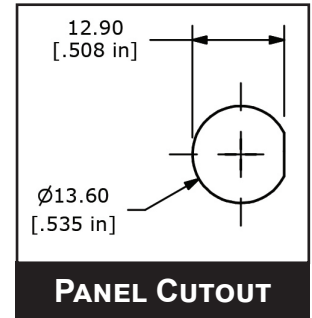
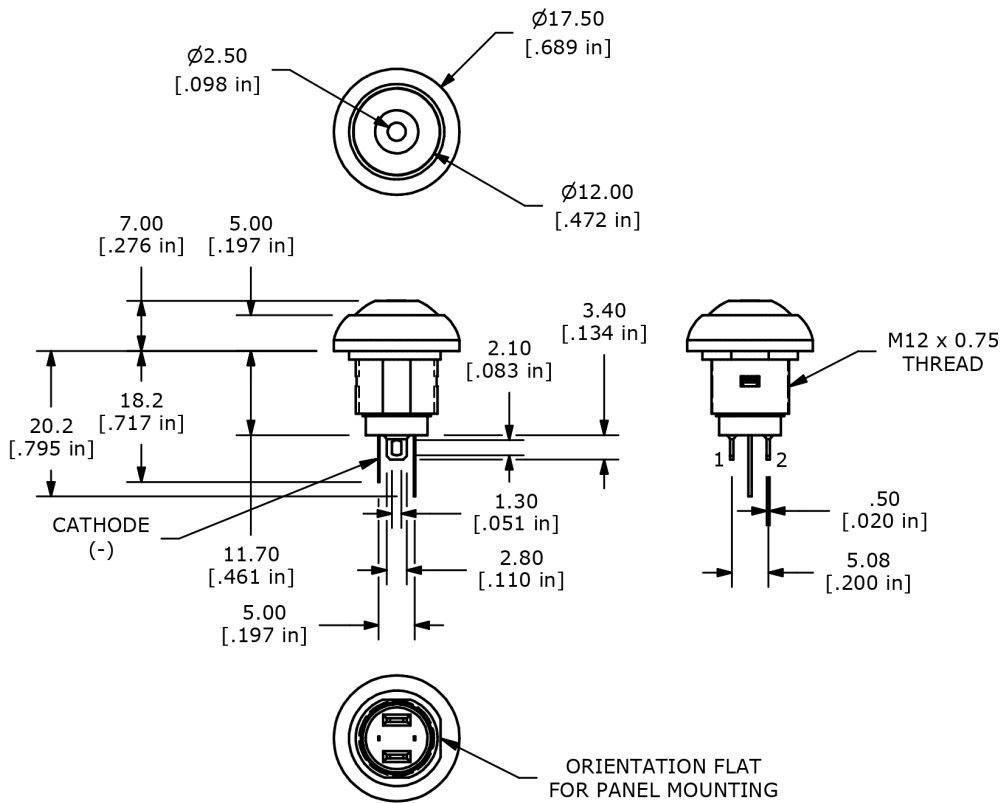


## RP8100 w/o LED B1 BUSHING

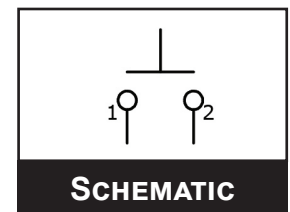
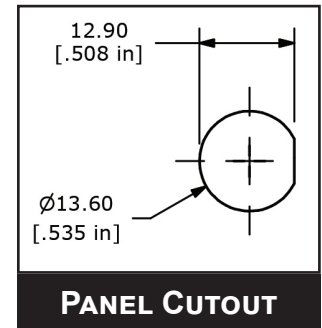
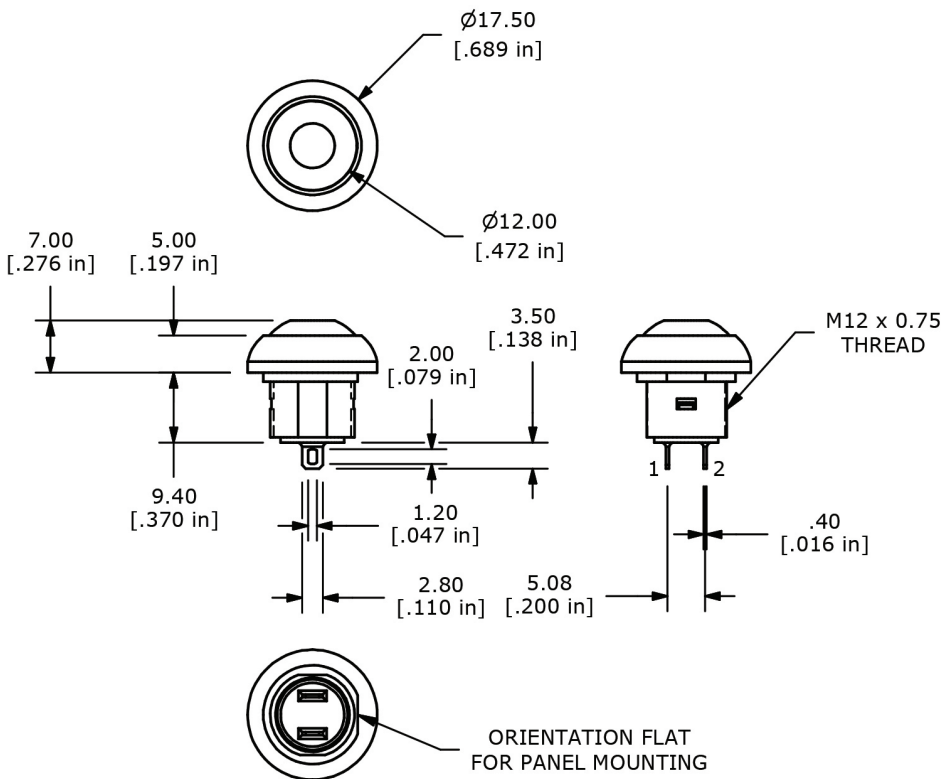


# RP8100 SERIES PUSHBUTTON SWITCH

## RP8100 w/ LED B2 BUSHING



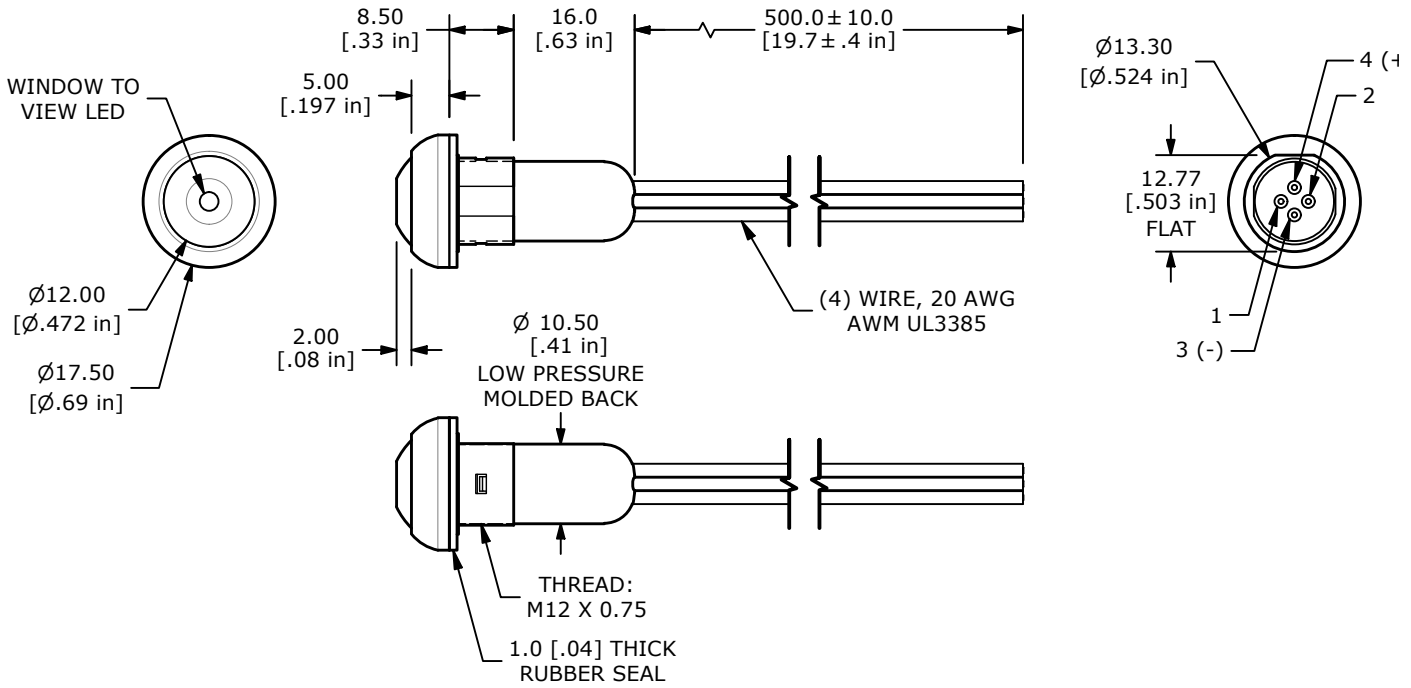
## RP8100 w/o LED B2 BUSHING



# RP8100 SERIES PUSHBUTTON SWITCH

## RP8100 w/ LED B2 BUSHING MOLDED BACK w/ WIRED LEADS

TERMINAL	WIRE
1	WIRE, 20 AWG AWM UL3385, BLACK
2	WIRE, 20 AWG AWM UL3385, BLACK
3 (-)	WIRE, 20 AWG AWM UL3385, GREEN
4 (+)	WIRE, 20 AWG AWM UL3385, RED



## RP8101 no LED B2

