

CD4021BC 8-Stage Static Shift Register

General Description

The CD4021BC is an 8-stage parallel input/serial output shift register. A parallel/serial control input enables individual JAM inputs to each of 8 stages. Q outputs are available from the sixth, seventh, and eighth stages. All outputs have equal source and sink current capabilities and conform to standard "B" series output drive.

When the parallel/serial control input is in the logical "0" state, data is serially shifted into the register synchronously with the positive transition of the clock. When the parallel/serial control is in the logical "1" state, data is jammed into each stage of the register asynchronously with the clock.

All inputs are protected against static discharge with diodes to V_{DD} and V_{SS} .

Features

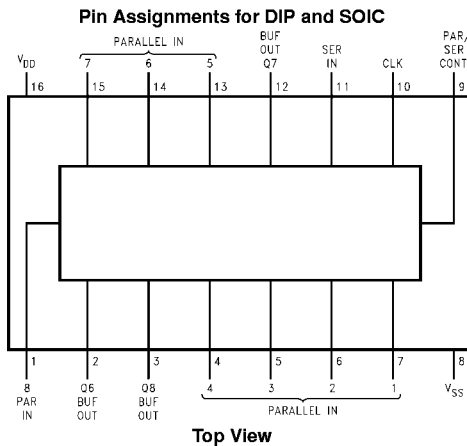
- Wide supply voltage range: 3.0V to 15V
- High noise immunity: 0.45 V_{DD} (typ.)
- Low power TTL compatibility:
 - Fan out of 2 driving 74L or 1 driving 74LS
- 5V–10V–15V parametric ratings
- Symmetrical output characteristics
- Maximum input leakage 1 μA at 15V over full temperature range

Ordering Code:

Order Number	Order Code	Package Description
CD4021BCM	M16A	16-Lead Small Outline Integrated Circuit (SOIC), JEDEC MS-012, 0.150" Narrow Body
CD4021BCN	N16E	16-Lead Plastic Dual-In-Line Package (PDIP), JEDEC MS-001, 0.300" Wide

Devices also available in Tape and Reel. Specify by appending the suffix letter "X" to the ordering code.

Connection Diagram



Truth Table

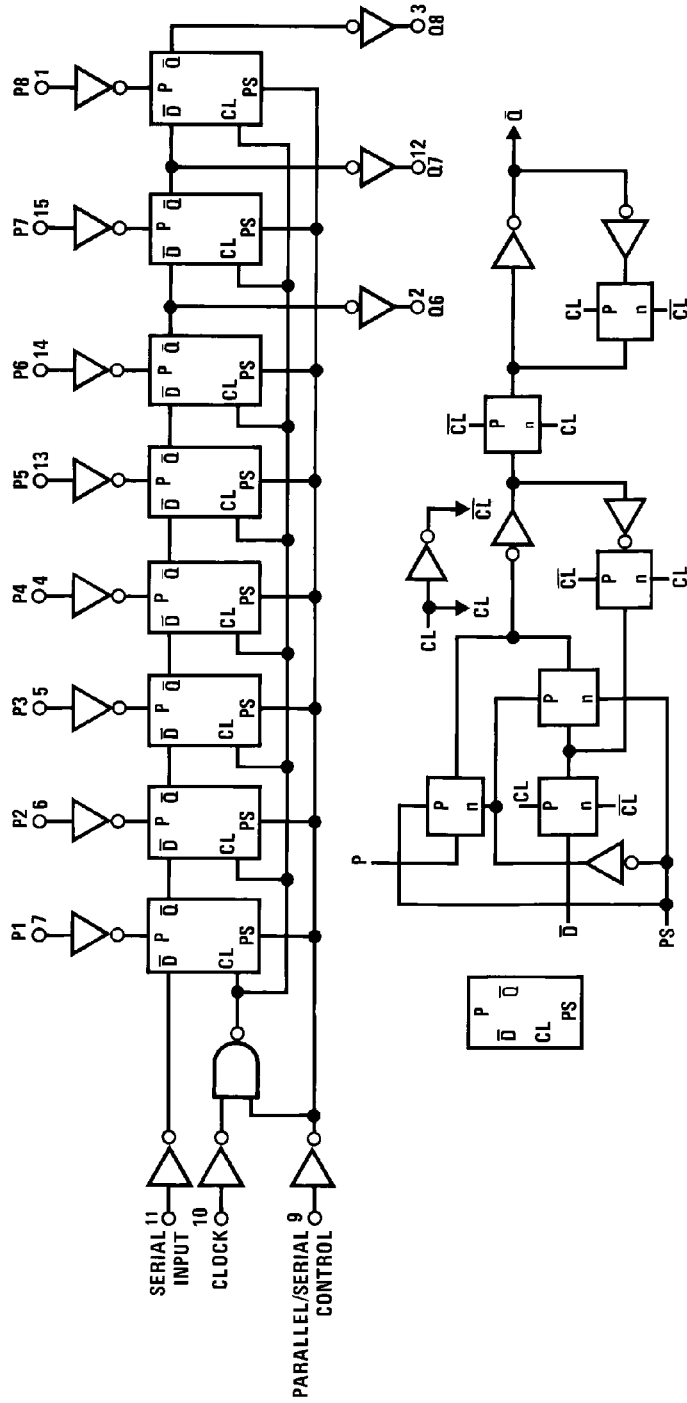
CL (Note 1)	Serial Input	Parallel/Serial Control	PI 1	PI n	Q1 (Internal)	Q _n (Note 2)
X	X	1	0	0	0	0
X	X	1	0	1	0	1
X	X	1	1	0	1	0
X	X	1	1	1	1	1
—	0	0	X	X	0	Q _{n-1}
—	1	0	X	X	1	Q _{n-1}
—	X	0	X	X	Q1	Q _n

X = Don't care case

Note 1: Level change

Note 2: No change

Logic Diagram



Absolute Maximum Ratings (Note 3)

(Note 4)

Supply Voltage (V_{DD})	-0.5V to +18V
Input Voltage (V_{IN})	-0.5V to V_{DD} +0.5V
Storage Temperature Range (T_S)	-65°C to +150°C
Power Dissipation (P_D)	
Dual-In-Line	700 mW
Small Outline	500 mW
Lead Temperature (T_L)	
(Soldering, 10 seconds)	260°C

Recommended Operating Conditions (Note 4)

Supply Voltage (V_{DD})	3V to 15V
Input Voltage (V_{IN})	0 to V_{DD}
Operating Temperature Range (T_A)	
CD4021BCN	-40°C to +85°C

Note 3: "Absolute Maximum Ratings" are those values beyond which the safety of the device cannot be guaranteed. Except for "Operating Temperature Range" they are not meant to imply that the devices should be operated at these limits. The table of "Electrical Characteristics" provides conditions for actual device operation.

Note 4: $V_{SS} = 0V$ unless otherwise specified.

DC Electrical Characteristics (Note 4)

Symbol	Parameter	Conditions	-40°C		+25°C			+85°C		Units
			Min	Max	Min	Typ	Max	Min	Max	
I_{DD}	Quiescent Device Current	$V_{DD} = 5V, V_{IN} = V_{DD}$ or V_{SS}		20		0.1	20		150	μA
		$V_{DD} = 10V, V_{IN} = V_{DD}$ or V_{SS}		40		0.2	40		300	μA
		$V_{DD} = 15V, V_{IN} = V_{DD}$ or V_{SS}		80		0.3	80		600	μA
V_{OL}	LOW Level Output Voltage	$V_{DD} = 5V$		0.05		0	0.05		0.05	V
		$V_{DD} = 10V$ $ I_{OL} < 1 \mu A$		0.05		0	0.05		0.05	V
		$V_{DD} = 15V$		0.05		0	0.05		0.05	V
V_{OH}	HIGH Level Output Voltage	$V_{DD} = 5V$	4.95		4.95	5		4.95		V
		$V_{DD} = 10V$ $ I_{OL} < 1 \mu A$	9.95		9.95	10		9.95		V
		$V_{DD} = 15V$	14.95		14.95	15		14.95		V
V_{IL}	LOW Level Input Voltage	$V_{DD} = 5V, V_O = 0.5V$ or $4.5V$		1.5		2	1.5		1.5	V
		$V_{DD} = 10V, V_O = 1.0V$ or $9.0V$		3.0		4	3.0		3.0	V
		$V_{DD} = 15V, V_O = 1.5V$ or $13.5V$		4.0		6	4.0		4.0	V
V_{IH}	HIGH Level Input Voltage	$V_{DD} = 5V, V_O = 0.5V$ or $4.5V$	3.5		3.5	3		3.5		V
		$V_{DD} = 10V, V_O = 1.0V$ or $9.0V$	7.0		7.0	6		7.0		V
		$V_{DD} = 15V, V_O = 1.5V$ or $13.5V$	11.0		11.0	9		11.0		V
I_{OL}	LOW Level Output Current (Note 5)	$V_{DD} = 5V, V_O = 0.4V$	0.52		0.44	0.88		0.36		mA
		$V_{DD} = 10V, V_O = 0.5V$	1.3		1.1	2.2		0.90		mA
		$V_{DD} = 15V, V_O = 1.5V$	3.6		3.0	8		2.4		mA
I_{OH}	HIGH Level Output Current (Note 5)	$V_{DD} = 5V, V_O = 4.6V$	-0.52		-0.44	-0.88		-0.36		mA
		$V_{DD} = 10V, V_O = 9.5V$	-1.3		-1.1	-2.2		-0.90		mA
		$V_{DD} = 15V, V_O = 13.5V$	-3.6		-3.0	-8		-2.4		mA
I_{IN}	Input Current	$V_{DD} = 15V, V_{IN} = 0V$		-0.3		-10^{-5}	-0.3		-1.0	μA
		$V_{DD} = 15V, V_{IN} = 15V$		0.3		10^{-5}	0.3		1.0	μA

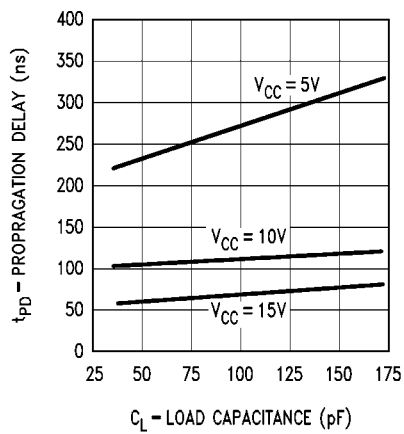
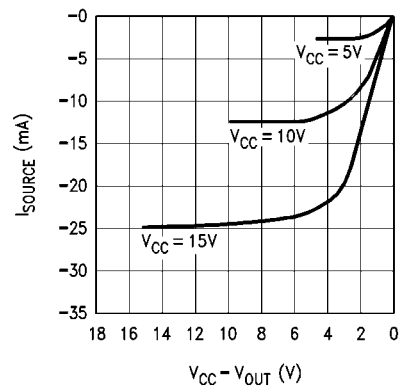
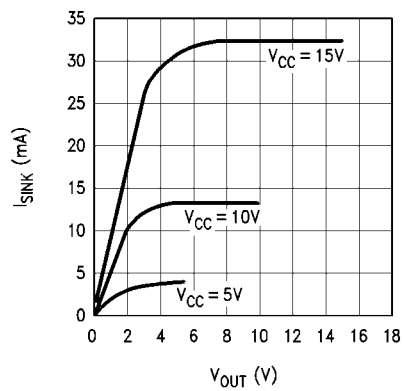
Note 5: I_{OH} and I_{OL} are tested one output at a time.

AC Electrical Characteristics (Note 6) $T_A = 25^\circ\text{C}$, input $t_r, t_f = 20\text{ ns}$, $C_L = 50\text{ pF}$, $R_L = 200\text{ k}\Omega$

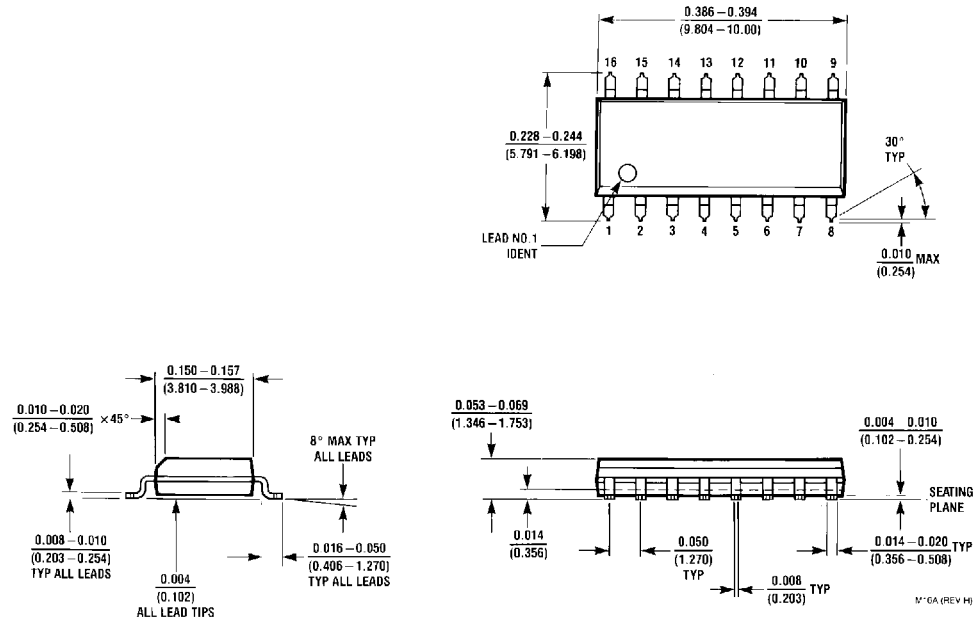
Symbol	Parameter	Conditions	Min	Typ	Max	Units
t_{PLH}, t_{PHL}	Propagation Delay Time	$V_{DD} = 5\text{V}$		240	350	ns
		$V_{DD} = 10\text{V}$		100	175	ns
		$V_{DD} = 15\text{V}$		70	140	ns
t_{THL}, t_{TLH}	Transition Time	$V_{DD} = 5\text{V}$		100	200	ns
		$V_{DD} = 10\text{V}$		50	100	ns
		$V_{DD} = 15\text{V}$		40	80	ns
f_{CL}	Maximum Clock Input Frequency	$V_{DD} = 5\text{V}$	2.5	3.5		MHz
		$V_{DD} = 10\text{V}$	5	10		MHz
		$V_{DD} = 15\text{V}$	8	16		MHz
t_W	Minimum Clock Pulse Width	$V_{DD} = 5\text{V}$		100	200	ns
		$V_{DD} = 10\text{V}$		50	100	ns
		$V_{DD} = 15\text{V}$		40	80	ns
t_{rCL}, t_{fCL}	Clock Rise and Fall Time (Note 6)	$V_{DD} = 5\text{V}$			15	μs
		$V_{DD} = 10\text{V}$			15	μs
		$V_{DD} = 15\text{V}$			15	μs
t_S	Minimum Set-Up Time					
	Serial Input $t_H \geq 200\text{ ns}$ (Ref. to CL)	$V_{DD} = 5\text{V}$		60	120	ns
		$V_{DD} = 10\text{V}$		40	80	ns
		$V_{DD} = 15\text{V}$		30	60	ns
t_H	Minimum Hold Time Serial In, Parallel In, $t_S \geq 400\text{ ns}$ Parallel/Serial Control	$V_{DD} = 5\text{V}$			0	ns
		$V_{DD} = 10\text{V}$			10	ns
		$V_{DD} = 15\text{V}$			15	ns
t_{WH}	Minimum P/S Pulse Width	$V_{DD} = 5\text{V}$		150	250	ns
		$V_{DD} = 10\text{V}$		75	125	ns
		$V_{DD} = 15\text{V}$		50	100	ns
t_{REM}	Minimum P/S Removal Time (Ref. to CL)	$V_{DD} = 5\text{V}$		100	200	ns
		$V_{DD} = 10\text{V}$		50	100	ns
		$V_{DD} = 15\text{V}$		40	80	ns
C_I	Average Input Capacitance	Any Input		5	7.5	pF
C_{PD}	Power Dissipation Capacitance (Note 8)			100		pF

Note 6: AC Parameters are guaranteed by DC correlated testing.**Note 7:** If more than one unit is cascaded t_{rCL} should be made less than or equal to the fixed propagation delay of the output of the driving stage for the estimated capacitive load.**Note 8:** C_{PD} determines the no load AC power consumption of any CMOS device. For complete explanation, see 74C family characteristics application note AN-90.

Typical Performance Characteristics

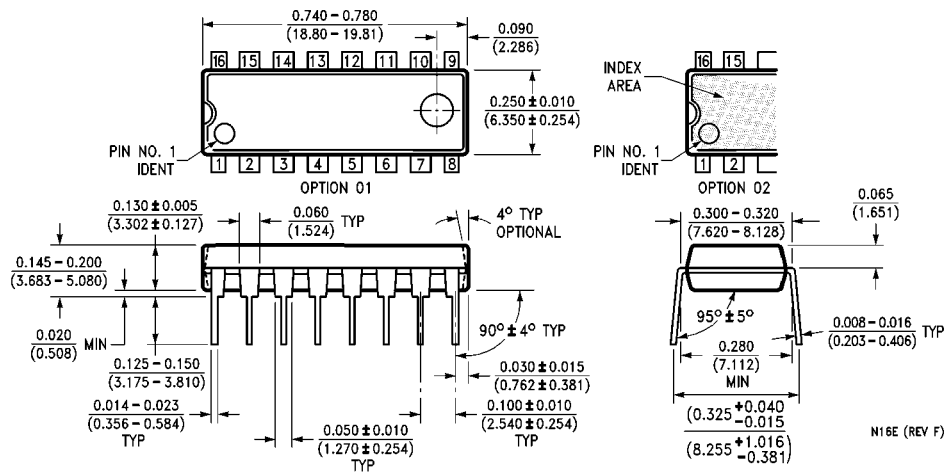


Physical Dimensions inches (millimeters) unless otherwise noted



**16-Lead Small Outline Integrated Circuit (SOIC), JEDEC MS-012, 0.150" Narrow Body
Package Number M16A**

Physical Dimensions inches (millimeters) unless otherwise noted (Continued)



16-Lead Plastic Dual-In-Line Package (PDIP), JEDEC MS-001, 0.300" Wide Package Number N16E

LIFE SUPPORT POLICY

FAIRCHILD'S PRODUCTS ARE NOT AUTHORIZED FOR USE AS CRITICAL COMPONENTS IN LIFE SUPPORT DEVICES OR SYSTEMS WITHOUT THE EXPRESS WRITTEN APPROVAL OF THE PRESIDENT OF FAIRCHILD SEMICONDUCTOR CORPORATION. As used herein:

1. Life support devices or systems are devices or systems which, (a) are intended for surgical implant into the body, or (b) support or sustain life, and (c) whose failure to perform when properly used in accordance with instructions for use provided in the labeling, can be reasonably expected to result in a significant injury to the user.
2. A critical component in any component of a life support device or system whose failure to perform can be reasonably expected to cause the failure of the life support device or system, or to affect its safety or effectiveness.

www.fairchildsemi.com