

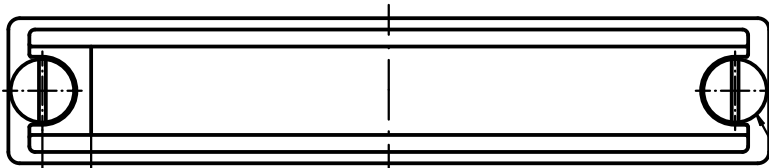
5

4

3

2

1



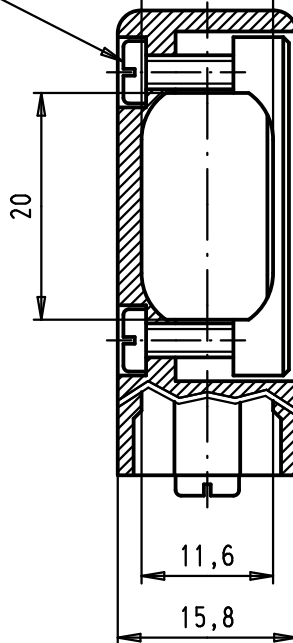
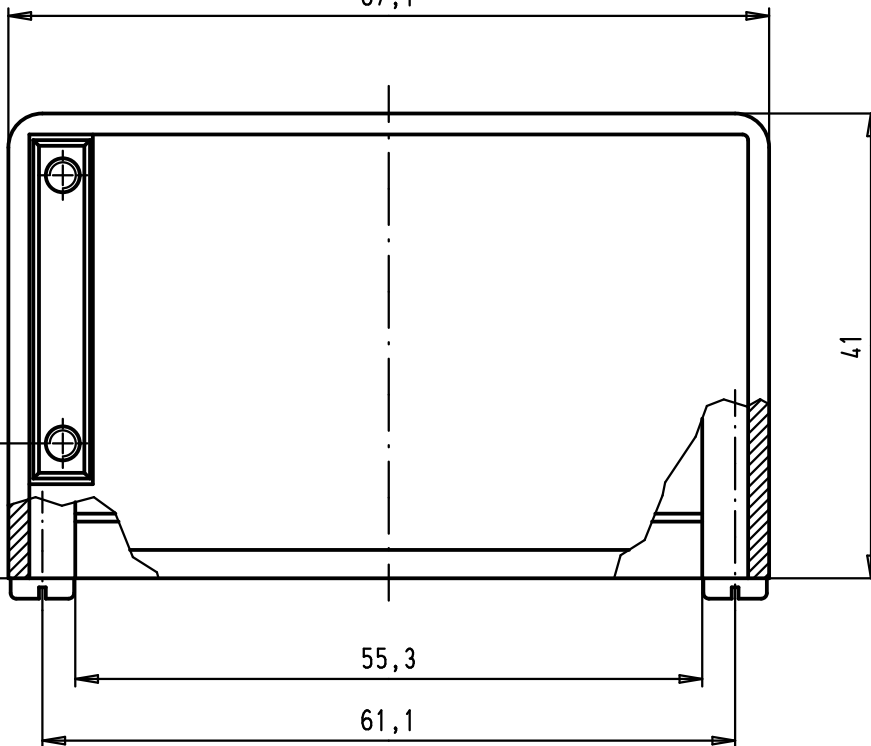
Slotted pan head tapping screws
DIN 7971-ST 2,9x6,5-F
screwing torque=35Ncm +/-5Ncm

4,3

67,1

Slotted pan head tapping screws
DIN 7971-ST 2,2 x 9,5-F
Maximum screwing torque= 0,25 mN

Min. 5,75
Max. 11,6



D

C

B

A

				Dat.	Name	<p>All Dim. in mm Orig. Size DIN A 4</p>
				Detail.	28/03/02 CV	
				Insp.	25-MAY-11 JMDV	
				Stand.		

D-Sub, hood 50 poles
for spring or slide
locking, side cable entry

Maßstab/
Scale
1,5:1

09 67 050 0513	Thermoplastic metallized
09 67 050 0511	Thermoplastic grey RAL 7032
Part number	Material

EC03223	25-MAY-11	SD
34886	26/02/08	PK
29760	28/03/02	CV
Mod.	Dat.	Name

HARTING EURL
F-95972 Paris



TB 09 67 050 051X
Sub.

Blatt/ Page
1 / 1