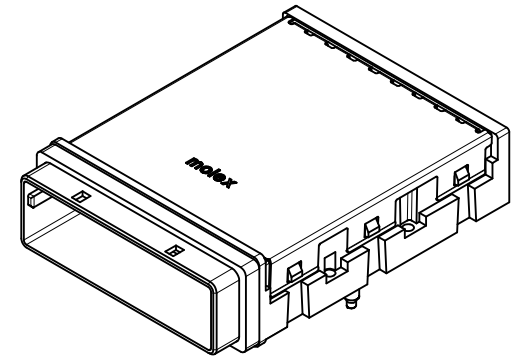
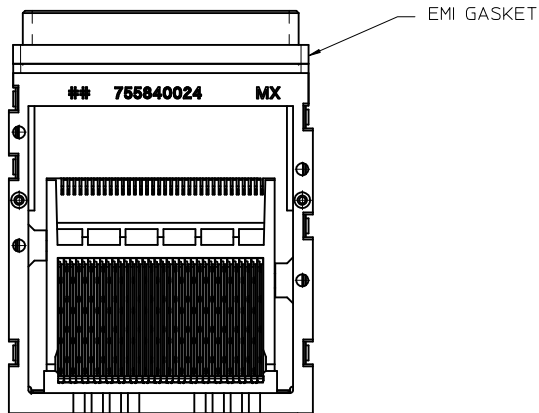
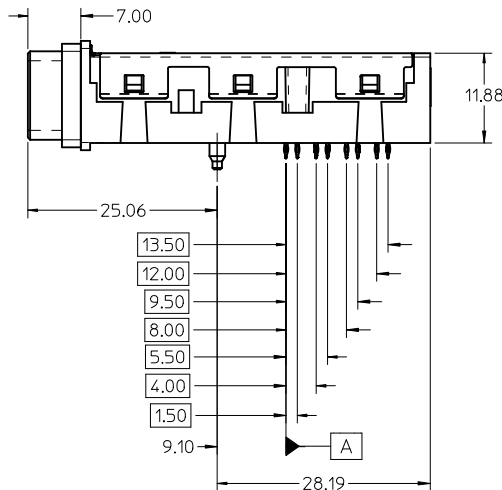
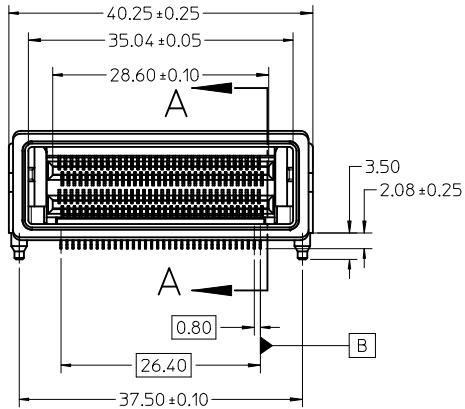


SECTION A-A



NOTES :

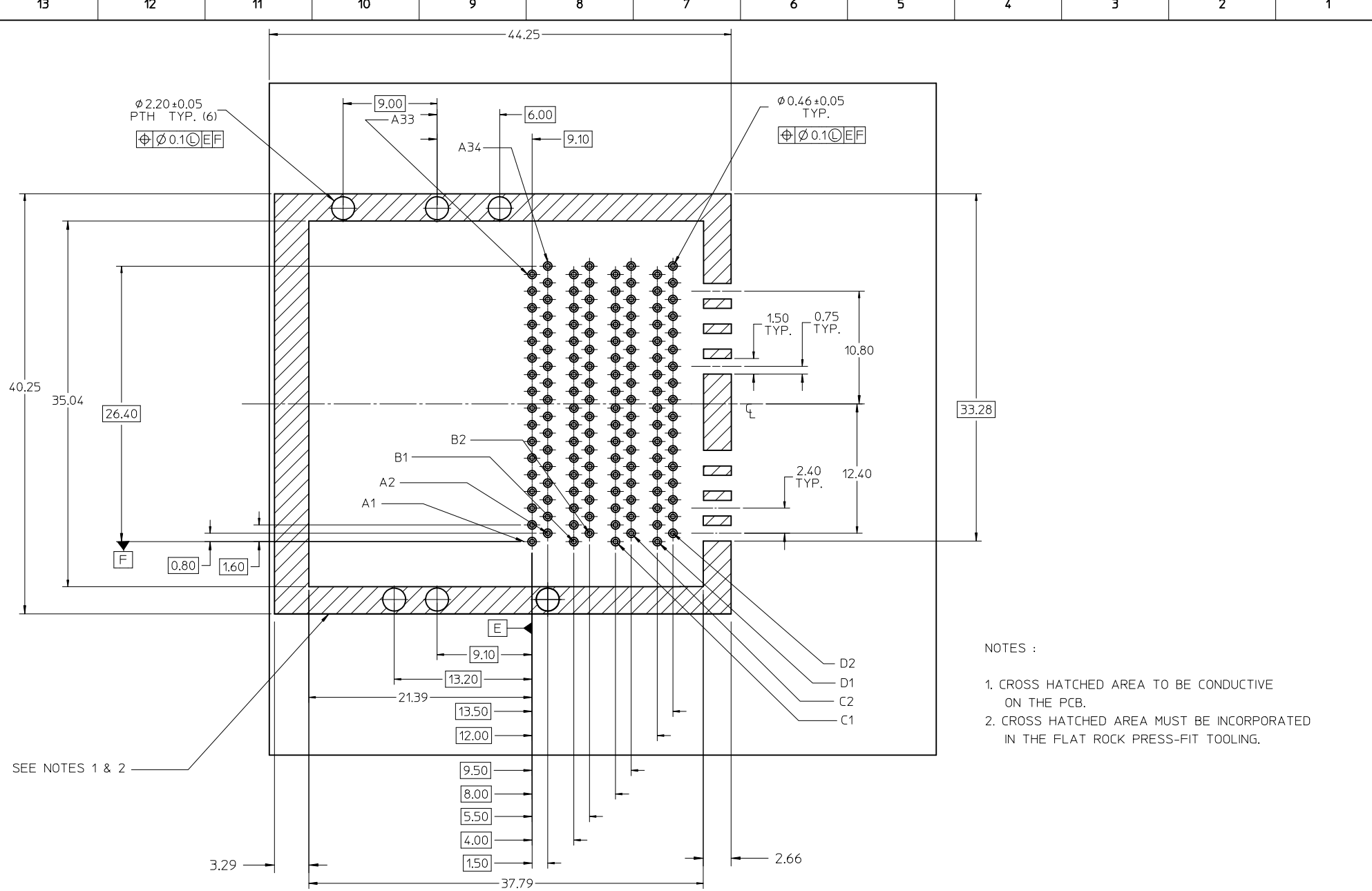
- MATERIALS :
CONNECTOR HOUSING - HIGH TEMP THERMOPLASTIC, GLASS FILLED, UL94V-0
EMI HOUSING - NICKEL PLATED DIE CAST ALLOY
COVER - STAINLESS STEEL ALLOY
EMI GASKET - CONDUCTIVE POLYMER
- PLATING OPTIONS :
(A) CONTACT AREA - 0.38 μm MIN GOLD OVER 2.54 μm MIN NICKEL
(B) CONTACT AREA - 0.76 μm MIN GOLD OVER 2.54 μm MIN NICKEL
(C) COMPLIANT TAIL AREA - 0.76 - 1.52 μm TIN/LEAD (90/10) OVER 1.27 μm MIN NICKEL.
(D) COMPLIANT TAIL AREA - 0.76 - 1.52 μm TIN (90/10) OVER 1.27 μm MIN NICKEL.
- PRODUCT SPECIFICATION : PS-75586-001
- THIS CONNECTOR IS DESIGNED TO MATE WITH MOLEX CABLE SERIES 74546.
- PACKAGING SPECIFICATION : TRAY PACK PER PK-75581-001
- MOUNTING HARDWARE REQ'D : M2x8mm CAP SCREWS (4)



PART NUMBER	CONTACT PLATING	COMPLIANT PLATING
75581-0001	A - 0.38 μm GOLD	C - 0.76-1.52 μm SnPb
75581-0002	B - 0.76 μm GOLD	C - 0.76-1.52 μm SnPb
75581-0008	A - 0.38 μm GOLD	D - 0.76-1.52 μm Sn
75581-0009	B - 0.76 μm GOLD	D - 0.76-1.52 μm Sn

±0.25 WAS ±0.13 EC NO: UCP2011-3307 DRW/KLANG 2011/04/26 CHKD: APPR: MBANAKIS 2011/07/06 H1	QUALITY SYMBOLS 	GENERAL TOLERANCES (UNLESS SPECIFIED)		DIMENSION STYLE MM ONLY		SCALE 2:1	DESIGN UNITS METRIC	THIRD ANGLE PROJECTION	
		4 PLACES ± --- ± --- 3 PLACES ± --- ± --- 2 PLACES ± 0.13 ± --- 1 PLACE ± 0.25 ± ---	mm INCH ± --- ± --- ± --- ± --- ± --- ± --- ± --- ± ---	DRAWN BY KREGNIER	DATE 10/21/04	TITLE 16X PCIE I-PASS CONNECTOR FAMILY 0.80 MM PITCH I/O			
		ANGULAR ± 1/2°		APPROVED BY RNELSON	DATE 10/28/04	MOLEX INCORPORATED			
		DRAFT WHERE APPLICABLE MUST REMAIN WITHIN DIMENSIONS		MATERIAL NO. SEE CHART		DOCUMENT NO. SD-75581-001	SHEET NO. 1 OF 3		

THIS DRAWING CONTAINS INFORMATION THAT IS PROPRIETARY TO MOLEX INCORPORATED AND SHOULD NOT BE USED WITHOUT WRITTEN PERMISSION



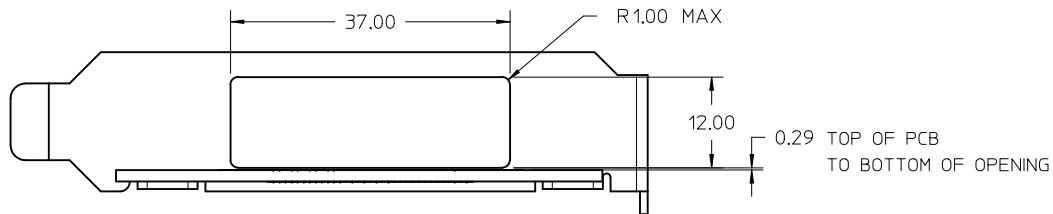
SEE NOTES 1 & 2

NOTES :

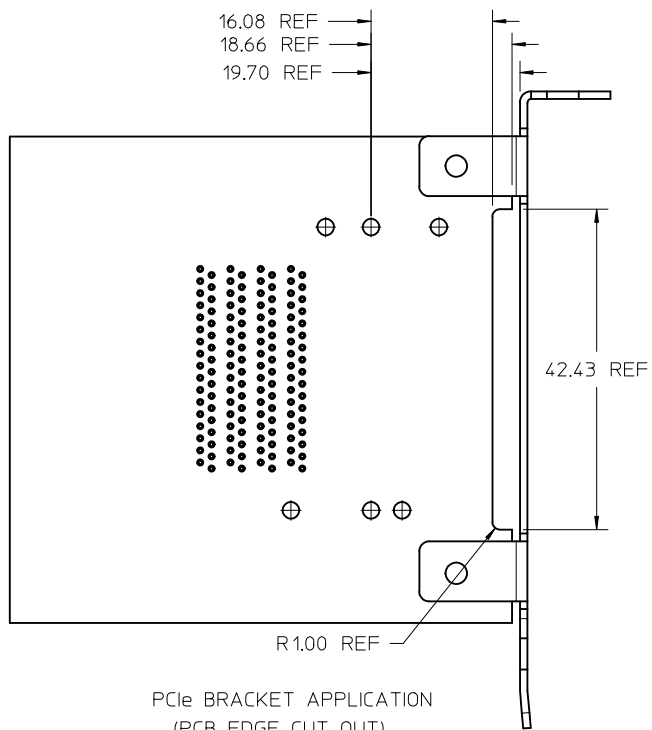
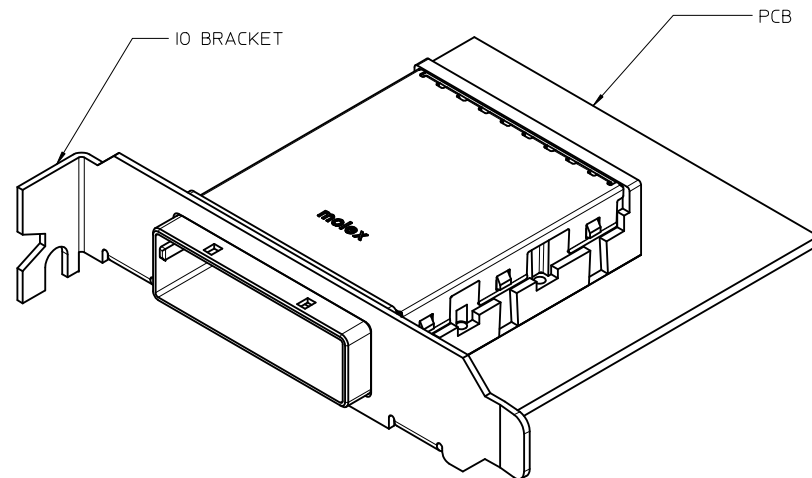
1. CROSS HATCHED AREA TO BE CONDUCTIVE ON THE PCB.
2. CROSS HATCHED AREA MUST BE INCORPORATED IN THE FLAT ROCK PRESS-FIT TOOLING.

RECOMMENDED PCB LAYOUT : COMPONENT SIDE SHOWN
 PCB THICKNESS : 1.35mm MIN.

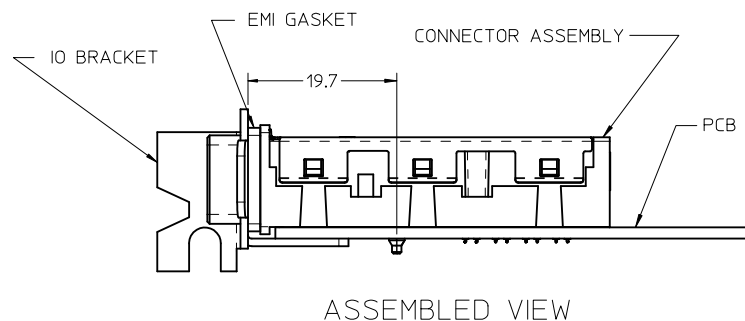
SEE SHEET 1 EC NO: UCP2011-33007 DRW/KLNG 2011/04/26 CHKD: APPR:MBANAKIS 2011/07/06 REV:	QUALITY SYMBOLS $\nabla=0$ $\nabla=0$	GENERAL TOLERANCES (UNLESS SPECIFIED) <table border="1"> <thead> <tr> <th></th> <th>mm</th> <th>INCH</th> </tr> </thead> <tbody> <tr> <td>4 PLACES</td> <td>± ---</td> <td>± ---</td> </tr> <tr> <td>3 PLACES</td> <td>± ---</td> <td>± ---</td> </tr> <tr> <td>2 PLACES</td> <td>± 0.13</td> <td>± ---</td> </tr> <tr> <td>1 PLACE</td> <td>± 0.25</td> <td>± ---</td> </tr> </tbody> </table>		mm	INCH	4 PLACES	± ---	± ---	3 PLACES	± ---	± ---	2 PLACES	± 0.13	± ---	1 PLACE	± 0.25	± ---	DIMENSION STYLE MM ONLY	SCALE 4:1	DESIGN UNITS METRIC	THIRD ANGLE PROJECTION
		mm	INCH																		
	4 PLACES	± ---	± ---																		
	3 PLACES	± ---	± ---																		
2 PLACES	± 0.13	± ---																			
1 PLACE	± 0.25	± ---																			
DRAFT WHERE APPLICABLE MUST REMAIN WITHIN DIMENSIONS	MATERIAL NO. SEE CHART	DRAWN BY KREGNIER	DATE 10/21/04	TITLE 16X PCIe I-PASS CONNECTOR FAMILY 0.80 MM PITCH I/O	MOLEX INCORPORATED	SHEET NO. 2 OF 3															
SIZE C	THIS DRAWING CONTAINS INFORMATION THAT IS PROPRIETARY TO MOLEX INCORPORATED AND SHOULD NOT BE USED WITHOUT WRITTEN PERMISSION	APPROVED BY RNELSON	DATE 10/28/04	DOCUMENT NO. SD-75581-001	MOLEX INCORPORATED																



IO BRACKET CUT-OUT
(NOT SUPPLIED)



PCIe BRACKET APPLICATION
(PCB EDGE CUT OUT)



ASSEMBLED VIEW

SEE SHEET 1 EC NO: UCP2011-3307 DRWN:KLANG 2011/04/26 CHKD: APPR:MBANAKIS 2011/07/06	QUALITY SYMBOLS ▽=0 ▽=0	GENERAL TOLERANCES (UNLESS SPECIFIED)		DIMENSION STYLE MM ONLY	SCALE 2:1	DESIGN UNITS METRIC	THIRD ANGLE PROJECTION	
		4 PLACES ± --- ± ---	3 PLACES ± --- ± ---	DRAWN BY KREGNIER	DATE 10/21/04	TITLE 16X PCIe I-PASS CONNECTOR FAMILY 0.80 MM PITCH I/O		
H1	DESCRIPTION	2 PLACES ± 0.13 ± ---	1 PLACE ± 0.25 ± ---	CHECKED BY	DATE	MOLEX MOLEX INCORPORATED		
		ANGULAR ± 1/2°		APPROVED BY RNELSON	DATE 10/28/04	DOCUMENT NO. SD-75581-001	SHEET NO. 3 OF 3	
DRAFT WHERE APPLICABLE MUST REMAIN WITHIN DIMENSIONS		SIZE		THIS DRAWING CONTAINS INFORMATION THAT IS PROPRIETARY TO MOLEX INCORPORATED AND SHOULD NOT BE USED WITHOUT WRITTEN PERMISSION				