

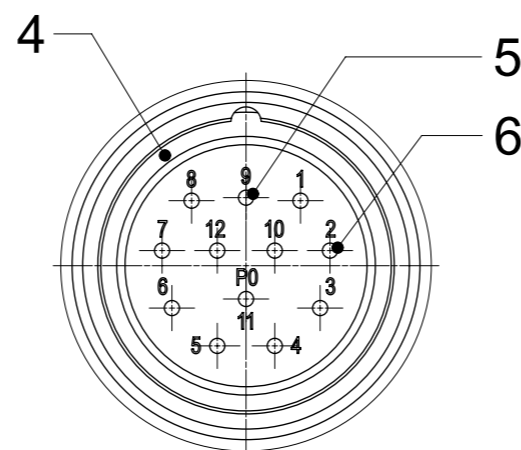
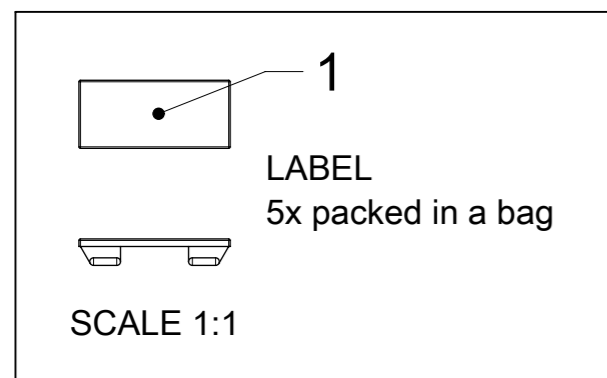
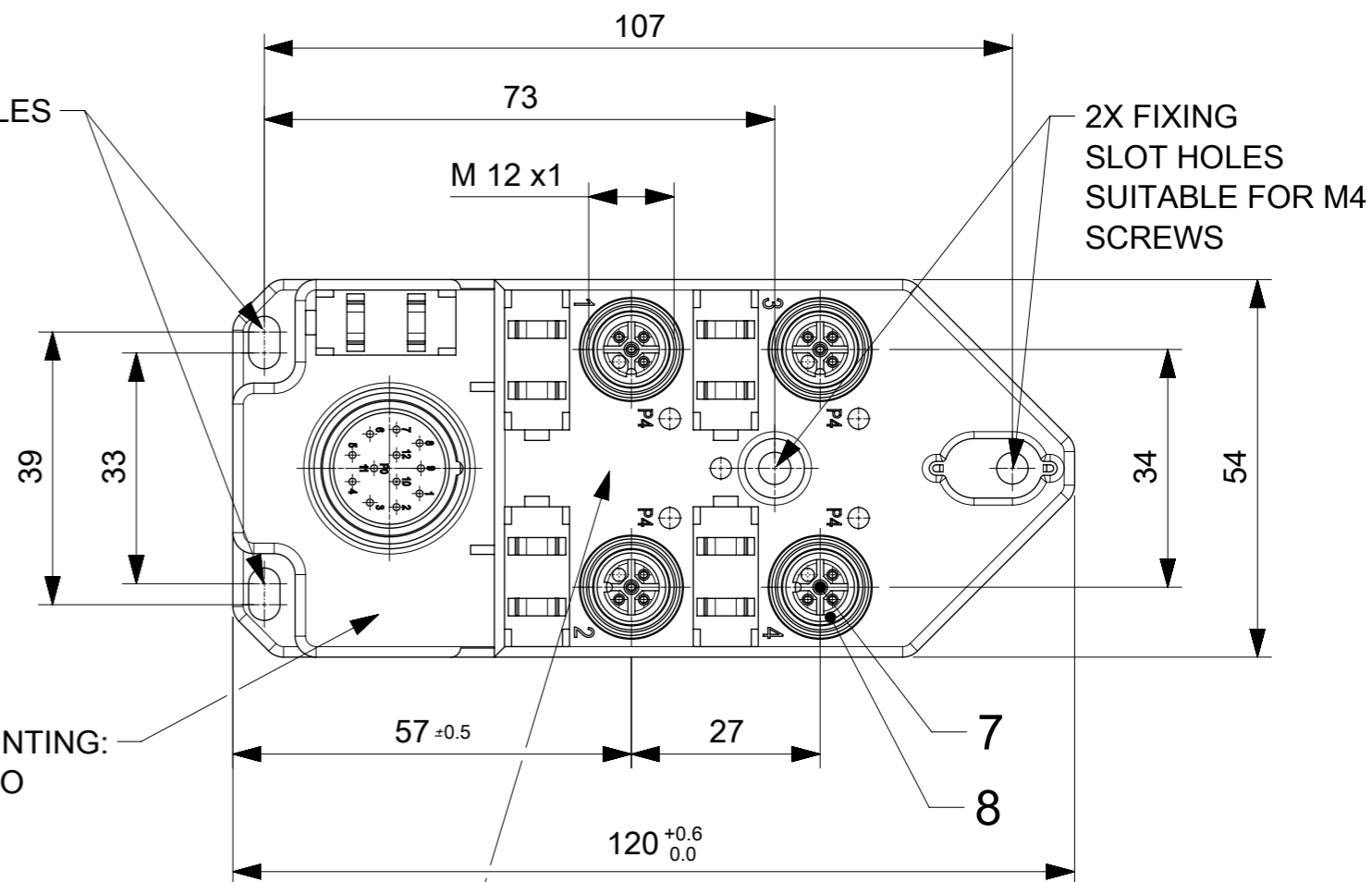
**TABLE 1**

MOLEX P/N	ENG. NO.	LED
1202480055	BTB4010-FBC	NO
1202480056	BTB401P-FBC	YES
1202480132	BTB401N-FBC	YES

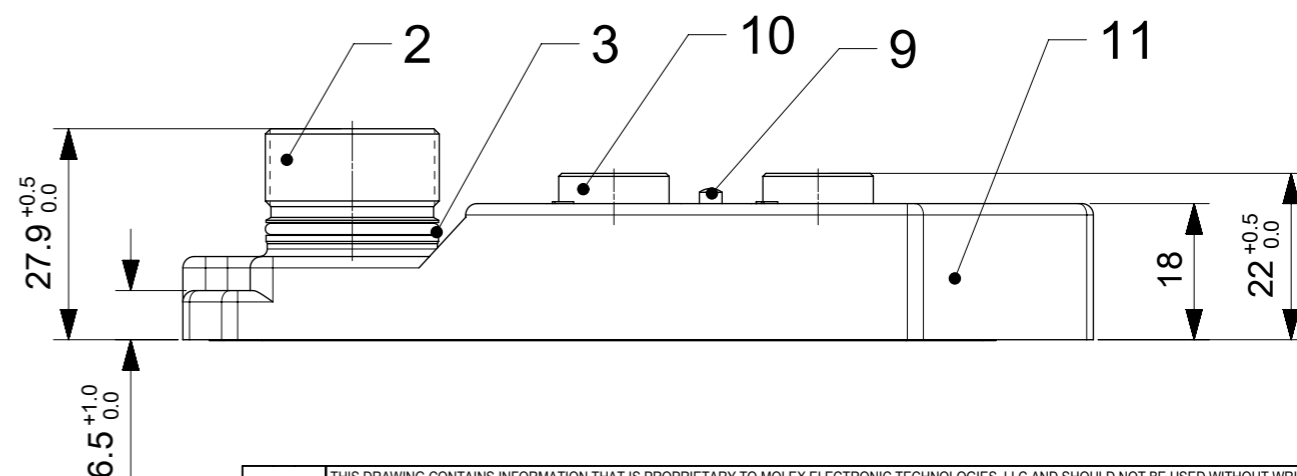
**TABLE 2 BILL OF MATERIAL**

ITEM	DESCRIPTION	MATERIAL	FINISH
1	LABEL	ABS	WHITE
2	SHELL	BRASS	NICKEL PLATED
3	O-RING	NBR	BLACK
4	O-RING	NBR	BLACK
5	CONTACT	BRASS	GOLD OVER NICKEL
6	CONTACT	BRASS	GOLD OVER NICKEL
7	CONTACT	BRONZE	GOLD OVER NICKEL
8	O-RING	FPM	RED
9	LED	NO LED = PA	BLACK
		WITH LED = PA	TRANSPARENT
10	SHELL	BRASS	NICKEL PLATED
11	HOUSING	PBT	BLACK

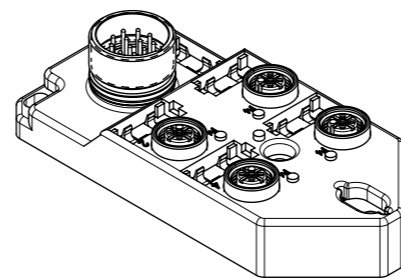
2X FIXING SLOT HOLES  
SUITABLE FOR M4  
SCREWS



SCALE  
2:1



SCALE  
1:2



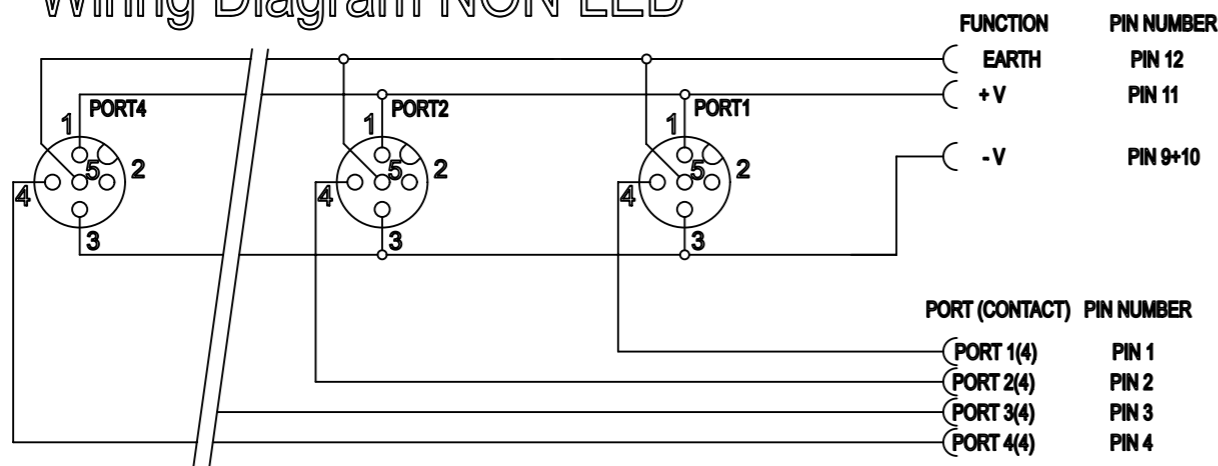
**GENERAL CHARACTERISTICS:**

ELECTRICAL AND MECHANICAL DATA ACC. TO IEC 61076-2-101

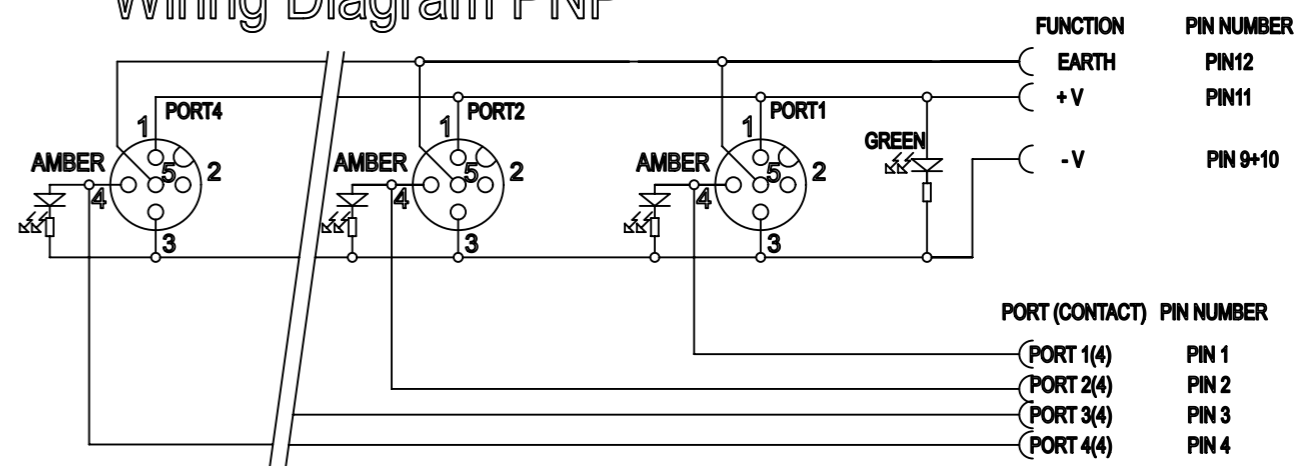
NOMINAL VOLTAGE: 10-30 V DC  
 AMPERE RATING: 4 A PER PORT / 12 A MAX  
 AMPERE RATING WITH UL REGISTRATION: 3 A PER PORT / 9 A MAX  
 IP DEGREE OF PROTECTION: IP 67  
 TEMPERATURE RANGE: -25°C to + 85°C

SYMBOLS		THIS DRAWING CONTAINS INFORMATION THAT IS PROPRIETARY TO MOLEX ELECTRONIC TECHNOLOGIES, LLC AND SHOULD NOT BE USED WITHOUT WRITTEN PERMISSION	
DIMENSION UNITS	SCALE	CURRENT REV DESC: LASER PRINT UPDATE	
▽ = 0	mm	EC NO: 606042 DRWN: SSM 2018/08/30 CHK'D: RSILLER 2018/10/18 APPR: RSILLER 2018/10/18 INITIAL REVISION: DRWN: AAHLERS 2015/04/02 APPR: RSILLER 2015/05/20	
▽ = 0	GENERAL TOLERANCES (UNLESS SPECIFIED)		
▽ = 0	ANGULAR TOL ± °		
▽ = 0	4 PLACES ±		
▽ = 0	3 PLACES ±	PRODUCT CUSTOMER DRAWING DOCUMENT NUMBER: 1202480055 DOC TYPE: PSD DOC PART: 000 REVISION: B	
▽ = 0	2 PLACES ±		
▽ = 0	1 PLACE ±	MATERIAL NUMBER: SEE TABLE 1 CUSTOMER: GENERAL MARKET SHEET NUMBER: 1 OF 2	
▽ = 0	0 PLACES ± 0.25		
□ = 0	DRAFT WHERE APPLICABLE MUST REMAIN WITHIN DIMENSIONS	THIRD ANGLE PROJECTION	DRAWING: A3-SIZE
▽ = 0		SERIES: 120248	

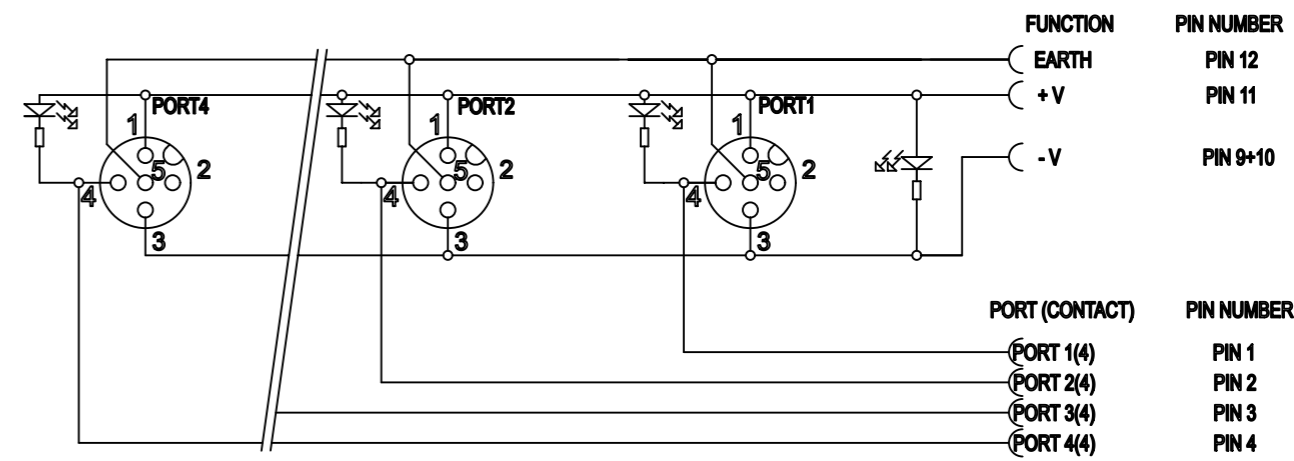
### Wiring Diagram NON LED



### Wiring Diagram PNP



### WIRING DIAGRAM NPN



<b>SYMBOLS</b> DIMENSION UNITS: mm SCALE: 1:1 GENERAL TOLERANCES (UNLESS SPECIFIED): ANGULAR TOL ± ° 4 PLACES ± 3 PLACES ± 2 PLACES ± 1 PLACE ± 0 PLACES ± 0.25 DRAFT WHERE APPLICABLE MUST REMAIN WITHIN DIMENSIONS THIRD ANGLE PROJECTION	THIS DRAWING CONTAINS INFORMATION THAT IS PROPRIETARY TO MOLEX ELECTRONIC TECHNOLOGIES, LLC AND SHOULD NOT BE USED WITHOUT WRITTEN PERMISSION CURRENT REV DESC: LASER PRINT UPDATE				
	EC NO: 606042 DRWN: SSM 2018/08/30 CHK'D: RSILLER 2018/10/18 APPR: RSILLER 2018/10/18				
	INITIAL REVISION: DRWN: AAHLERS 2015/04/02 APPR: RSILLER 2015/05/20		PRODUCT CUSTOMER DRAWING		
	DOCUMENT NUMBER: 1202480055 DOC TYPE: PSD DOC PART: 000 REVISION: B		SHEET NUMBER: 2 OF 2		