

# KMA220

## Dual channel programmable angle sensor

Rev. 2 — 9 April 2013

Product data sheet

## 1. Product profile

---

### 1.1 General description

The KMA220 is a dual channel magnetic angle sensor module. The MagnetoResistive (MR) sensor bridges, the mixed signal Integrated Circuits (ICs) and the required capacitors are integrated into a single package. Both integrated channels are working full independently. The supply voltage has common terminals. Further explanations are referring to a single channel of the KMA220.

This angular measurement module KMA220 is pre-programmed, pre-calibrated and therefore, ready to use.

The KMA220 allows user-specific adjustments of angular range, zero angle and clamping voltages for each channel separately. The settings are stored permanently in a non-volatile memory.

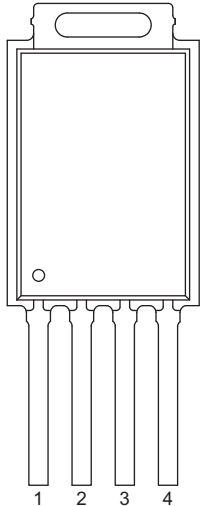
### 1.2 Features and benefits

- High precision sensor for magnetic angular measurement
- Single package dual channel sensor module with integrated filters for improved ElectroMagnetic Compatibility (EMC)
- Automotive qualified in accordance with AEC-Q100 Rev-G
- Programmable user adjustments, including zero angle and angular range
- Fail-safe non-volatile memory with write protection using lock bit
- Independent from magnetic field strength above 35 kA/m
- Ready to use without external components
- One common supply line
- High temperature range up to 160 °C
- Dual electric independent sensor channels with analog ratiometric output voltages
- Overvoltage protection up to 16 V
- Independent programming via separated One-Wire Interfaces (OWI)
- Each channel includes user-programmable 32-bit identifier
- Magnet-loss and power-loss detection
- Factory calibrated



## 2. Pinning information

Table 1. Pinning

Pin	Symbol	Description	Simplified outline
1	OUT1/DATA1	analog output 1 or data interface 1	
2	GND	ground	
3	V <sub>DD</sub>	supply voltage	
4	OUT2/DATA2	analog output 2 or data interface 2	

## 3. Ordering information

Table 2. Ordering information

Type number	Package		
	Name	Description	Version
KMA220	SIL4	plastic, single in-line package	SOT1188-1

### 4. Functional diagram

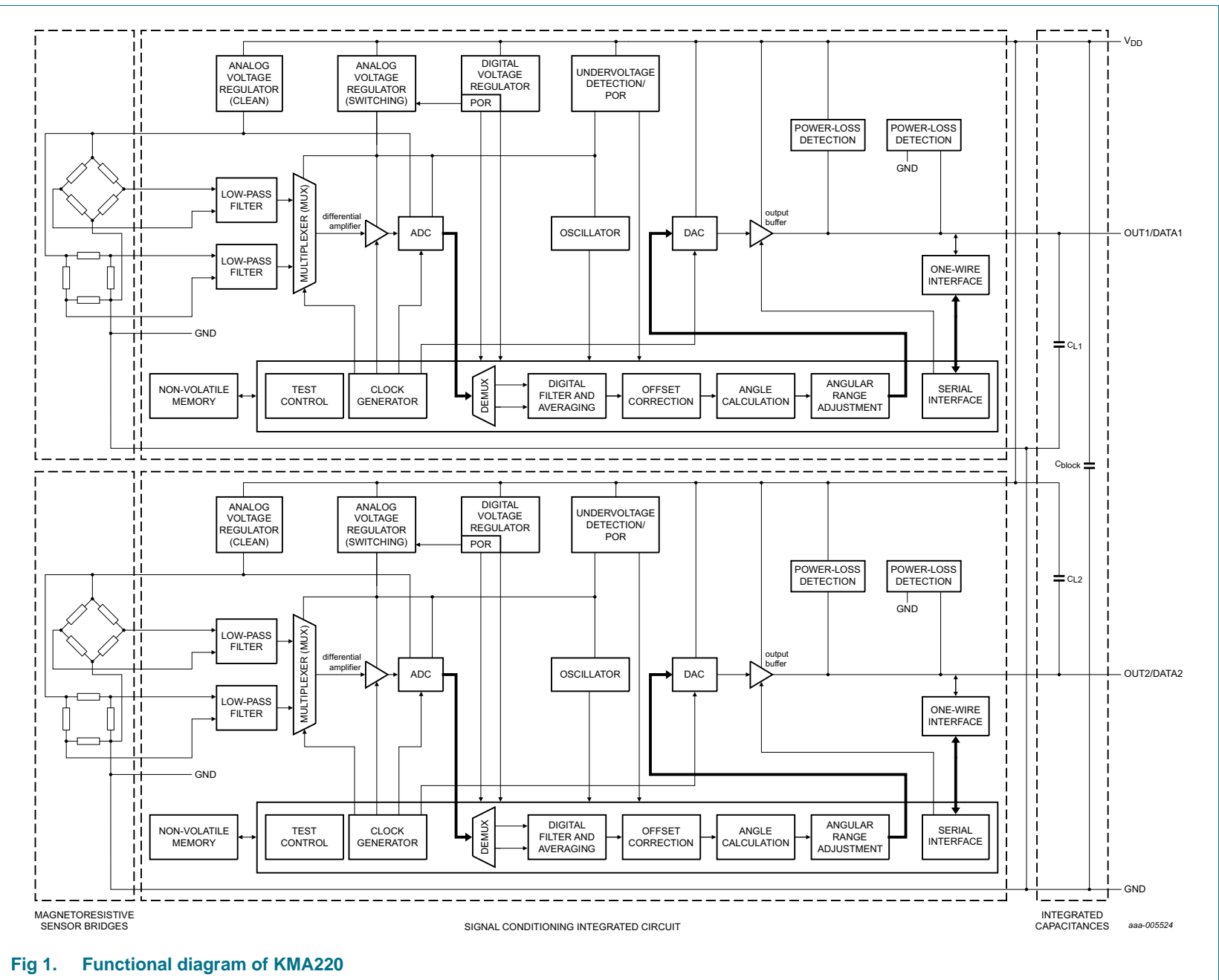


Fig 1. Functional diagram of KMA220

## 5. Functional description

Each channel of the KMA220 amplifies two orthogonal differential signals from MR sensor bridges and converts them into the digital domain. The angle is calculated using the COordinate Rotation DIgital Computer (CORDIC) algorithm. After a digital-to-analog conversion, the analog signal is provided to the output as a linear representation of the angular value. Zero angle, clamping voltages and angular range are programmable. In addition, two 16-bit registers are available for customer purposes, such as sample identification.

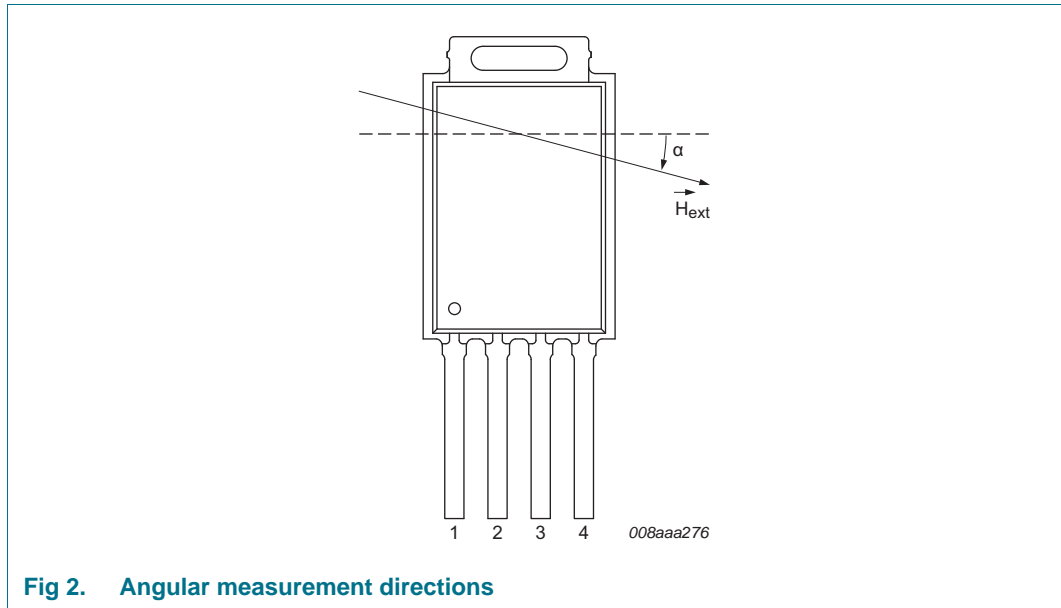
Each channel of the KMA220 comprises a Cyclic Redundancy Check (CRC) and an Error Detection and Correction (EDC), as well as magnet-loss to ensure a fail-safe operation. If either the supply voltage or the ground line of the mixed signal IC is interrupted, a power-loss detection circuit pulls the analog output to the remaining connection.

After multiplexing the two MR Wheatstone bridge signals and their successive amplification, the signal is converted into the digital domain by an Analog-to-Digital Converter (ADC). Further processing is done within an on-chip state machine. This state machine controls offset cancelation, calculation of the mechanical angle using the CORDIC algorithm, as well as zero angle and angular range adjustment. The internal Digital-to-Analog Converter (DAC) and the analog output stage are used for conversion of the angle information into an analog output voltage, which is ratiometric to the supply voltage.

The configuration parameters of each channel are stored independently in a user-programmable non-volatile memory. The OWI (accessible using pin OUTn/DATAn) is used for accessing the memory. In order to protect the memory content a lock bit can be set. After locking the non-volatile memory, its content cannot be changed anymore.

### 5.1 Angular measurement directions

The differential signals of the MR sensor bridges depend only on the direction of the external magnetic field strength  $H_{\text{ext}}$ , which is applied parallel to the plane of the sensor. In order to obtain a correct output signal, exceed the minimum saturation field strength.



**Fig 2. Angular measurement directions**

Since the Anisotropic MR (AMR) effect is periodic over 180°, the sensor output is also 180°-periodic. The angle is calculated relative to a freely programmable zero angle. The dashed line indicates the mechanical zero degree position.

## 6. Analog output

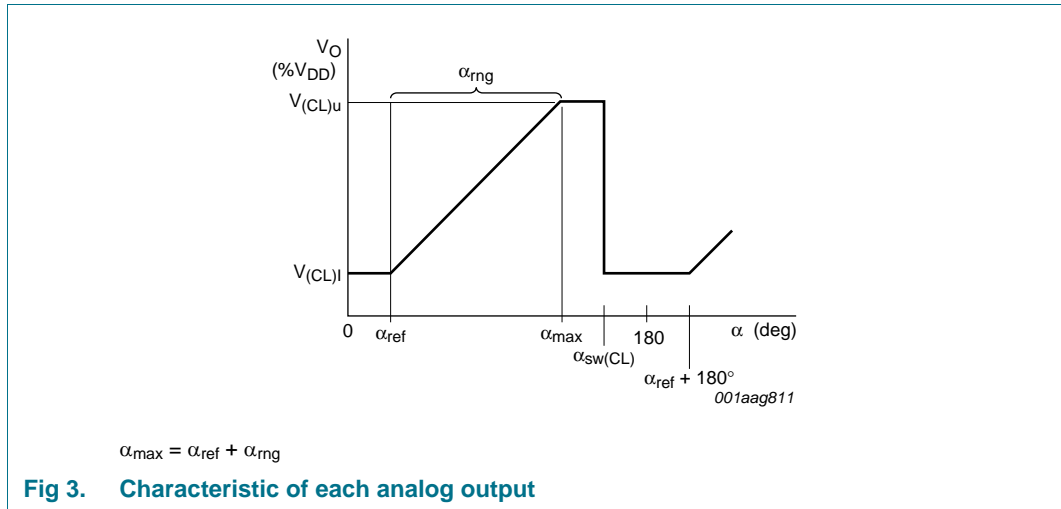
The KMA220 provides two analog output signals on pin OUT1/DATA1 and on pin OUT2/DATA2. The measured angle  $\alpha$  is converted linearly into a value, which is ratiometric to the supply voltage  $V_{DD}$ . Either a positive or a negative slope can be programmed independently for each pin by the customer for this purpose.

[Table 3](#) describes the analog output behavior for a positive slope. If for example, a magnetic field angle, above the programmed maximum angle  $\alpha_{max}$ , but below the clamp switch angle  $\alpha_{sw(CL)}$  is applied to the sensor, then analog output is set to the upper clamping voltage. If the magnetic field angle is larger than the clamp switch angle, the analog output switches from upper to lower clamping voltage. If there is a negative slope, the clamping voltages are changed.

**Table 3. Analog output behavior for a positive slope**

Magnetic field angle	Analog output
$\alpha_{max} < \alpha < \alpha_{sw(CL)}$	$V_{(CL)u}$
$\alpha_{sw(CL)} < \alpha < \alpha_{ref} + 180^\circ$	$V_{(CL)l}$

The analog output voltage range encodes both angular and diagnostic information. A valid angle value is between the upper and lower clamping voltage. If the analog output is in the diagnostic range, that is below 4 % $V_{DD}$  or above 96 % $V_{DD}$ , an error condition has been detected. The analog output repeats every 180°.



## 7. Diagnostic features

Each channel provides several diagnostic features:

### 7.1 CRC and EDC supervision

Each channel of the KMA220 includes a supervision of the programmed data. At power-on, a CRC of the non-volatile memory is performed. Furthermore the memory is protected against bit errors. Every 16-bit data word is saved internally as a 22-bit word for this purpose. The protection logic corrects any single-bit error in a data word, while the sensor continues in normal operation mode. Furthermore the logic detects double-bit error per word and switches the output into diagnostic mode.

### 7.2 Magnet-loss detection

If the applied magnetic field strength is not sufficient, each channel of the KMA220 can raise a diagnostic condition. In order to enter the diagnostic mode, due to magnet-loss, enable the detection first. Both channels can be programmed independently into active diagnostic mode, where the output is driven below 4 %V<sub>DD</sub> or above 96 %V<sub>DD</sub>.

### 7.3 Power-loss detection

The power-loss detection circuit enables the detection of an interrupted supply or ground line of the mixed signal IC. If there is a power-loss condition, two internal switches in the sensor are closed, connecting the pin of the analog output to the supply voltage and the ground pins.

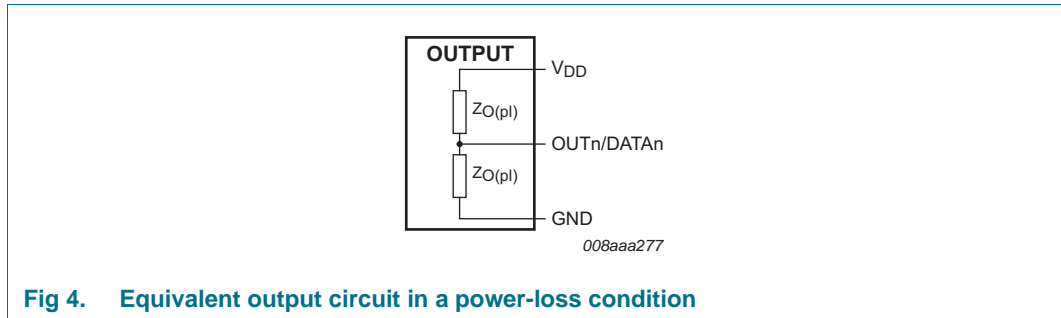


Fig 4. Equivalent output circuit in a power-loss condition

Table 4 describes the power-loss behavior and gives the resulting output voltage depending on the interrupted supply or ground line and the load resistance.

Table 4. Power-loss behavior

Load resistance	Interrupted supply line	Interrupted ground line
$R_{L(ext)} > 5 \text{ k}\Omega$	$V_O \leq 4 \%V_{DD}$	$V_O \geq 96 \%V_{DD}$

### 7.4 Low supply voltage detection and overvoltage protection

If the supply voltage is below the switch-off threshold voltage, a status bit is set in each signal conditioning integrated circuit and both channels go into diagnostic mode. If the supply voltage is above the overvoltage switch-on threshold voltage, both channel enter diagnostic mode. Table 5 describes the system behavior depending on the voltage range of the supply voltage.

Table 5. System behavior for each output

Supply voltage	State	Description
0 V to $\cong 1.8 \text{ V}$	start-up power	The output buffer drives an active LOW or is powered down, but the switches of the power-loss detection circuit are not fully opened and set the output to a level between ground and half the supply voltage.
$\cong 1.8 \text{ V}$ to $V_{POR}$	power-on reset	The power-loss charge pump is fully operational and turns the switches of the detection circuit off. The output buffer drives an active LOW and sets the output to the lower diagnostic level. During the reset phase, all circuits are in reset and/or Power-down mode.
$V_{POR}$ to $V_{th(on)}$ or $V_{th(off)}$	initialization	The digital core and the oscillator are active. After reset, the content of the non-volatile memory is copied into the shadow registers. The output buffer drives an active LOW and sets the output to the lower diagnostic level.
$V_{th(on)}$ or $V_{th(off)}$ to minimum $V_{DD}$	functional operation	All analog circuits are active and the measured angle is available at the analog output. Not all parameters are within the specified limits.
Minimum $V_{DD}$ to maximum $V_{DD}$	normal operation	All analog circuits are active and the measured angle is available at the analog output. All parameters are within the specified limits.
Maximum $V_{DD}$ to $V_{th(ov)}$	functional operation	All analog circuits are active and the measured angle is available at the analog output. Not all parameters are within the specified limits.
$V_{th(ov)}$ to 16 V	overvoltage	Both digital cores and oscillators are active but all other circuits are in Power-down mode. The outputs are set to the lower diagnostic level.

[Table 6](#) describes the diagnostic behavior and the resulting output voltage depending on the error case. Furthermore the duration and termination condition to enter and leave the diagnostic mode are given, respectively.

**Table 6. Diagnostic behavior**

Diagnostic condition	Duration	Analog output	Termination condition
Low voltage	$1 \mu\text{s} < t < 10 \mu\text{s}$	$\leq 4 \%V_{\text{DD}}$	functional or normal operation
Overvoltage	$1 \mu\text{s} < t < 10 \mu\text{s}$	$\leq 4 \%V_{\text{DD}}$	functional or normal operation
Checksum error	n/a	$\leq 4 \%V_{\text{DD}}$ or $\geq 96 \%V_{\text{DD}}$ <sup>[2]</sup>	power-on reset <sup>[1]</sup>
Double-bit error	n/a	$\leq 4 \%V_{\text{DD}}$ or $\geq 96 \%V_{\text{DD}}$ <sup>[2]</sup>	power-on reset <sup>[1]</sup>
Magnet-loss	$0.5 \text{ ms} < t < 6 \text{ ms}$	$\leq 4 \%V_{\text{DD}}$ or $\geq 96 \%V_{\text{DD}}$ <sup>[2]</sup>	magnet present <sup>[1]</sup>
Power-loss	$\leq 2 \text{ ms}$	$\leq 4 \%V_{\text{DD}}$ or $\geq 96 \%V_{\text{DD}}$ <sup>[2]</sup>	power-on reset

[1] Status bit stays set in command register until power-on reset.

[2] Depending on the diagnostic level setting.

## 8. Limiting values

**Table 7. Limiting values**

*In accordance with the Absolute Maximum Rating System (IEC 60134).*

Symbol	Parameter	Conditions	Min	Max	Unit
$V_{\text{DD}}$	supply voltage		-0.3	+16	V
$V_{\text{O}}$	output voltage		-0.3	+16	V
$V_{\text{O(ov)}}$	overvoltage output voltage	$T_{\text{amb}} < 140 \text{ }^\circ\text{C}$ at $t < 1 \text{ h}$ <sup>[1]</sup>	$V_{\text{th(ov)}}$	16	V
$I_{\text{r}}$	reverse current	$T_{\text{amb}} < 70 \text{ }^\circ\text{C}$	-	150	mA
$T_{\text{amb}}$	ambient temperature		-40	+160	$^\circ\text{C}$
$T_{\text{amb(pr)}}$	programming ambient temperature		10	70	$^\circ\text{C}$
$T_{\text{stg}}$	storage temperature		-40	+125	$^\circ\text{C}$
<b>Non-volatile memory</b>					
$t_{\text{ret(D)}}$	data retention time	$T_{\text{amb}} = 50 \text{ }^\circ\text{C}$	17	-	year
$N_{\text{endu(W_ER)}}$	write or erase endurance	$T_{\text{amb(pr)}} = 70 \text{ }^\circ\text{C}$	100	-	cycle

[1] Overvoltage on analog output and supply within the specified operating voltage range.



## 9. Recommended operating conditions

**Table 8. Operating conditions**

*In a homogenous magnetic field.*

Symbol	Parameter	Conditions	Min	Typ	Max	Unit
V <sub>DD</sub>	supply voltage	[1]	4.5	5.0	5.5	V
T <sub>amb</sub>	ambient temperature		-40	-	+160	°C
T <sub>amb(pr)</sub>	programming ambient temperature		10	-	70	°C
C <sub>L(ext)</sub>	external load capacitance	[1][2]	0	-	22	nF
		[2][3]	0	-	6.8	nF
R <sub>L(ext)</sub>	external load resistance	[4]	5	-	∞	kΩ
H <sub>ext</sub>	external magnetic field strength		35	-	-	kA/m

[1] Normal operation mode.

[2] Between ground and analog outputs.

[3] Command mode.

[4] Power-loss detection is only possible with a load resistance within the specified range connected to the supply or ground line.

## 10. Thermal characteristics

**Table 9. Thermal characteristics**

Symbol	Parameter	Conditions	Typ	Unit
R <sub>th(j-a)</sub>	thermal resistance from junction to ambient		100	K/W

## 11. Characteristics

**Table 10. Mechanical characteristics**

Symbol	Parameter	Conditions	Min	Typ	Max	Unit
F <sub>lead</sub>	mechanical force to the leads	T <sub>amb</sub> = 25 °C	-	-	10	N
F <sub>fin</sub>	mechanical force to the fin holder	T <sub>amb</sub> = 25 °C	-	-	15	N

**Table 11. Supply current**

*Characteristics are valid for the operating conditions, as specified in [Section 9](#).*

Symbol	Parameter	Conditions	Min	Typ	Max	Unit
I <sub>DD</sub>	supply current	[1][2]	10	-	21	mA
		[3][4]	-	-	26	mA
I <sub>off(ov)</sub>	overvoltage switch-off current	[5]	-	-	12	mA

[1] Normal operation and diagnostic mode excluding overvoltage and undervoltage within the specified operating supply voltage range.

[2] Without load current at the analog output.

[3] Normal operation and diagnostic mode over full voltage range up to limiting supply voltage at steady state.

[4] With minimum load resistance at the analog outputs.

[5] Diagnostic mode for a supply voltage above the overvoltage threshold voltage up to the limiting supply voltage.

**Table 12. Power-on reset**

Characteristics are valid for the operating conditions, as specified in [Section 9](#).

Symbol	Parameter	Conditions	Min	Typ	Max	Unit
$V_{th(on)}$	switch-on threshold voltage	analog output switches on, if $V_{DD} > V_{th(on)}$	-	4.30	4.45	V
$V_{th(off)}$	switch-off threshold voltage	analog output switches off, if $V_{DD} < V_{th(off)}$	3.90	4.10	-	V
$V_{hys}$	hysteresis voltage	$V_{hys} = V_{th(on)} - V_{th(off)}$	0.1	0.2	-	V
$V_{POR}$	power-on reset voltage	IC is initialized	-	3.3	3.6	V
$V_{th(ov)}$	overvoltage threshold voltage	analog output switches off, if $V_{DD} > V_{th(ov)}$	6.5	7.5	8.0	V
$V_{hys(ov)}$	overvoltage hysteresis voltage		0.1	0.3	-	V

**Table 13. Module performance**

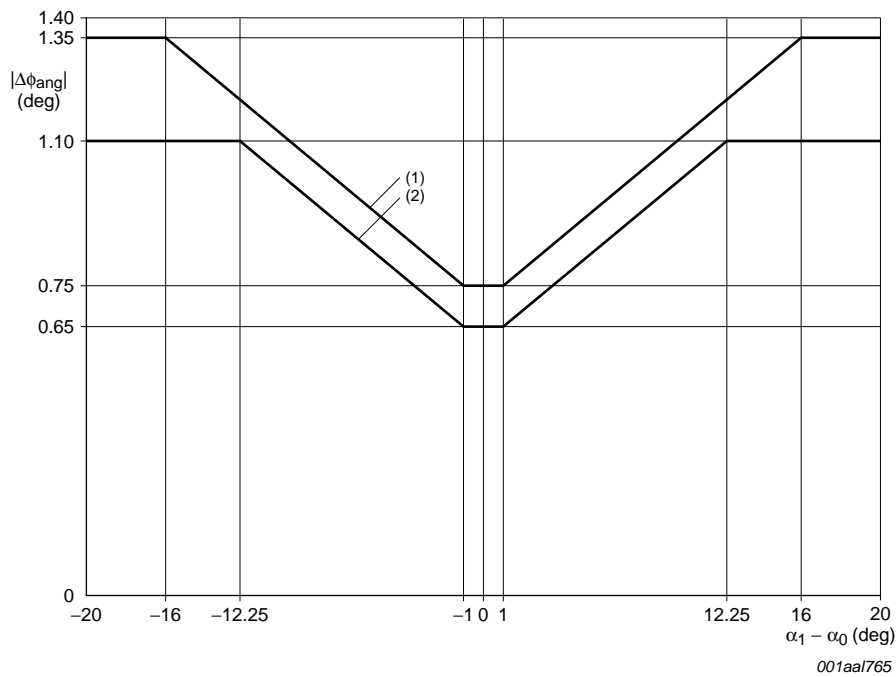
Characteristics are valid for the operating conditions, as specified in [Section 9](#).

Symbol	Parameter	Conditions	Min	Typ	Max	Unit
$\alpha_{res}$	angle resolution		[1] -	-	0.04	deg
$\alpha_{max}$	maximum angle	programmable angular range for $V_{(CL)u} - V_{(CL)l} \geq 80 \%V_{DD}$	[2] 5	-	180	deg
$\alpha_{ref}$	reference angle	programmable zero angle	[2] 0	-	180	deg
$V_{O(nom)}$	nominal output voltage	at full supply operating range	5	-	95	$\%V_{DD}$
$V_{O(udr)}$	upper diagnostic range output voltage		[3][4][5] 96	-	100	$\%V_{DD}$
$V_{O(ldr)}$	lower diagnostic range output voltage		[3][4][5] 0	-	4	$\%V_{DD}$
$V_{(CL)u}$	upper clamping voltage		[4][5][6] 40	-	95	$\%V_{DD}$
$V_{(CL)l}$	lower clamping voltage		[4][5][6] 5	-	30.5	$\%V_{DD}$
$\Delta V_{(CL)}$	clamping voltage variation	deviation from programmed value	[4][5] -0.3	-	+0.3	$\%V_{DD}$
$V_{n(o)(RMS)}$	RMS output noise voltage	equivalent power noise	[1][4] -	0.4	2.5	mV
$\Delta\phi_{lin}$	linearity error	temperature range -40 °C to +160 °C	[4][7][8] -1.2	-	+1.2	deg
		temperature range -40 °C to +140 °C	[4][7][8] -1	-	+1	deg
$\Delta\phi_{temp}$	temperature drift error	temperature range -40 °C to +160 °C	[1][4][7] -	-	0.8	deg
		temperature range -40 °C to +140 °C	[1][4][7] -	-	0.65	deg
$\Delta\phi_{temp RT}$	temperature drift error at room temperature	temperature range -40 °C to +160 °C	[7][9] -	-	0.65	deg
		temperature range -40 °C to +140 °C	[7][9] -	-	0.55	deg
$\Delta\phi_{hys}$	hysteresis error	referred to input	[4][7] -	-	0.09	deg
$\Delta\phi_{\mu lin}$	microlinearity error	referred to input	[4][7] -0.1	-	+0.1	deg

**Table 13. Module performance ...continued**  
 Characteristics are valid for the operating conditions, as specified in [Section 9](#).

Symbol	Parameter	Conditions	Min	Typ	Max	Unit	
$\Delta\phi_{ang}$	angular error	temperature range -40 °C to +160 °C	<a href="#">[4]</a> <a href="#">[7]</a> <a href="#">[8]</a> <a href="#">[11]</a>	-1.35	-	+1.35	deg
		temperature range -40 °C to +140 °C	<a href="#">[4]</a> <a href="#">[7]</a> <a href="#">[8]</a> <a href="#">[11]</a>	-1.1	-	+1.1	deg
$m_{ang}$	slope of angular error		<a href="#">[4]</a> <a href="#">[7]</a> <a href="#">[11]</a>	-	-	0.04	deg/deg
$Z_{O(pl)}$	power-loss output impedance	impedance to remaining supply line in case of lost supply voltage or lost ground	-	-	210	$\Omega$	

- [1] At a nominal output voltage between 5 % $V_{DD}$  and 95 % $V_{DD}$  and a maximum angle of  $\alpha_{max} = 180^\circ$ .
- [2] In steps of resolution < 0.022°.
- [3] Activation is dependent on the programmed diagnostic mode.
- [4] At a low-pass filtered analog output with a cut-off frequency of 0.7 kHz.
- [5] Settling to these values is limited by 0.7 kHz low-pass filtering of analog output.
- [6] In steps of 0.02 % $V_{DD}$ .
- [7] Definition of errors is given in [Section 12](#).
- [8] Inhomogeneity of a 15 mm diameter disc magnet can increase the linearity error by < 0.1°.
- [9] Based on a 3 $\sigma$  standard deviation.
- [10] Room temperature is given for an ambient temperature of 25 °C.
- [11] Graph of angular error is shown in [Figure 5](#).



- (1) -40 °C to +160 °C
- (2) -40 °C to +140 °C

Fig 5. Envelope curve for the magnitude of angular error

Table 14. Dynamics

Characteristics are valid for the operating conditions, as specified in [Section 9](#).

Symbol	Parameter	Conditions	Min	Typ	Max	Unit
$t_{on}$	turn-on time	until first valid result	-	-	5	ms
$f_{upd}$	update frequency		2.4	3.125	-	kHz
$t_s$	settling time	after an ideal mechanical angle step of 45°, until 90 % of the final value is reached	-	-	1.8	ms
$t_{cmd(ent)}$	enter command mode time	after power-on	20	-	30	ms
$t_{rec(ov)}$	overvoltage recovery time	after overvoltage	-	-	4	ms

**Table 15. Digital interface**

Characteristics are valid for the operating conditions, as specified in [Section 9](#).

Symbol	Parameter	Conditions	Min	Typ	Max	Unit
$V_{IH}$	HIGH-level input voltage		80	-	-	% $V_{DD}$
$V_{IL}$	LOW-level input voltage		-	-	20	% $V_{DD}$
$V_{OH}$	HIGH-level output voltage	$I_O = 2\text{ mA}$	80	-	-	% $V_{DD}$
$V_{OL}$	LOW-level output voltage	$I_O = 2\text{ mA}$	-	-	20	% $V_{DD}$
$I_{od}$	overdrive current	absolute value for overdriving the output buffer	-	-	20	mA
$t_{start}$	start time	LOW level before rising edge	5	-	-	$\mu\text{s}$
$t_{stop}$	stop time	HIGH level before falling edge	5	-	-	$\mu\text{s}$
$T_{bit}$	bit period	the load capacitance limits the minimum period	10	-	100	$\mu\text{s}$
$\Delta T_{bit}$	bit period deviation	deviation between received clock and sent clock	$0.8T_{bit}$	$1T_{bit}$	$1.2T_{bit}$	$\mu\text{s}$
$t_{w0}$	pulse width 0		$0.175T_{bit}$	$0.25T_{bit}$	$0.375T_{bit}$	$\mu\text{s}$
$t_{w1}$	pulse width 1		$0.625T_{bit}$	$0.75T_{bit}$	$0.825T_{bit}$	$\mu\text{s}$
$t_{to}$	time-out time	communication reset guaranteed after maximum $t_{to}$	-	-	220	$\mu\text{s}$
$t_{tko(slv)}$	slave takeover time	duration of LOW level for slave takeover	1	-	5	$\mu\text{s}$
$t_{tko(mas)}$	master takeover time	duration of LOW level for master takeover	$0T_{bit}$	-	$0.5T_{bit}$	$\mu\text{s}$
$t_{prog}$	programming time	for a single memory address	20	-	-	ms
$t_{cp}$	charge pump time	waiting time after enabling the non-volatile memory charge pump clock	1	-	-	ms

**Table 16. Internal capacitances**

Characteristics are valid for the operating conditions, as specified in [Section 9](#).

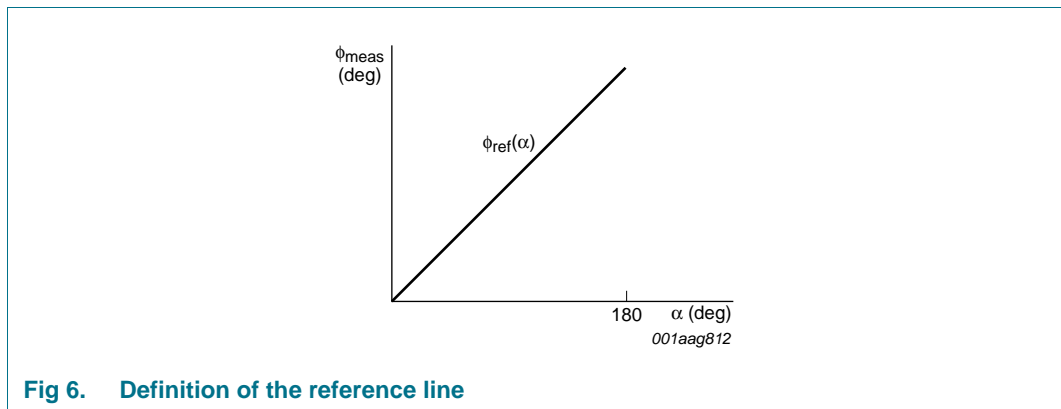
Symbol	Parameter	Conditions	Min	Typ	Max	Unit
$C_{block}$	blocking capacitance		[1] 50	100	150	nF
$C_L$	load capacitance		[1] 1.1	2.2	3.3	nF

[1] Measured at 1 MHz.

## 12. Definition of errors

### 12.1 General

Angular measurement errors by the KMA220 result from linearity errors, temperature drift errors and hysteresis errors and die displacement error. [Figure 6](#) shows the output signal of an ideal sensor, where the measured angle  $\phi_{meas}$  corresponds ideally to the magnetic field angle  $\alpha$ . This curve represents the angle reference line  $\phi_{ref}(\alpha)$  with a slope of  $0.5\%V_{DD}/\text{degree}$ .

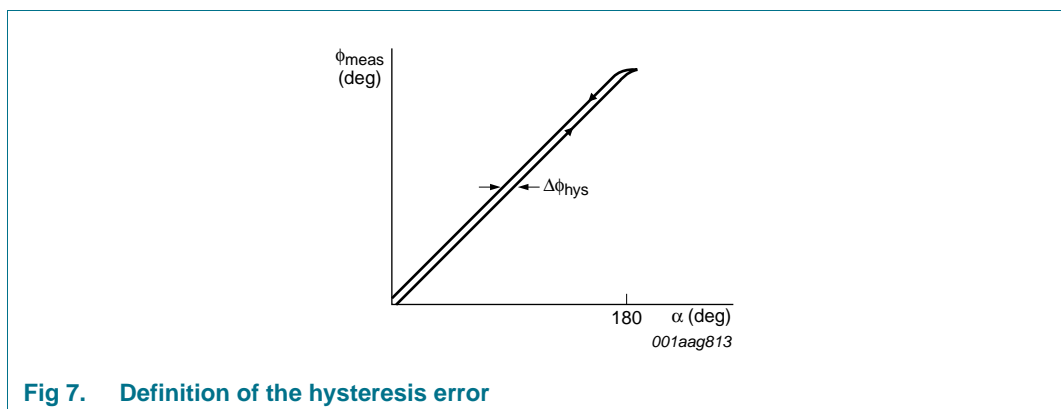


**Fig 6. Definition of the reference line**

The angular range is set to  $\alpha_{max} = 180^\circ$  and the clamping voltages are programmed to  $V_{(CL)l} = 5\%V_{DD}$  and  $V_{(CL)u} = 95\%V_{DD}$  for a valid definition of errors.

### 12.2 Hysteresis error

The device output performs a positive (clockwise) rotation and negative (counter clockwise) rotation over an angular range of  $180^\circ$  at a constant temperature. The maximum difference between the angles defines the hysteresis error  $\Delta\phi_{hys}$ .



**Fig 7. Definition of the hysteresis error**

[Equation 1](#) gives the mathematical description for the hysteresis value  $\Delta\phi_{hys}$ :

$$\Delta\phi_{hys}(\alpha) = |\phi_{meas}(\alpha \rightarrow 180^\circ) - \phi_{meas}(\alpha \rightarrow 0^\circ)| \tag{1}$$

### 12.3 Linearity error

The KMA220 output signal deviation from a best straight line  $\phi_{BSL}$ , with the same slope as the reference line, is defined as linearity error. The magnetic field angle is varied at fixed temperatures for measurement of this linearity error. The output signals deviation from the best straight line at the given temperature is the linearity error  $\Delta\phi_{lin}$ . It is a function of the magnetic field angle  $\alpha$  and the temperature of the device  $T_{amb}$ .

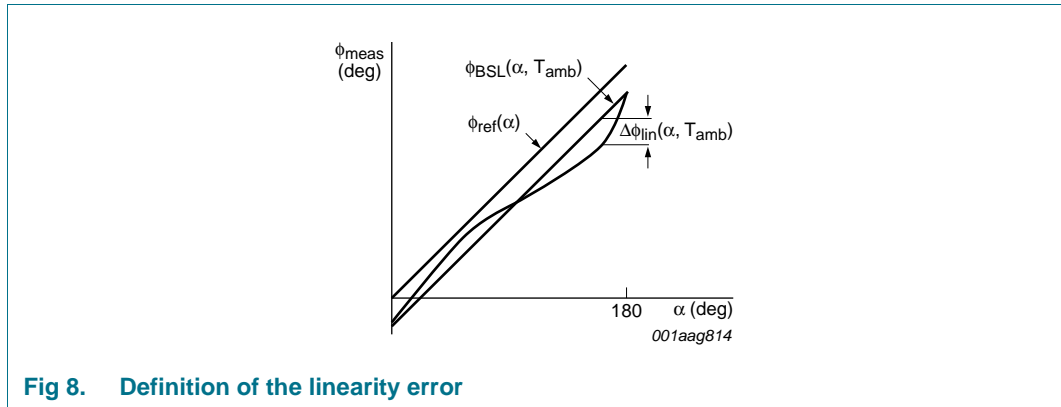


Fig 8. Definition of the linearity error

### 12.4 Microlinearity error

$\alpha$  is the magnetic field angle. If  $\Delta\alpha = 1^\circ$ , the microlinearity error  $\Delta\phi_{\mu lin}$  is the device output deviation from  $1^\circ$ .

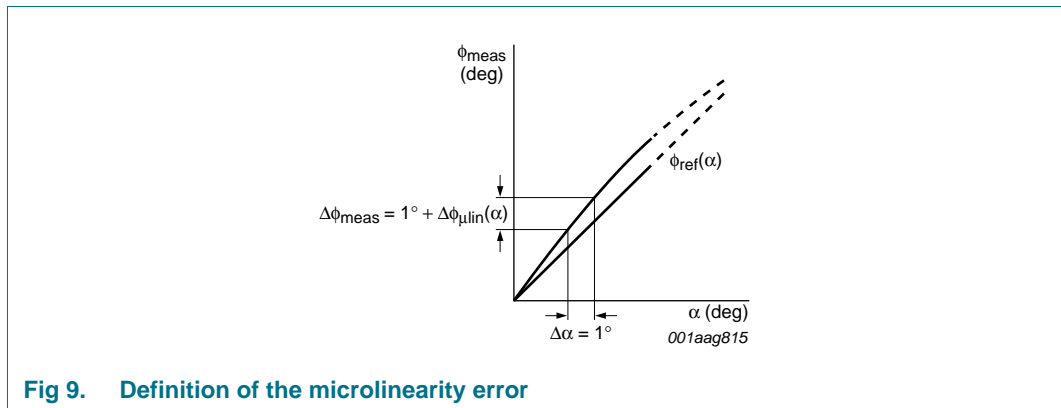


Fig 9. Definition of the microlinearity error

### 12.5 Temperature drift error

The temperature drift  $\Delta\phi_{temp}$  is defined as the envelope over the deviation of the angle versus the temperature range. It is considered as the pure thermal effect.

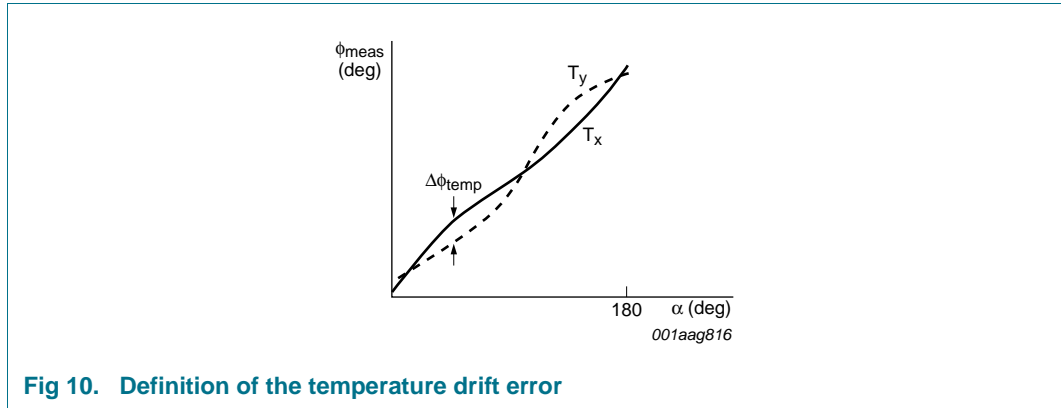


Fig 10. Definition of the temperature drift error

Equation 2 gives the mathematical description for temperature drift value  $\Delta\phi_{temp}$ :

$$\Delta\phi_{temp}(\alpha) = |\phi_{meas}(\alpha, T_x) - \phi_{meas}(\alpha, T_y)| \tag{2}$$

with:

$T_x$ : temperature for maximum  $\phi_{meas}$  at angle  $\alpha$

$T_y$ : temperature for minimum  $\phi_{meas}$  at angle  $\alpha$

The deviation from the value at room temperature  $\Delta\phi_{temp|RT}$  describes the temperature drift of the angle, compared to the value, which the sensor provides at room temperature:

$$\Delta\phi_{temp|RT}(\alpha, T_{amb}) = |\phi_{meas}(\alpha, T_{amb}) - \phi_{meas}(\alpha, T_{RT})| \tag{3}$$

with:

$T_{RT}$ : room temperature (25 °C)

### 12.6 Angular error

The angular error  $\Delta\phi_{ang}$  is the difference between mechanical angle and sensor output during a movement from  $\alpha_0$  to  $\alpha_1$ . Here  $\alpha_0$  and  $\alpha_1$  are arbitrary angles within the angular range. The customer initially programs the angle measurement at  $\alpha_0$  at room temperature and zero hour upon production. The angle measurement at  $\alpha_1$  is made at any temperature within the ambient temperature range:

$$\Delta\phi_{ang} = (\phi_{meas}(\alpha_1, T_{amb}) - \phi_{meas}(\alpha_0, T_{RT})) - (\alpha_1 - \alpha_0) \tag{4}$$

with:

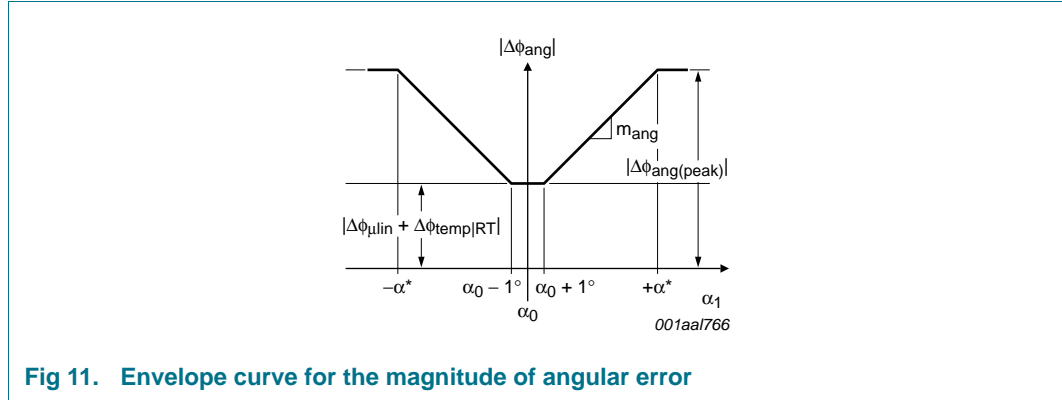
$\alpha_0, \alpha_1$ : arbitrary mechanical angles within the angular range

$\phi_{meas}(\alpha_0, T_{RT})$ : programmed angle at  $\alpha_0, T_{RT} = 25\text{ °C}$  and zero hour upon production

$\phi_{meas}(\alpha_1, T_{amb})$ : the sensor measures angle at  $\alpha_1$  and any temperature within  $T_{amb}$



This error comprises non-linearity and temperature drift related to the room temperature.



**Fig 11. Envelope curve for the magnitude of angular error**

Figure 11 shows the envelope curve for the magnitude of angular error  $|\Delta\phi_{ang}|$  versus  $\alpha_1$  for all angles  $\alpha_0$  and all temperatures  $T_{amb}$  within the ambient temperature range. If  $\alpha_1$  is in the range of  $\pm 1^\circ$  around  $\alpha_0$ ,  $|\Delta\phi_{ang}|$  has its minimum. Here only the microlinearity error  $\Delta\phi_{\mu lin}$  and the temperature drift related to the room temperature  $|\Delta\phi_{temp}|_{RT}$  occurs. If  $\alpha_1$  deviates from  $\alpha_0$  by more than  $1^\circ$  in either direction,  $|\Delta\phi_{ang}|$  can increase. Slope  $m_{ang}$  defines the gradient.

Equation 5 to Equation 8 express the angular error:

for  $|\alpha_1 - \alpha_0| \leq 1^\circ$

$$|\Delta\phi_{ang}| = |\Delta\phi_{\mu lin} + \Delta\phi_{temp}|_{RT}| \tag{5}$$

for  $1^\circ < |\alpha_1 - \alpha_0| < \alpha^*$

$$|\Delta\phi_{ang}| = |\Delta\phi_{\mu lin} + \Delta\phi_{temp}|_{RT}| + m_{ang} \times (|\alpha_1 - \alpha_0| - 1^\circ) \tag{6}$$

for  $|\alpha_1 - \alpha_0| \geq \alpha^*$

$$|\Delta\phi_{ang}| = \sqrt{(\Delta\phi_{lin})^2 + (\Delta\phi_{temp}|_{RT})^2} \tag{7}$$

with:

$$\alpha^* = \frac{|\Delta\phi_{ang(peak)}| - |\Delta\phi_{\mu lin} + \Delta\phi_{temp}|_{RT}|}{m_{ang}} + \alpha_0 + 1^\circ \tag{8}$$

## 13. Programming

### 13.1 General description

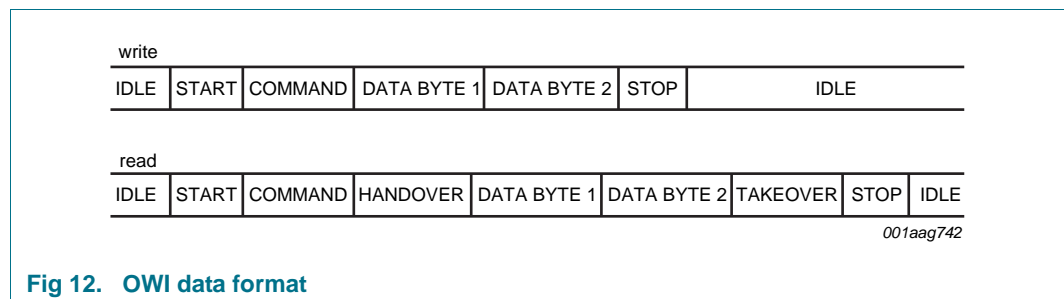
Each channel of the KMA220 provides an OWI to enable programming of the device which uses pin OUT1/DATA1 and pin OUT2/DATA2 bidirectionally.

In general the device runs in analog output mode, the normal operation mode. The embedded programming data configures this mode. After a power-on reset once time  $t_{on}$  has elapsed, it starts. In this mode, the magnetic field angle is converted into the corresponding output voltage per channel.

A second mode, the command mode enables programming. In this mode, the customer can adjust all required parameters (for example zero angle and angular range) to meet the application requirements. After enabling the internal charge pump and waiting for  $t_{cp}$ , the data is stored in the non-volatile memory. After changing the contents of the memory, recalculate and write the checksum (see [Section 13.4](#)).

In order to enter the command mode, send a specific command sequence after a power-on reset and during the time slot  $t_{cmd(ent)}$ . The external source used to send the command sequence must overdrive the output buffers of the KMA220. In doing so, it provides current  $I_{od}$ . This signature can be sent to each channel separately or in parallel.

During communication, the channels of the KMA220 are always the slaves and the external programming hardware is always the master. [Figure 12](#) illustrates the structure of the OWI data format.



**Fig 12. OWI data format**

The master provides the start condition, which is a rising edge after a LOW level. Then a command byte which can be either a read or a write command is sent. Depending on the command, the master or the slave has to send the data immediately after the command sequence. If there is a read command, an additional handover or takeover bit is inserted before and after the data bytes. The master must close each communication with a stop condition. If the slave does not receive a rising edge for a time longer than  $t_{to}$ , a time-out condition occurs. The bus is reset to the idle state and waits for a start condition and a new command. This behavior can be used to synchronize the device regardless of the previous state.

All communication is based on this structure (see [Figure 12](#)), even for entering the command mode. The customer can access the non-volatile memory, CTRL1, TESTCTRL0 and SIGNATURE registers (described in [Section 13.5](#)). Only a power-on reset leaves the command mode. A more detailed description of the programming is given in the next sections.

### 13.2 Timing characteristics

As described in the previous section, a start and stop condition is necessary for communication. The LOW-level duration before the rising edge of the start condition is defined as  $t_{start}$ . The HIGH-level duration after the rising edge of the stop condition is defined as  $t_{stop}$ . These parameters, together with all other timing characteristics are shown in [Table 15](#).

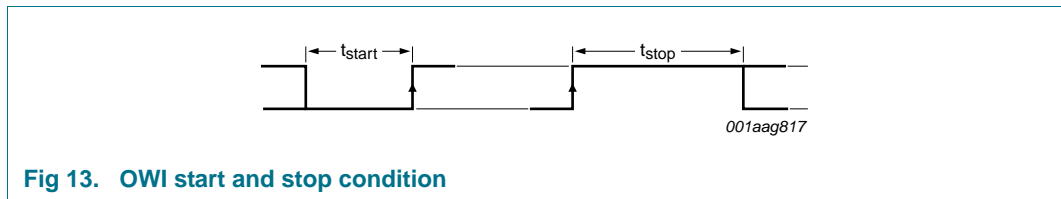


Fig 13. OWI start and stop condition

[Figure 14](#) shows the coding of a single bit with a HIGH level of  $V_{IH}$  and a LOW level of  $V_{IL}$ . Here the pulse width  $t_{w1}$  or  $t_{w0}$  represents a logic 1 or a logic 0 of a full bit period  $T_{bit}$ , respectively.

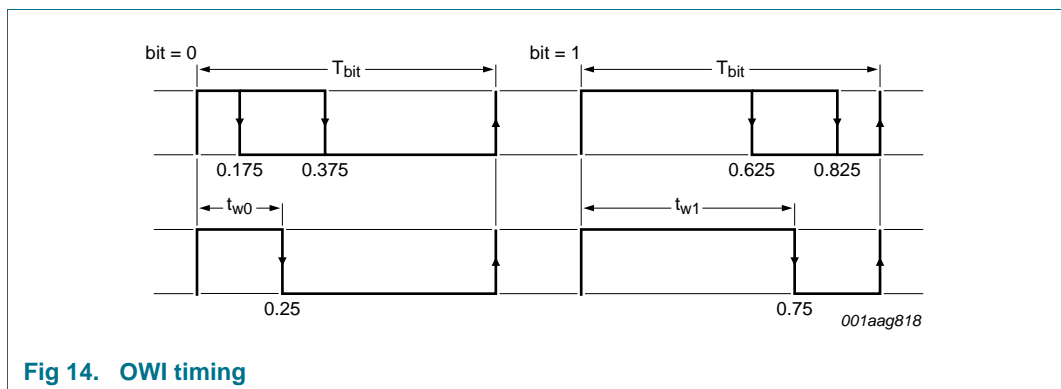


Fig 14. OWI timing

### 13.3 Sending and receiving data

The master has to control the communication during sending or receiving data. The command byte defines the region, address and type of command the master requests. Read commands need an additional handover or takeover bit. Insert this bit before and after the two data bytes (see [Figure 12](#)). However the OWI is a serial data transmission, whereas the Most Significant Byte (MSB) send at first.

Table 17. Format of a command byte

7	6	5	4	3	2	1	0
CMD7	CMD6	CMD5	CMD4	CMD3	CMD2	CMD1	CMD0

Table 18. Command byte bit description

Bit	Symbol	Description
7 to 5	CMD[7:5]	region bits
		000 = 16-bit non-volatile memory
		001 to 011 = reserved
		100 = 16-bit register
		101 to 111 = reserved

**Table 18. Command byte bit description ...continued**

Bit	Symbol	Description
4 to 1	CMD[4:1]	address bits
0	CMD0	read/write
		0 = write
		1 = read

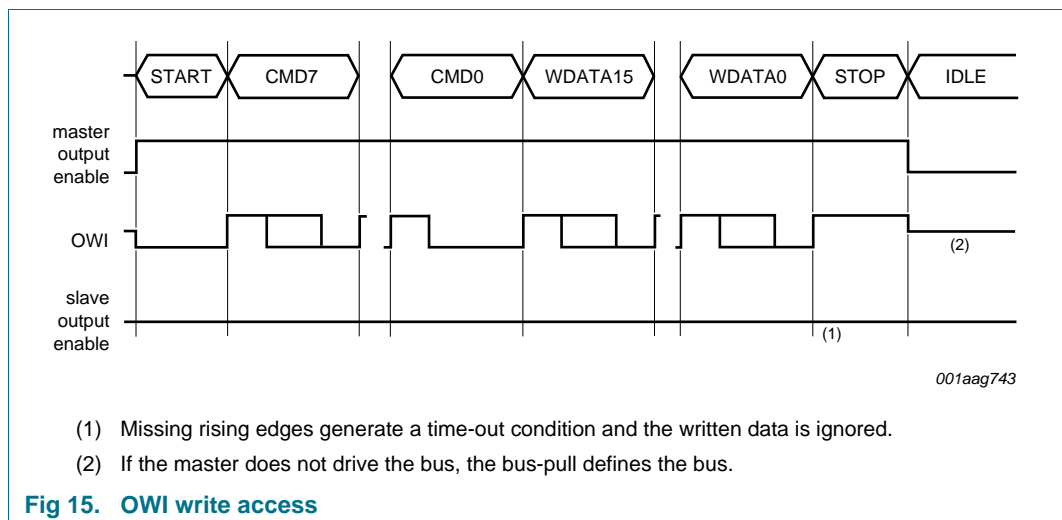
A more detailed description of all customer accessible registers is given in [Section 13.5](#). Both default value and the complete command including the address and write or read request are also listed.

**13.3.1 Write access**

To write data to the non-volatile memory, enable the internal charge pump. Set bits CP\_CLOCK\_EN and WRITE\_EN and wait for  $t_{cp}$  enables the internal charge pump. Perform the following procedure for write access:

1. Start condition: The master drives a rising edge after a LOW level
2. Command: The master sends a write command (CMD0 = 0)
3. Data: The master sends two data bytes
4. Stop condition: The master drives a rising edge after a LOW level

[Figure 15](#) shows the write access of the digital interface. The signal OWI represents the data on the bus from the master or slave. The signals: master output enable and slave output enable indicate when the master or the slave output is enabled or disabled, respectively.



**Note:** As already mentioned in [Section 13.1](#), use the write procedure to enter the command mode. If command mode is not entered, communication is not possible and the sensor operates in normal operation mode. After changing an address, the time  $t_{prog}$  must elapse before changing another address. After changing the contents of the non-volatile memory, recalculate and write the checksum (see [Section 13.4](#)).

13.3.2 Read access

Perform the following procedure, to read data from the sensor:

1. Start condition: The master drives a rising edge after a LOW level
2. Command: The master sends a read command (CMD0 = 1)
3. Handover: The master sends a handover bit, that is a logic 0 and disables the output after a three-quarter bit period
4. Takeover: The slave drives a LOW level after the falling edge for  $t_{tko(slv)}$
5. Data: The slave sends two data bytes
6. Handover: The slave sends a handover bit, that is a logic 0 and disables the output after a three-quarter bit period
7. Takeover: The master drives a LOW level after the falling edge for  $t_{tko(mas)}$
8. Stop condition: The master drives a rising edge after a LOW level

Figure 16 shows the read access of the digital interface. The signal OWI represents the data on the bus from the master or slave. The signals: master output enable and slave output enable indicate when the master or the slave output is enabled or disabled, respectively.

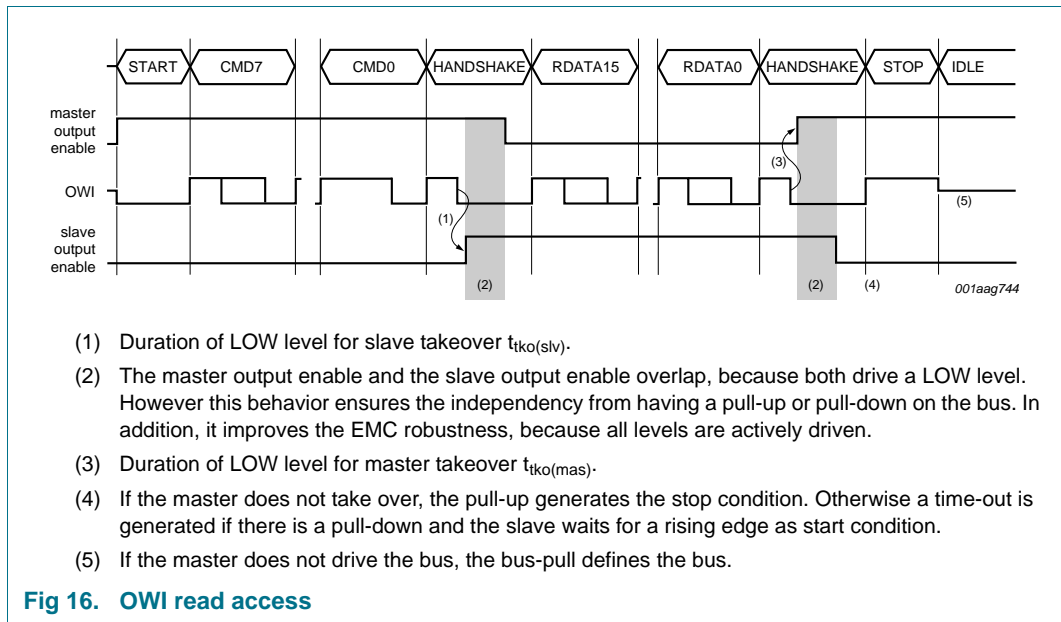


Fig 16. OWI read access

**13.3.3 Entering the command mode**

After a power-on reset, the sensor provides a time slot  $t_{cmd(ent)}$  for entering the command mode. Send a specific command sequence (see Figure 17). If command mode is not entered, the sensor starts in the normal operation mode. If the sensor stays in the diagnostic mode, the master can write the signature without a power-on reset.

During the command mode sequence, the analog output is enabled. The external programming hardware has to overdrive the output with current  $I_{od}$ . If command mode is activated, the analog output is disabled and pin OUT1/DATA1 and pin OUT2/DATA2 operates as a digital interface.

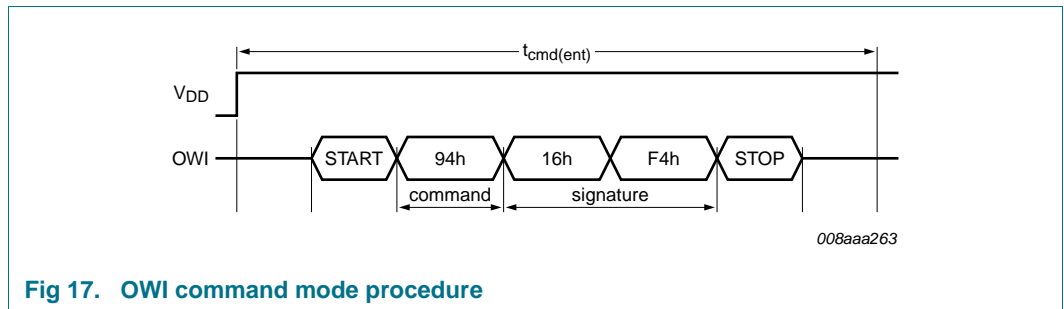


Fig 17. OWI command mode procedure

**13.4 Cyclic redundancy check**

As already mentioned in Section 7, there is an 8-bit checksum for the non-volatile memory data. To calculate this value, the MSB of the memory data word generates the CRC at first over all corresponding addresses in increasing order.

Read out all addresses from 8h to Fh for calculating the checksum. The Least Significant Byte (LSB) of address Fh which contains the previous checksum must be overwritten with 0h before the calculation can be started.

Setting bits CP\_CLOCK\_EN and WRITE\_EN (see Section 13.5.1) and waiting for  $t_{cp}$  enables the internal charge pump for programming.

The generator polynomial for the calculation of the checksum is:

$$G(x) = x^8 + x^2 + x + 1 \tag{9}$$

With a start value of FFh and the data bits are XOR at the  $x^8$  point.

### 13.4.1 Software example in C

```

1  #include <stdio.h>
2
3  // calc_crc accepts unsigned 16-bit data in data
4  int calc_crc(int crc, unsigned int data)
5  {
6      const int gpoly = 0x107; // generator polynomial
7      int i; //index variable
8      for (i = 15; i >= 0; i--)
9      {
10         crc <<= 1; //shift left
11         crc |= (int) ((data & (1u<<i))>>i);
12         // XOR of with generator polynomial when MSB(9) = HIGH
13         if (crc & 0x100) crc ^= gpoly;
14     }
15     return crc;
16 }
17 int main(void)
18 {
19     int crc, crc_res, i;
20     // 8 LSB are CRC field filled with 0
21     unsigned int data_seq[] = {0x0000, 0xFFC1, 0x0400, 0x0100,
22                               0x1300, 0x0000, 0x0000, 0x0000};
23     // calculate checksum over all data
24     crc = 0xFF; // start value of crc register
25     printf("Address\tValue\n");
26     for (i = 0; i <= 7; i++)
27     {
28         printf("0x%1X\t0x%04X\n", i, data_seq[i]);
29         crc = calc_crc(crc, data_seq[i]);
30     }
31     crc_res = crc; // crc_res = 0xA9
32     printf("\nChecksum\n0x%02X\n", crc_res);
33     // check procedure for preceding data sequence
34     crc = 0xFF;
35     for (i = 0; i <= 6; i++)
36         crc = calc_crc(crc, data_seq[i]);
37     // last word gets crc inserted
38     crc = calc_crc(crc, data_seq[i] | crc_res);
39     printf("\nCheck procedure for data sequence: must be 0x00 is 0x%02X.\n", crc);
40     return 1;
41 }

```

The checksum of this data sequence is A9h.

## 13.5 Registers

### 13.5.1 Command registers

To enter the command mode, write the signature given in [Table 19](#) into the specific register using the OWI. Do this procedure as described in [Section 13.3.3](#), with a write command, the signature follows it, but after a power-on reset and not later than  $t_{cmd(ent)}$ .

**Table 19. Command registers**

Command write/read	Register	Bit	Access	Field	Description
82h/83h	CTRL1	15	R	IN_DIAG_MODE	shows if there is a diagnostic condition present; the setting of register field FORCE_DIAG_OFF does not affect this bit
		14	W	FORCE_DIAG_OFF	force diagnostic mode off; default: 0b
		13	-	-	reserved
		12	R	LOW_VOLTAGE_DET	low voltage condition detected
		11	R/W	CP_CLOCK_EN	charge pump clock enabled (must be set after setting write enable signal for writing to non-volatile memory); default: 0b
		10 and 9	-	-	reserved
		8	R	ERR_CORRECT	single-bit error of non-volatile memory has been detected and corrected; updated every memory readout; remains set until the diagnostic condition disappears and a power-on reset is done
		7	R	UNCORR_ERR	double-bit error of non-volatile memory has been detected; updated every memory readout; remains set until the diagnostic condition disappears and a power-on reset is done
		6	R	MAGNET_LOSS_DET	magnet-loss detected; bit remains set until the diagnostic condition disappears and a power-on reset is done; enable magnet-loss detection for entering diagnostic mode
		5	-	-	reserved
		4	R	CRC_BAD	checksum error detected; updated every start-up
		3 to 0	-	-	reserved
		94h/-	SIGNATURE	15 to 0	W
96h/97h	TESTCTRL0	15 to 12	-	-	reserved
		11	W	WRITE_EN	write enable signal; set before writing to non-volatile memory; default: 0b
		10 to 0	-	-	reserved



### 13.5.2 Non-volatile memory registers

The device includes several internal registers which are used for customization and identification.

The initial signature allows read access to all areas but only write access to customer registers. Write accesses to reserved areas are ignored. Since these registers are implemented as non-volatile memory cells, writing to the registers needs a specific time  $t_{\text{prog}}$  after each write access to complete.

As there is no check for the programming time, make sure that no other accesses to the non-volatile memory are made during the programming cycle. Do not address the non-volatile memory during the time  $t_{\text{prog}}$ .

**Note:** Before data can be stored in the non-volatile memory, switch on the internal charge pump for the programming duration by setting register CTRL1, bit 11 CP\_CLOCK\_EN and register TESTCTRL0, bit 11 WRITE\_EN. Read out and consult register addresses 8h to Fh to calculate the checksum.

**Table 20. Non-volatile memory registers**

Address	Command write/read	Register	Bit	Description	Default MSB/LSB
0h	-/01h	reserved	-	addresses are reserved for calibration purposes	[1]
1h	-/03h				
2h	-/05h				
3h	-/07h				
4h	-/09h				
5h	-/0Bh				
6h	-/0Dh				
7h	-/0Fh				
8h	10h/11h	ZERO_ANGLE	15 to 0	mechanical zero degree position; see <a href="#">Table 21</a>	00h/00h
9h	12h/13h	ANG_RNG_MULT_MSB	15 to 6	CLAMP_SW_ANGLE; when the measured angle is bigger than CLAMP_SW_ANGLE the output switches to CLAMP_LO for a positive slope; see <a href="#">Table 26</a>	FFh/C1h
			5 to 0	ANG_RNG_MULT_MSB; most significant bits of the angular range multiplier; see <a href="#">Table 24</a>	
Ah	14h/15h	ANG_RNG_MULT_LSB	15 and 14	DIAGNOSTIC_LEVEL; diagnostic level behavior of the analog output; see <a href="#">Table 25</a>	04h/00h
				<b>00b</b> — active LOW (in lower diagnostic range) with driver strength of the analog output <b>01b</b> — active HIGH (in upper diagnostic range) with driver strength of the analog output <b>10b</b> — reserved <b>11b</b> — reserved	
			13	SLOPE_DIR; slope of analog output	
			12 to 0	ANG_RNG_MULT_LSB; least significant bits of the angular range multiplier	

**Table 20. Non-volatile memory registers ...continued**

Address	Command write/read	Register	Bit	Description	Default MSB/LSB
Bh	16h/17h	CLAMP_LO	15	<b>0b</b> — reserved	01h/00h
			14 and 13	undefined <sup>[2]</sup>	
			12 to 0	lower clamping level; see <a href="#">Table 22</a>	
Ch	18h/19h	CLAMP_HI	15 to 13	undefined <sup>[2]</sup>	13h/00h
			12 to 0	upper clamping level; see <a href="#">Table 23</a>	
Dh	1Ah/1Bh	ID_LO	15 to 0	lower 16 bits of identification code	00h/00h
Eh	1Ch/1Dh	ID_HI	15 to 0	upper 16 bits of identification code	00h/00h
Fh	1Eh/1Fh	CTRL_CUST	15	LOCK; irreversible write protection of non-volatile memory <b>1b</b> — enabled	00h/ <sup>[1]</sup>
			14 to 8	MAGNET_LOSS; magnet-loss detection <b>00h</b> — disabled <b>49h</b> — enabled	
			7 to 0	CRC; checksum (see <a href="#">Section 13.4</a> )	

[1] Variable and individual for each device.

[2] Undefined; write as zero for default.

**Table 21. ZERO\_ANGLE - mechanical zero degree position (address 8h) bit allocation**

Data format: unsigned fixed point; resolution:  $2^{-16}$ .

Bit	15	14	13	12	11	10	9	8	7	6	5	4	3	2	1	0
Value	$2^{-1}$	$2^{-2}$	$2^{-3}$	$2^{-4}$	$2^{-5}$	$2^{-6}$	$2^{-7}$	$2^{-8}$	$2^{-9}$	$2^{-10}$	$2^{-11}$	$2^{-12}$	$2^{-13}$	$2^{-14}$	$2^{-15}$	$2^{-16}$

Mechanical angular range 0000h = 0° to FFFFh = 180° – 1 LSB.

Examples:

- Mechanical zero angle 0° = 0000h
- Mechanical zero angle 10° = 0E38h
- Mechanical zero angle 45° = 4000h

**Table 22. CLAMP\_LO - lower clamping level (address Bh) bit allocation**

Data format: unsigned integer (DAC values 256 to 4864); resolution:  $2^0$ .

Bit	15	14	13	12	11	10	9	8	7	6	5	4	3	2	1	0
Value	0	U <sup>[1]</sup>	U <sup>[1]</sup>	$2^{12}$	$2^{11}$	$2^{10}$	$2^9$	$2^8$	$2^7$	$2^6$	$2^5$	$2^4$	$2^3$	$2^2$	$2^1$	$2^0$

[1] Undefined; write as zero for default; returns any value when read.

Values 0 to 255 are reserved. It is not permitted to use such values.

Examples:

- 100 %V<sub>DD</sub> = 5120 (reserved)
- 10 %V<sub>DD</sub> = 512
- 5 %V<sub>DD</sub> = 256

**Table 23. CLAMP\_HI - upper clamping level (address Ch) bit allocation**

Data format: unsigned integer (DAC values 256 to 4864); resolution: 2<sup>0</sup>.

Bit	15	14	13	12	11	10	9	8	7	6	5	4	3	2	1	0
Value	U <sup>[1]</sup>	U <sup>[1]</sup>	U <sup>[1]</sup>	2 <sup>12</sup>	2 <sup>11</sup>	2 <sup>10</sup>	2 <sup>9</sup>	2 <sup>8</sup>	2 <sup>7</sup>	2 <sup>6</sup>	2 <sup>5</sup>	2 <sup>4</sup>	2 <sup>3</sup>	2 <sup>2</sup>	2 <sup>1</sup>	2 <sup>0</sup>

[1] Undefined; write as zero for default; returns any value when read.

Values 4865 to 5120 are reserved. It is not permitted to use such values.

Examples:

- 100 %V<sub>DD</sub> = 5120 (reserved)
- 95 %V<sub>DD</sub> = 4864
- 90 %V<sub>DD</sub> = 4608

**Table 24. ANG\_RNG\_MULT\_MSB - most significant bits of angular range multiplier (address 9h) bit allocation**

Data format: unsigned fixed point; resolution: 2<sup>-1</sup>.

Bit	15	14	13	12	11	10	9	8	7	6	5	4	3	2	1	0
Value	CLAMP_SW_ANGLE										2 <sup>4</sup>	2 <sup>3</sup>	2 <sup>2</sup>	2 <sup>1</sup>	2 <sup>0</sup>	2 <sup>-1</sup>

$$ANG\_RNG\_MULT = \frac{CLAMP\_HI - CLAMP\_LO}{8192} \times \frac{180^\circ}{ANGULAR\_RANGE} \quad (10)$$

Examples:

- $ANG\_RNG\_MULT = \frac{4864 - 256}{8192} \times \frac{180^\circ}{180^\circ} = 0.5625$
- $ANG\_RNG\_MULT = \frac{4864 - 256}{8192} \times \frac{180^\circ}{90^\circ} = 1.125$

**Table 25. ANG\_RNG\_MULT\_LSB - least significant bits of angular range multiplier (address Ah) bit allocation**

Data format: unsigned fixed point; resolution: 2<sup>-14</sup>.

Bit	15	14	13	12	11	10	9	8	7	6	5	4	3	2	1	0
Value	V <sup>[1]</sup>	V <sup>[1]</sup>	2 <sup>-2</sup>	2 <sup>-3</sup>	2 <sup>-4</sup>	2 <sup>-5</sup>	2 <sup>-6</sup>	2 <sup>-7</sup>	2 <sup>-8</sup>	2 <sup>-9</sup>	2 <sup>-10</sup>	2 <sup>-11</sup>	2 <sup>-12</sup>	2 <sup>-13</sup>	2 <sup>-14</sup>	

[1] Variable; depending on the setting of diagnostic level and slope of analog output.

$$ANG\_RNG\_MULT = \frac{CLAMP\_HI - CLAMP\_LO}{8192} \times \frac{180^\circ}{ANGULAR\_RANGE} \quad (11)$$

**Table 26. CLAMP\_SW\_ANGLE - clamp switch angle (address 9h) bit allocation**

Data format: unsigned fixed point; resolution: 2<sup>-10</sup>.

Bit	15	14	13	12	11	10	9	8	7	6	5	4	3	2	1	0
Value	2 <sup>-1</sup>	2 <sup>-2</sup>	2 <sup>-3</sup>	2 <sup>-4</sup>	2 <sup>-5</sup>	2 <sup>-6</sup>	2 <sup>-7</sup>	2 <sup>-8</sup>	2 <sup>-9</sup>	2 <sup>-10</sup>	ANG_RNG_MULT_MSB					

Mechanical angular range 0000h = 0° to 3FFh = 180° – 1 LSB.

$$CLAMP\_SW\_ANGLE = \frac{1}{2} \times \left( 1 + \frac{CLAMP\_HI - CLAMP\_LO}{8192} \times \frac{1}{ANG\_RNG\_MULT} \right) \quad (12)$$

If the magnetic field angle is larger than the CLAMP\_SW\_ANGLE, the output switches to CLAMP\_LO for a positive slope. Program the value of CLAMP\_SW\_ANGLE, which can be calculated from other non-volatile memory constants.

## 14. Electromagnetic compatibility

EMC is verified in an independent and certified test laboratory.

### 14.1 Emission (CISPR 25)

Tests according to CISPR 25 were fulfilled.

#### 14.1.1 Conducted radio disturbance

Test of the device according to CISPR 25, third edition (2008-03), Chapter 6.2.

Classification level: 5.

#### 14.1.2 Radiated radio disturbance

Test of the device according to CISPR 25, third edition (2008-03), Chapter 6.4.

Classification level: 5 (without addition of 6 dB in FM band).

### 14.2 Radiated disturbances (ISO 11452-1 third edition (2005-02), ISO 11452-2, ISO 11452-4 and ISO 11452-5)

The common understanding of the requested function is that an effect is tolerated as described in [Table 27](#) during the disturbance. The reachable values are setup-dependent and differ from the final application.

**Table 27. Failure condition for radiated disturbances**

Parameter	Comment	Min	Max	Unit
Variation of output signal in analog output mode	value measured relative to the output at test start	-	±0.9	%V <sub>DD</sub>

#### 14.2.1 Absorber lined shielded enclosure

Tests according to ISO 11452-2, second edition (2004-11), were fulfilled.

Test level: 200 V/m; extended up to 4 GHz.

State: A.

#### 14.2.2 Bulk-current injection

Tests according to ISO 11452-4, third edition (2005-04), were fulfilled.

Test level: 200 mA.

State: A.

#### 14.2.3 Strip line

Tests according to ISO 11452-5, second edition (2002-04), were fulfilled.

Test level: 200 V/m; extended up to 1 GHz.

State: A.

#### 14.2.4 Immunity against mobile phones

Tests according to ISO 11452-2, second edition (2004-11), were fulfilled.

State: A.

Definition of Global System for Mobile Communications (GSM) signal:

- Pulse modulation: per GSM specification (217 Hz; 12.5 % duty cycle)
- Modulation grade:  $\geq 60$  dB
- Sweep: linear 800 MHz to 3 GHz (duration 10 s at 890 MHz, 940 MHz and 1.8 GHz band)
- Antenna polarization: vertical, horizontal
- Field strength: 200 V/m during on-time [calibration in Continuous Wave (CW)]

In deviation of ISO 11452-2, a GSM signal instead of an AM signal was used.

#### 14.3 Electrical transient transmission by capacitive coupling [ISO 7637-3, second edition (2007-07)]

The common understanding of the requested function is that an effect is tolerated as described in [Table 28](#) during the disturbance.

**Table 28. Failure condition for electrical transient transmission**

Parameter	Comment	Min	Max	Unit
Variation of output signal in analog output mode	value measured relative to the output at test start	-	$\pm 0.9$	$\%V_{DD}$

Tests according to ISO 7637-3 were fulfilled.

Test level: IV (for 12 V electrical system).

Classification level: B for pulse Fast a, B for pulse Fast b.

## 15. ElectroStatic Discharge (ESD)

#### 15.1 Human body model (AEC-Q100-002)

The KMA220 is protected up to 8 kV, according to the human body model at 100 pF and 1.5 k $\Omega$ . This protection is ensured at all pins.

Classification level: H3B.

**15.2 Human metal model (ANSI/ESD SP5.6-2009)**

The KMA220 is protected up to 8 kV, according to the human metal model at 150 pF and 330 Ω inside the ESD gun. This test utilizes waveforms of the IEC 61000-4-2 standard on component level. Apply the contact discharge in an unsupplied state at pins OUT1/DATA1, OUT2/DATA2 and V<sub>DD</sub> referred to GND which is connected directly to the ground plane.

Test setup: A.

Test level: 5.

**15.3 Machine model (AEC-Q100-003)**

The KMA220 is protected up to 400 V, according to the machine model. This protection is ensured at all pins.

Classification level: M4.

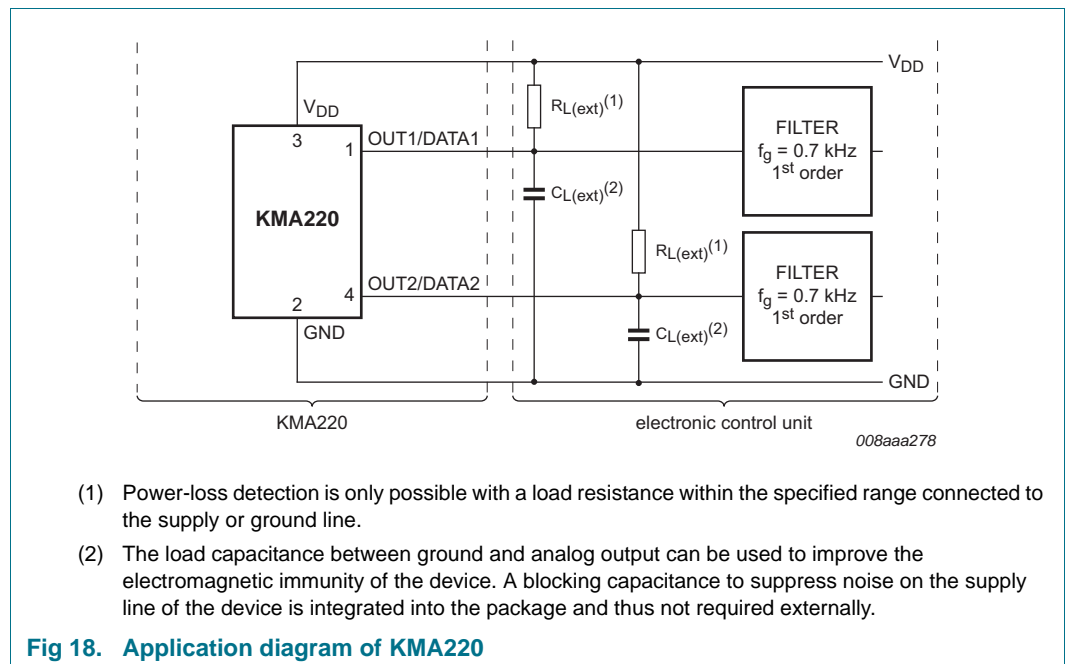
All pins have latch-up protection.

**15.4 Charged-device model (AEC-Q100-011)**

The KMA220 is protected up to 750 V, according to the charged-device model. This protection is ensured at all pins.

Classification level: C4.

**16. Application information**

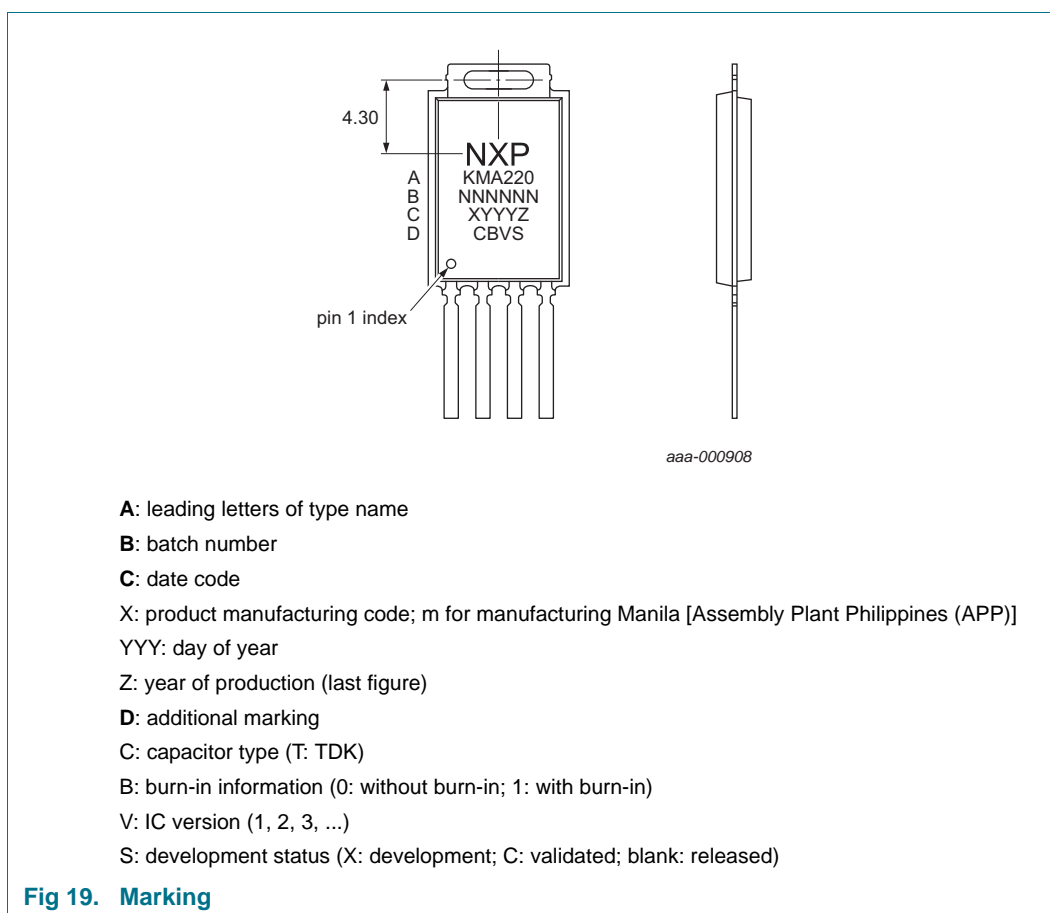


## 17. Test information

### 17.1 Quality information

This product has been qualified in accordance with the Automotive Electronics Council (AEC) standard *Q100 Rev-G - Failure mechanism based stress test qualification for integrated circuits*, and is suitable for use in automotive applications.

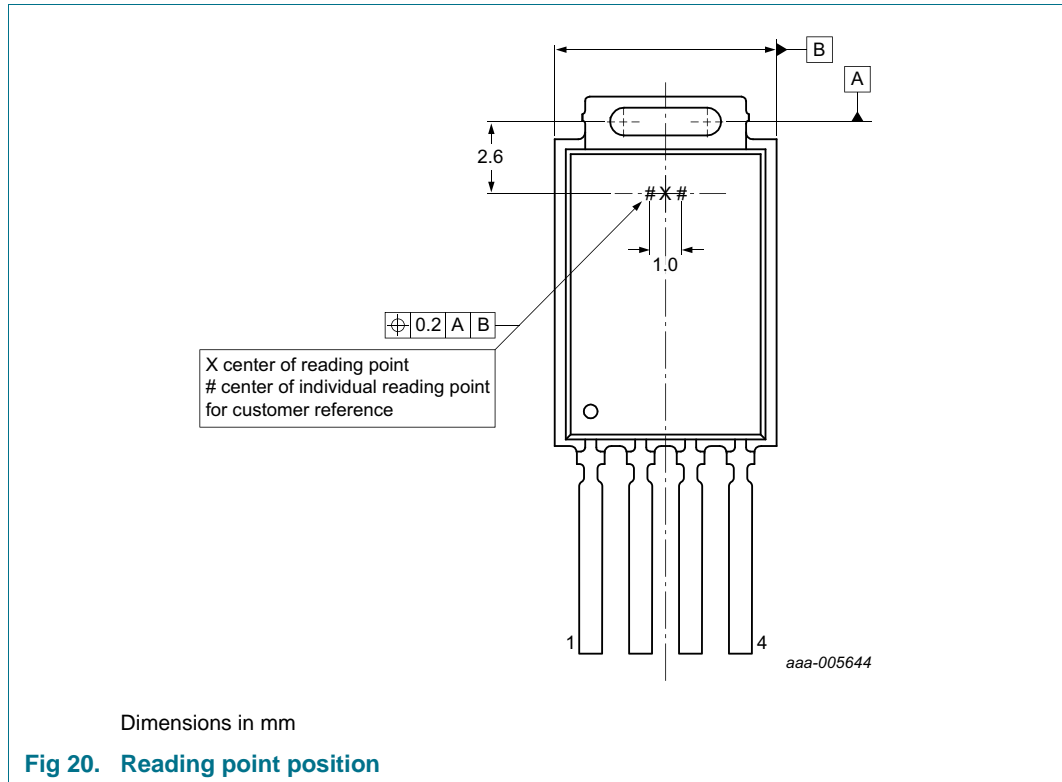
## 18. Marking



This document is referring to KMA220 products marked with V = 2.

## 19. Package information

### 19.1 Reading point position



### 19.2 Terminals

Lead frame material: CuZr with 99.9 % Cu and 0.1 % Zr.



20. Package outline

SIL4: plastic, single in-line package

SOT1188-1

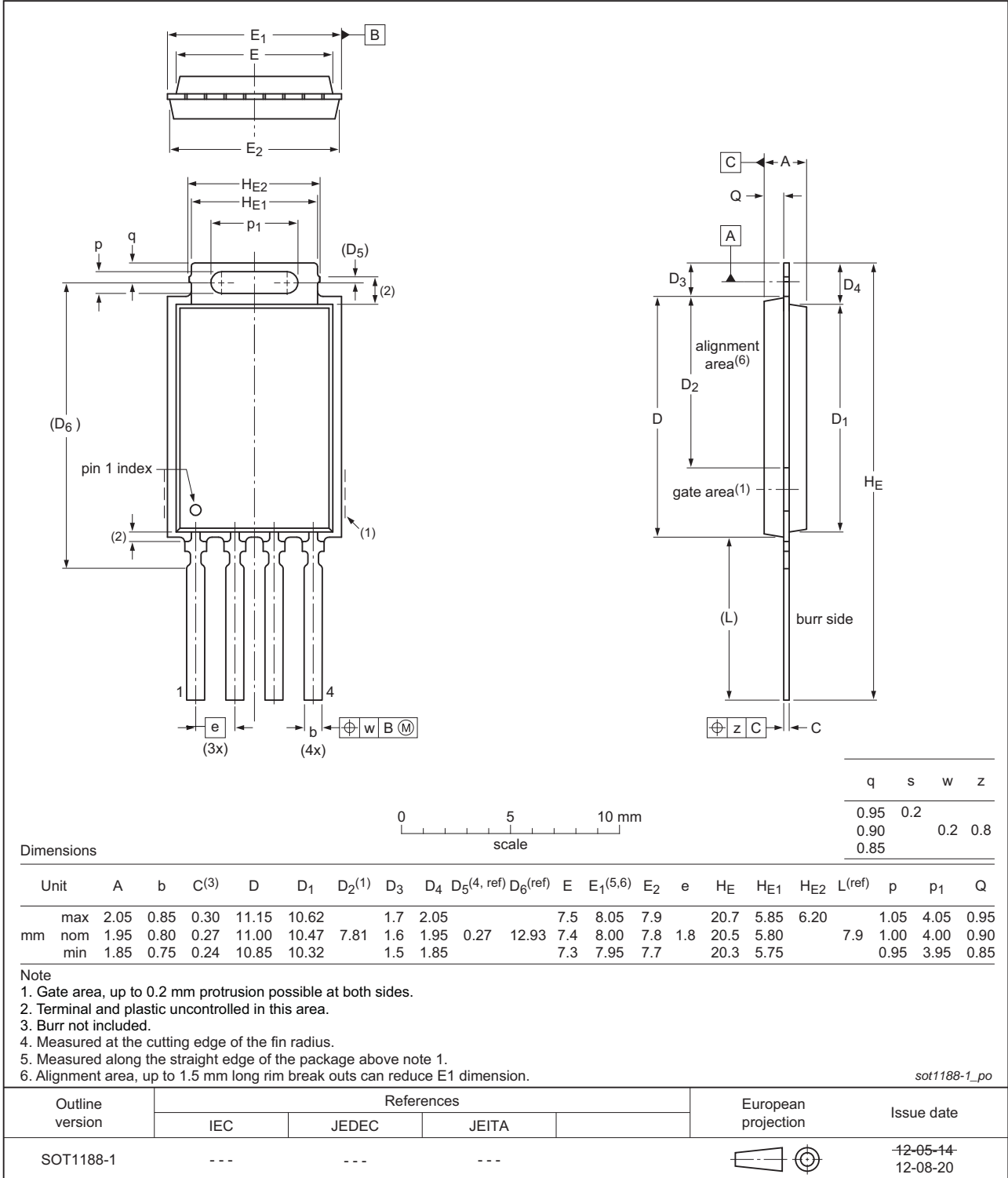
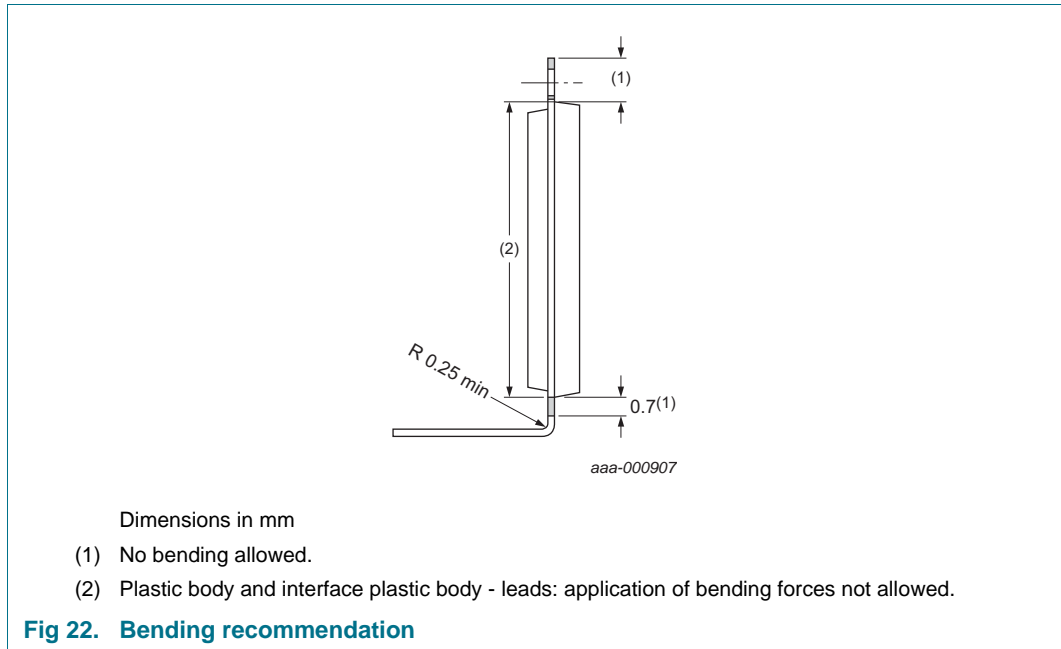


Fig 21. Package outline SOT1188-1 (SIL4)

## 21. Handling information



## 22. Solderability information

The solderability qualification is according to AEC-Q100 Rev-G. Recommended soldering process for leaded devices is wave soldering. The maximum soldering temperature is 260 °C for maximum 5 s. Device terminals are compatible with laser and electrical welding.

## 23. Revision history

**Table 29. Revision history**

Document ID	Release date	Data sheet status	Change notice	Supersedes
KMA220 v.2	20130409	Product data sheet	-	KMA220 v.1
Modifications:	<ul style="list-style-type: none"> <li>• <a href="#">Figure 1</a>: update</li> <li>• <a href="#">Section 18</a>: added one paragraph</li> <li>• <a href="#">Figure 20</a>: added</li> <li>• <a href="#">Figure 21</a>: update</li> </ul>			
KMA220 v.1	20120524	Product data sheet	-	-

## 24. Legal information

### 24.1 Data sheet status

Document status <sup>[1][2]</sup>	Product status <sup>[3]</sup>	Definition
Objective [short] data sheet	Development	This document contains data from the objective specification for product development.
Preliminary [short] data sheet	Qualification	This document contains data from the preliminary specification.
Product [short] data sheet	Production	This document contains the product specification.

[1] Please consult the most recently issued document before initiating or completing a design.

[2] The term 'short data sheet' is explained in section "Definitions".

[3] The product status of device(s) described in this document may have changed since this document was published and may differ in case of multiple devices. The latest product status information is available on the Internet at URL <http://www.nxp.com>.

### 24.2 Definitions

**Draft** — The document is a draft version only. The content is still under internal review and subject to formal approval, which may result in modifications or additions. NXP Semiconductors does not give any representations or warranties as to the accuracy or completeness of information included herein and shall have no liability for the consequences of use of such information.

**Short data sheet** — A short data sheet is an extract from a full data sheet with the same product type number(s) and title. A short data sheet is intended for quick reference only and should not be relied upon to contain detailed and full information. For detailed and full information see the relevant full data sheet, which is available on request via the local NXP Semiconductors sales office. In case of any inconsistency or conflict with the short data sheet, the full data sheet shall prevail.

**Product specification** — The information and data provided in a Product data sheet shall define the specification of the product as agreed between NXP Semiconductors and its customer, unless NXP Semiconductors and customer have explicitly agreed otherwise in writing. In no event however, shall an agreement be valid in which the NXP Semiconductors product is deemed to offer functions and qualities beyond those described in the Product data sheet.

### 24.3 Disclaimers

**Limited warranty and liability** — Information in this document is believed to be accurate and reliable. However, NXP Semiconductors does not give any representations or warranties, expressed or implied, as to the accuracy or completeness of such information and shall have no liability for the consequences of use of such information. NXP Semiconductors takes no responsibility for the content in this document if provided by an information source outside of NXP Semiconductors.

In no event shall NXP Semiconductors be liable for any indirect, incidental, punitive, special or consequential damages (including - without limitation - lost profits, lost savings, business interruption, costs related to the removal or replacement of any products or rework charges) whether or not such damages are based on tort (including negligence), warranty, breach of contract or any other legal theory.

Notwithstanding any damages that customer might incur for any reason whatsoever, NXP Semiconductors' aggregate and cumulative liability towards customer for the products described herein shall be limited in accordance with the *Terms and conditions of commercial sale* of NXP Semiconductors.

**Right to make changes** — NXP Semiconductors reserves the right to make changes to information published in this document, including without limitation specifications and product descriptions, at any time and without notice. This document supersedes and replaces all information supplied prior to the publication hereof.

**Suitability for use in automotive applications** — This NXP Semiconductors product has been qualified for use in automotive applications. Unless otherwise agreed in writing, the product is not designed, authorized or warranted to be suitable for use in life support, life-critical or safety-critical systems or equipment, nor in applications where failure or malfunction of an NXP Semiconductors product can reasonably be expected to result in personal injury, death or severe property or environmental damage. NXP Semiconductors and its suppliers accept no liability for inclusion and/or use of NXP Semiconductors products in such equipment or applications and therefore such inclusion and/or use is at the customer's own risk.

**Applications** — Applications that are described herein for any of these products are for illustrative purposes only. NXP Semiconductors makes no representation or warranty that such applications will be suitable for the specified use without further testing or modification.

Customers are responsible for the design and operation of their applications and products using NXP Semiconductors products, and NXP Semiconductors accepts no liability for any assistance with applications or customer product design. It is customer's sole responsibility to determine whether the NXP Semiconductors product is suitable and fit for the customer's applications and products planned, as well as for the planned application and use of customer's third party customer(s). Customers should provide appropriate design and operating safeguards to minimize the risks associated with their applications and products.

NXP Semiconductors does not accept any liability related to any default, damage, costs or problem which is based on any weakness or default in the customer's applications or products, or the application or use by customer's third party customer(s). Customer is responsible for doing all necessary testing for the customer's applications and products using NXP Semiconductors products in order to avoid a default of the applications and the products or of the application or use by customer's third party customer(s). NXP does not accept any liability in this respect.

**Limiting values** — Stress above one or more limiting values (as defined in the Absolute Maximum Ratings System of IEC 60134) will cause permanent damage to the device. Limiting values are stress ratings only and (proper) operation of the device at these or any other conditions above those given in the Recommended operating conditions section (if present) or the Characteristics sections of this document is not warranted. Constant or repeated exposure to limiting values will permanently and irreversibly affect the quality and reliability of the device.

**Terms and conditions of commercial sale** — NXP Semiconductors products are sold subject to the general terms and conditions of commercial sale, as published at <http://www.nxp.com/profile/terms>, unless otherwise agreed in a valid written individual agreement. In case an individual agreement is concluded only the terms and conditions of the respective agreement shall apply. NXP Semiconductors hereby expressly objects to applying the customer's general terms and conditions with regard to the purchase of NXP Semiconductors products by customer.

**No offer to sell or license** — Nothing in this document may be interpreted or construed as an offer to sell products that is open for acceptance or the grant, conveyance or implication of any license under any copyrights, patents or other industrial or intellectual property rights.

**Export control** — This document as well as the item(s) described herein may be subject to export control regulations. Export might require a prior authorization from competent authorities.

**Translations** — A non-English (translated) version of a document is for reference only. The English version shall prevail in case of any discrepancy between the translated and English versions.

## 24.4 Trademarks

Notice: All referenced brands, product names, service names and trademarks are the property of their respective owners.

## 25. Contact information

---

For more information, please visit: <http://www.nxp.com>

For sales office addresses, please send an email to: [salesaddresses@nxp.com](mailto:salesaddresses@nxp.com)

**26. Contents**

<b>1</b>	<b>Product profile</b> . . . . .	<b>1</b>	14.2.1	Absorber lined shielded enclosure . . . . .	28
1.1	General description . . . . .	1	14.2.2	Bulk-current injection . . . . .	28
1.2	Features and benefits . . . . .	1	14.2.3	Strip line . . . . .	28
<b>2</b>	<b>Pinning information</b> . . . . .	<b>2</b>	14.2.4	Immunity against mobile phones . . . . .	29
<b>3</b>	<b>Ordering information</b> . . . . .	<b>2</b>	14.3	Electrical transient transmission by capacitive coupling [ISO 7637-3, second edition (2007-07)] . . . . .	29
<b>4</b>	<b>Functional diagram</b> . . . . .	<b>3</b>	<b>15</b>	<b>ElectroStatic Discharge (ESD)</b> . . . . .	<b>29</b>
<b>5</b>	<b>Functional description</b> . . . . .	<b>4</b>	15.1	Human body model (AEC-Q100-002) . . . . .	29
5.1	Angular measurement directions . . . . .	4	15.2	Human metal model (ANSI/ESD SP5.6-2009) . . . . .	30
<b>6</b>	<b>Analog output</b> . . . . .	<b>5</b>	15.3	Machine model (AEC-Q100-003) . . . . .	30
<b>7</b>	<b>Diagnostic features</b> . . . . .	<b>6</b>	15.4	Charged-device model (AEC-Q100-011) . . . . .	30
7.1	CRC and EDC supervision . . . . .	6	<b>16</b>	<b>Application information</b> . . . . .	<b>30</b>
7.2	Magnet-loss detection . . . . .	6	<b>17</b>	<b>Test information</b> . . . . .	<b>31</b>
7.3	Power-loss detection . . . . .	6	17.1	Quality information . . . . .	31
7.4	Low supply voltage detection and overvoltage protection . . . . .	7	<b>18</b>	<b>Marking</b> . . . . .	<b>31</b>
<b>8</b>	<b>Limiting values</b> . . . . .	<b>8</b>	<b>19</b>	<b>Package information</b> . . . . .	<b>32</b>
<b>9</b>	<b>Recommended operating conditions</b> . . . . .	<b>9</b>	19.1	Reading point position . . . . .	32
<b>10</b>	<b>Thermal characteristics</b> . . . . .	<b>9</b>	19.2	Terminals . . . . .	32
<b>11</b>	<b>Characteristics</b> . . . . .	<b>9</b>	<b>20</b>	<b>Package outline</b> . . . . .	<b>33</b>
<b>12</b>	<b>Definition of errors</b> . . . . .	<b>14</b>	<b>21</b>	<b>Handling information</b> . . . . .	<b>34</b>
12.1	General . . . . .	14	<b>22</b>	<b>Solderability information</b> . . . . .	<b>34</b>
12.2	Hysteresis error . . . . .	14	<b>23</b>	<b>Revision history</b> . . . . .	<b>34</b>
12.3	Linearity error . . . . .	15	<b>24</b>	<b>Legal information</b> . . . . .	<b>35</b>
12.4	Microlinearity error . . . . .	15	24.1	Data sheet status . . . . .	35
12.5	Temperature drift error . . . . .	16	24.2	Definitions . . . . .	35
12.6	Angular error . . . . .	16	24.3	Disclaimers . . . . .	35
<b>13</b>	<b>Programming</b> . . . . .	<b>18</b>	24.4	Trademarks . . . . .	36
13.1	General description . . . . .	18	<b>25</b>	<b>Contact information</b> . . . . .	<b>36</b>
13.2	Timing characteristics . . . . .	19	<b>26</b>	<b>Contents</b> . . . . .	<b>37</b>
13.3	Sending and receiving data . . . . .	19			
13.3.1	Write access . . . . .	20			
13.3.2	Read access . . . . .	21			
13.3.3	Entering the command mode . . . . .	22			
13.4	Cyclic redundancy check . . . . .	22			
13.4.1	Software example in C . . . . .	23			
13.5	Registers . . . . .	24			
13.5.1	Command registers . . . . .	24			
13.5.2	Non-volatile memory registers . . . . .	25			
<b>14</b>	<b>Electromagnetic compatibility</b> . . . . .	<b>28</b>			
14.1	Emission (CISPR 25) . . . . .	28			
14.1.1	Conducted radio disturbance . . . . .	28			
14.1.2	Radiated radio disturbance . . . . .	28			
14.2	Radiated disturbances (ISO 11452-1 third edition (2005-02), ISO 11452-2, ISO 11452-4 and ISO 11452-5) . . . . .	28			

Please be aware that important notices concerning this document and the product(s) described herein, have been included in section 'Legal information'.