

6

5

4

3

2

1

APPROVED: \_\_\_\_\_

DATE: \_\_\_\_\_ TITLE: \_\_\_\_\_

Rev	AWO #	Description	Date	Appr
-		RELEASED	7/20/16	

D

D

C

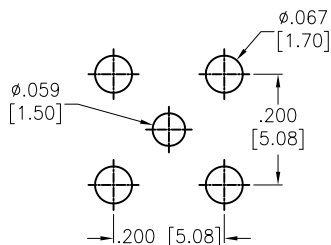
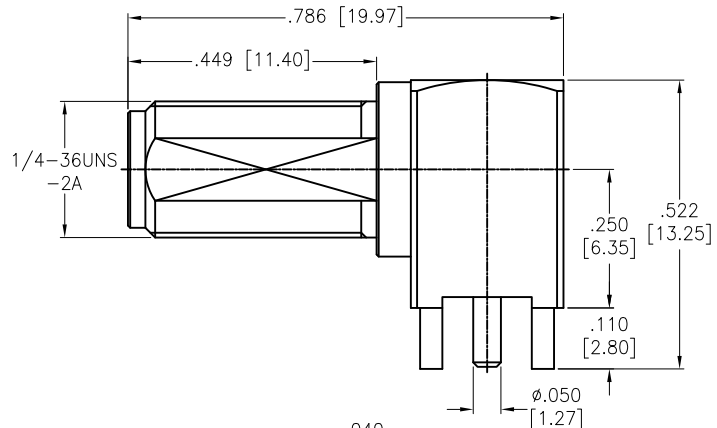
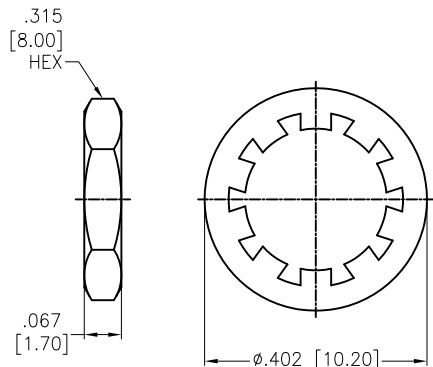
C

B

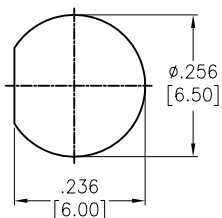
B

A

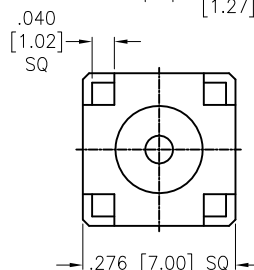
A



RECOMMENDED PCB LAYOUT



RECOMMENDED MOUNTING HOLE



HEX NUT	BRASS	GOLD
WASHER	S50C	GOLD
INSULATOR	PTFE	WHITE
HOUSING	BRASS	GOLD
CONTACT PIN	BRASS	GOLD
INSULATOR	PTFE	WHITE
BODY	BRASS	GOLD
DESCRIPTION	MATERIAL	FINISH

**SPECIFICATIONS:**

Electrical:  
Frequency range: DC-6 GHz  
Nominal Impedance: 50 Ohms  
Working Voltage: 335 VOLTS max  
Proof Voltage: 1000 VOLTS  
Temperature Rating:  
Operating temperature: -65°C to +165°C  
Environmental:  
Lead free, RoHS compliant.



MAX. PANEL THICKNESS=3.2mm

UNLESS OTHERWISE SPECIFIED ALL DIMENSIONS ARE INCHES [MM] TOLERANCES: EXCEPT AS NOTED		<b>ADAM TECH</b> 909 Rahway Avenue, Union, NJ 07083 Phone: 908-687-5000 Fax: 908-687-5710	
INCHES HOLES .X ± .10    <math>\phi</math>.X ± .10 .XX ± .020    <math>\phi</math>.XX ± .015 .XXX ± .015    <math>\phi</math>.XXX ± .010			
APPROVALS		TITLE	
DRAWN	AY	RF CONNECTOR, SMA JACK R/A PCB MOUNT	
CHECKED	SY	SIZE	PART NO.
APPROVED		X	RF2-49B-T-00-50-G-HDW
DATE		REF:	SHEET 1 OF 1
7/20/16		S00277T	SCALE: NTS
7/20/16			

6

5

4

3

2

1