

B26 3 000 N 2 **

SERIES
B26= FORM A
POLES
2= 2 POLE & 3= 3 POLE
CURVED BASE DIAMETER
000= FLAT
MATERIAL AND HOUSING COLOUR
N= PA6 BLACK, W= PA6 BLACK V0, G= PA6 GRAY

SCREW AND GASKET
2 = NBR FLAT GASKET & SCREWS
4 = SILICON FLAT GASKET & SCREWS
G = NO GASKET, WITH SCREWS
9 = NO FIXING SCREW AND GASKET WITH SPECIAL TERMINAL

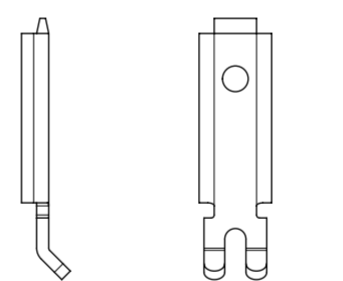
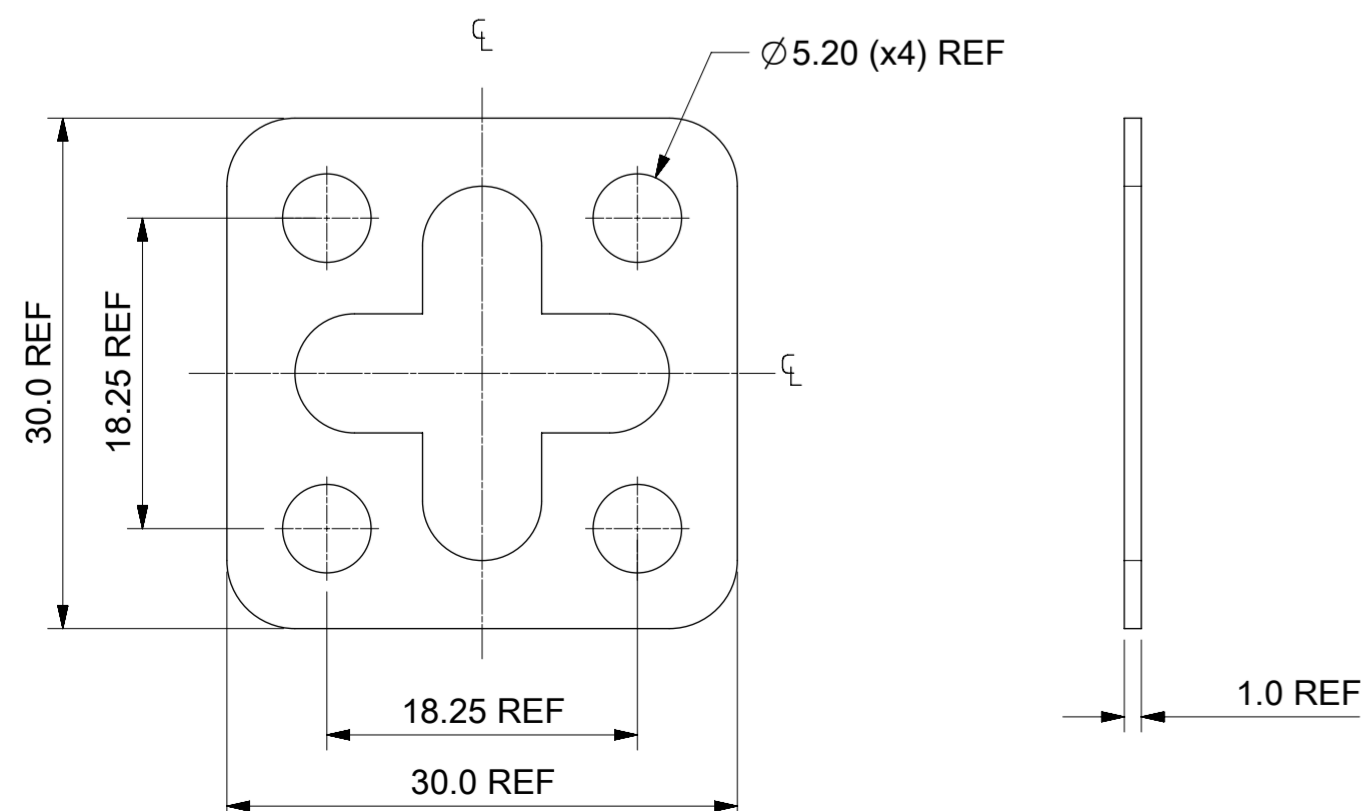
ADDITIONAL CODES
SA= UL AGENCY APPROVAL

| PART NO | MPM NO | DESCRIPTION | TERMINAL BEND ANGLE |
|------------|-------------|---|---------------------|
| 1210120071 | B262000N2 | TYPE A 2P BLACK, NBR FLAT GASKET & SCREWS | 30 |
| 1210120073 | B262000N4 | TYPE A 2P BLACK, SILICON FLAT GASKET & SCREWS | 30 |
| 1210120076 | B263000N2 | TYPE A 3P BLACK, NBR FLAT GASKET & SCREWS | 45 |
| 1210120078 | B263000N4 | TYPE A 3P BLACK, SILICON FLAT GASKET & SCREWS | 45 |
| 1210120080 | B263000W2 | TYPE A 3P BLACK V0, NBR FLAT GASKET & SCREWS | 45 |
| 1210120150 | B262000W2 | TYPE A 2P BLACK V0, NBR FLAT GASKET & SCREWS | 30 |
| 1210120151 | B263000G2 | TYPE A 3P GRAY, NBR FLAT GASKET & SCREWS | 45 |
| 1210120163 | B262000NG | TYPE A 2P BLACK, SCREWS, NO GASKET | 30 |
| 1210120174 | B262000W2SA | TYPE A 2P BLACK UL 94-V0, NBR FLAT GASKET & SCREWS | 30 |
| 1210120175 | B263000W2SA | TYPE A 3P BLACK UL 94-V0, NBR FLAT GASKET & SCREWS | 45 |
| 1210120197 | B263000W9SA | TYPE A 3P BLACK UL94-V0, NO GASKET, NO FIXING SCREW, SPECIAL TERMINAL | 45 |

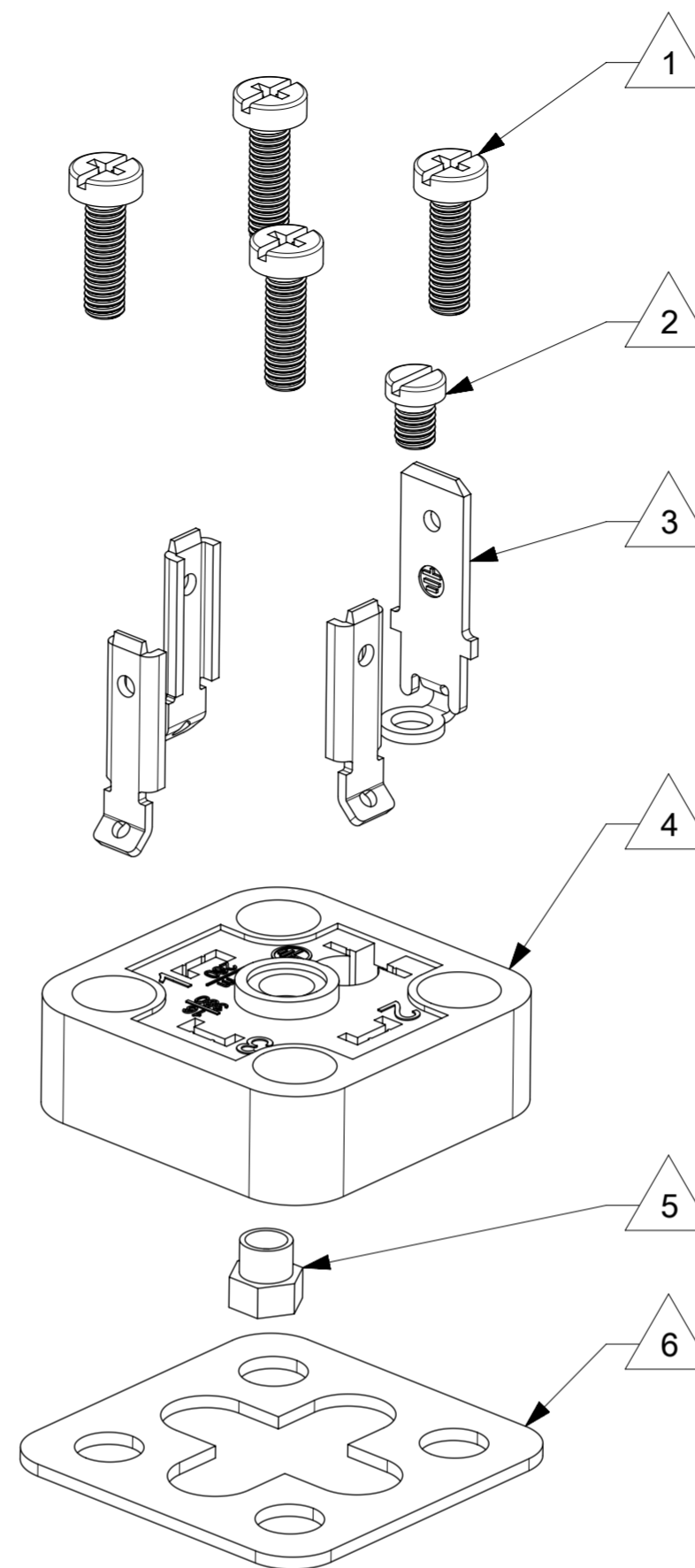
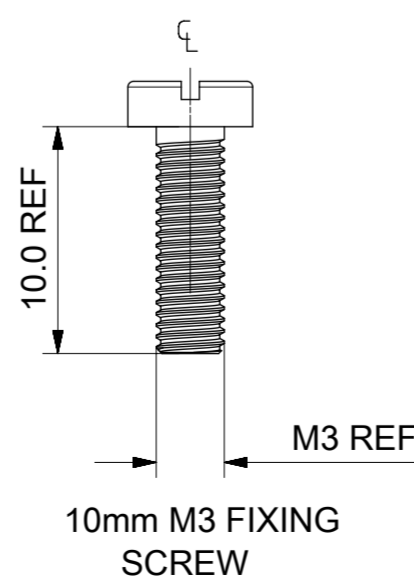
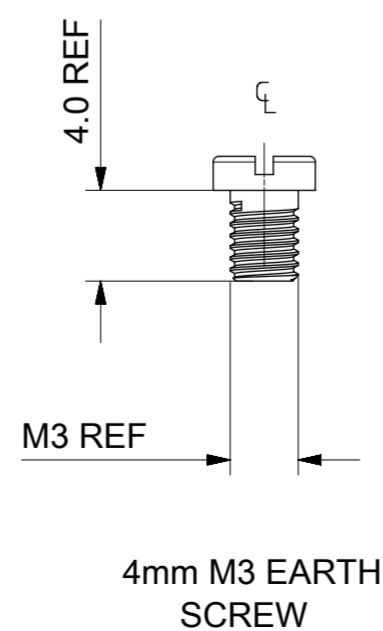
NOTES

- PLEASE SEE TABLE FOR CURRENTLY CONFIGURED PART NUMBERS. FOR SPECIFIC PART NUMBERS PLEASE CONTACT SALES OR CONSULT THE INTELLIGENT PART NUMBERS IN THE TABLE ATTACHED.
- FOR PACKAGING SEE PACKAGING SPEC PK-121012-B26
- PRODUCT SPEC: SEE PS-121201-001
- TERMINALS BENT AFTER INSERTION, SEE TABLE FOR BEND ANGLE

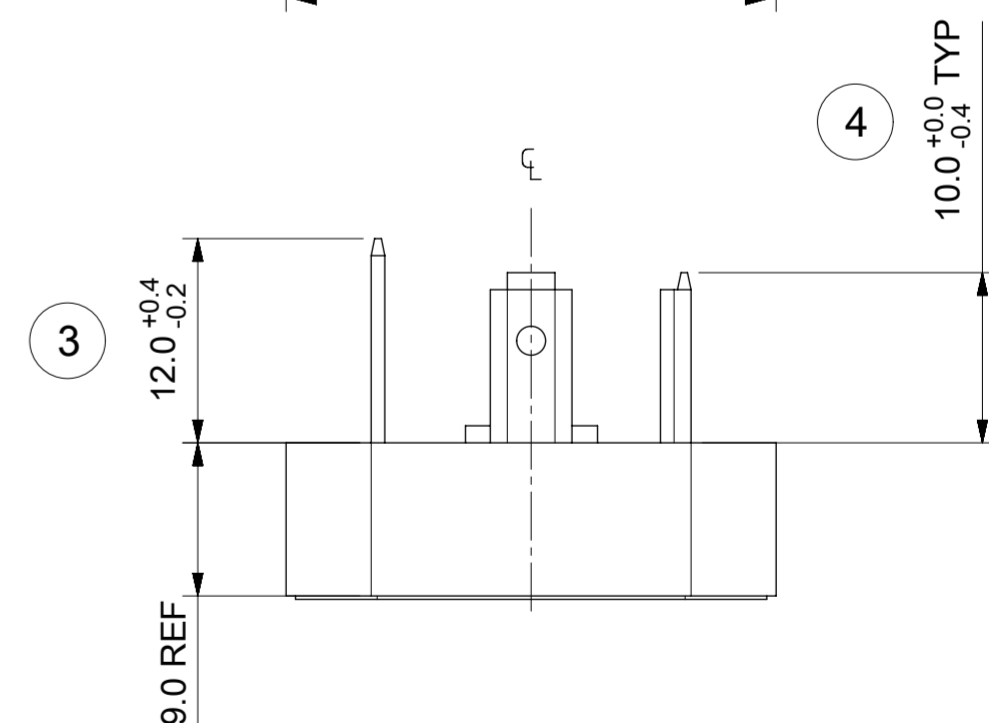
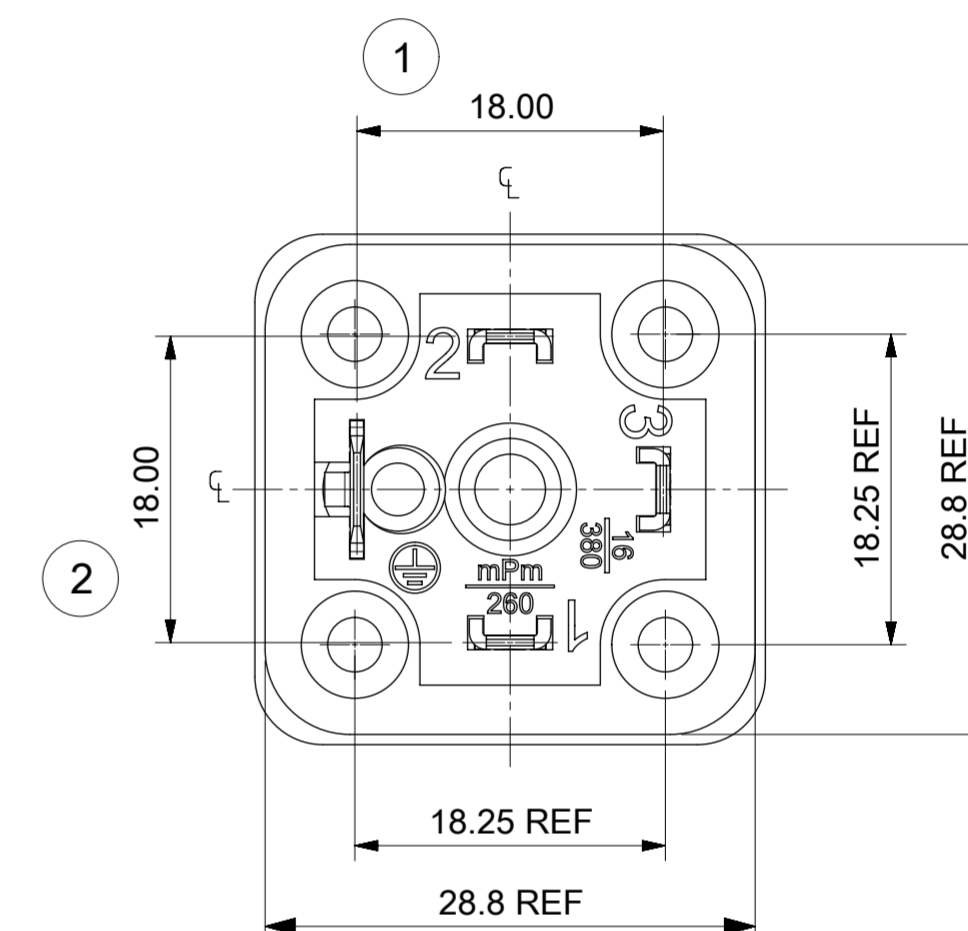
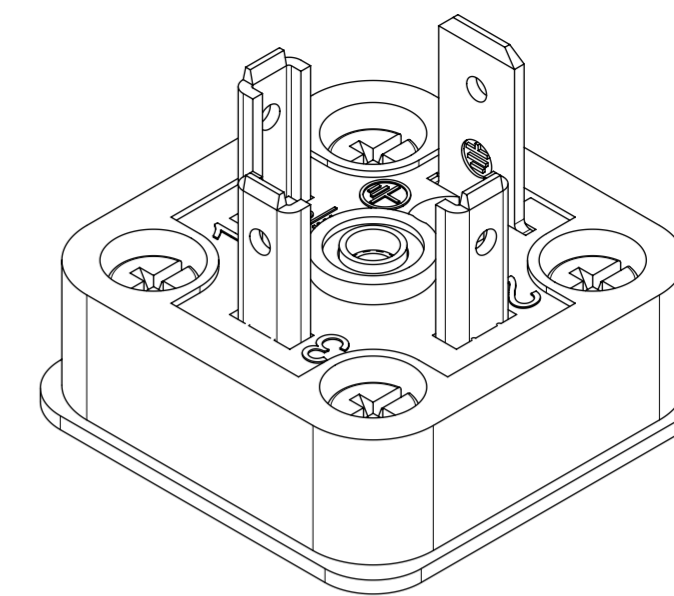
LAST INSPECTION NUMBER 4



SPECIAL TERMINAL
1211200021



| ITEM | DESCRIPTION |
|------|--------------|
| 1 | FIXING SCREW |
| 2 | EARTH SCREWS |
| 3 | TERMINALS |
| 4 | HOUSING |
| 5 | INSERT |
| 6 | GASKET |



| QUALITY SYMBOLS | THIS DRAWING CONTAINS INFORMATION THAT IS PROPRIETARY TO MOLEX ELECTRONIC TECHNOLOGIES, LLC AND SHOULD NOT BE USED WITHOUT WRITTEN PERMISSION | | GENERAL TOLERANCES (UNLESS SPECIFIED) | | DIMENSION UNITS | SCALE |
|-----------------|---|------------|---------------------------------------|--|--------------------------|------------------------|
| ▽ = 0 | EC NO: 108524 | 2016/09/14 | MM | DRWN BY | MM | DATE |
| ▽ = 0 | DRWN: TCLEARY | 2016/12/20 | ANGULAR TOL ± 2.0 ° | DATE | DSHEA | 2013/09/17 |
| ▽ = 0 | CHKD: BCAFFREY | 2016/12/20 | 4 PLACES ± | CHK'D BY | BCAFFREY | DATE |
| ▽ = 0 | APPR: DMAHER | 2016/12/20 | 3 PLACES ± | DATE | BCAFFREY | 2016/12/20 |
| ▽ = 0 | | | 2 PLACES ± 0.1 | APPR BY | STGRIFFIN | DATE |
| ▽ = 0 | | | 1 PLACE ± 0.2 | DATE | 2013/10/23 | |
| ▽ = 0 | | | 0 PLACES ± | DRAFT WHERE APPLICABLE MUST REMAIN WITHIN DIMENSIONS | A2 | THIRD ANGLE PROJECTION |
| ▽ = 0 | | | | | | |
| | D | | A2 | | molex® | |
| | D | | A2 | | B26 SERIES BASE | |
| | D | | A2 | | PRODUCT CUSTOMER DRAWING | |
| | D | | A2 | | SERIES | MATERIAL NUMBER |
| | D | | A2 | | 121012 | SEE TABLE |
| | D | | A2 | | CUSTOMER | GENERAL MARKET |
| | D | | A2 | | DOCUMENT NUMBER | DOC TYP |
| | D | | A2 | | SD-121012-002 | PSD |
| | D | | A2 | | DOC PART | 000 |
| | D | | A2 | | SHEET NUMBER | 1 OF 1 |