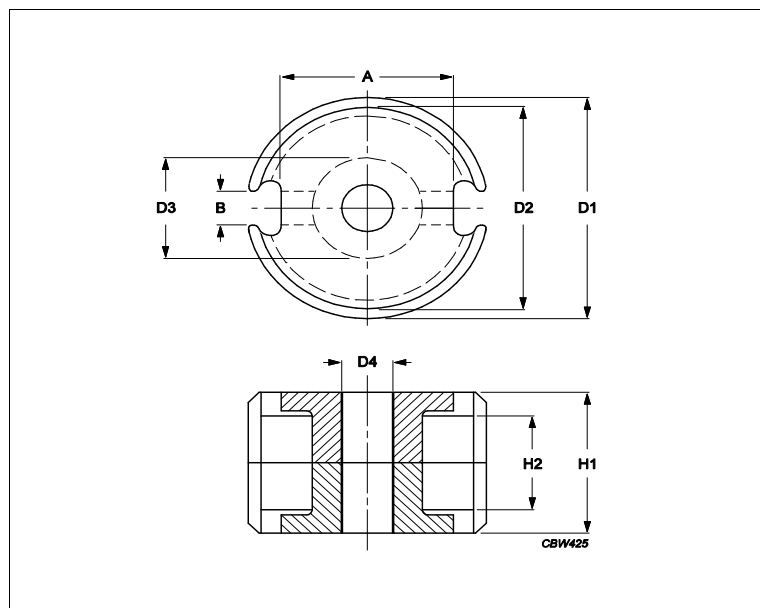


Core **P18/11**



Effective parameters			
	Parameter	Value	Unit
$\Sigma(I/A)$	core factor (C1)	0.597	mm ⁻¹
Ve	effective volume	1120	mm ³
Le	effective length	25.8	mm
Ae	effective area	43.3	mm ²
Amin	minimum area	36	mm ²
m	P18/11	≈ 6	g/set

Dimensions for product: P18/11

	Nom	Tol +	Tol -	Max	Min	Unit
A	13.40	0.30	0.30	13.70	13.10	mm
B	3.80	0.60	0.60	4.40	3.20	mm
D1	18.40	0.00	0.80	18.40	17.60	mm
D2	14.90	0.50	0.00	15.40	14.90	mm
D3	7.60	0.00	0.30	7.60	7.30	mm
D4	3.10	0.10	0.10	3.20	3.00	mm
H1	10.60	0.10	0.10	10.70	10.50	mm
H2	7.20	0.40	0.00	7.60	7.20	mm

Inductance factor

Material	Value	Tol +	Tol -	Unit
3C90	3400	25%	25%	nH/turns ²
3C91	4000	25%	25%	nH/turns ²
3C95	4000	25%	25%	nH/turns ²
3D3	1400	25%	25%	nH/turns ²
3F36	2200	25%	25%	nH/turns ²
3F46	1400	25%	25%	nH/turns ²
3H3	3100	25%	25%	nH/turns ²
4C65	260	25%	25%	nH/turns ²

Power loss: 3C90

Measuring conditions			Max	Unit
25 kHz	200 mT	100 °C	0.130	W/set

Core **P18/11**

Power loss: 3C91				
Measuring conditions			Max	Unit
100 kHz	200 mT	60 °C	0.560	W/set
Power loss: 3C95				
Measuring conditions			Max	Unit
100 kHz	200 mT	100 °C	0.540	W/set
100 kHz	200 mT	25 °C	0.580	W/set
Power loss: 3F36				
Measuring conditions			Max	Unit
500 kHz	50 mT	100 °C	0.170	W/set
500 kHz	100 mT	100 °C	1.300	W/set
Power loss: 3F46				
Measuring conditions			Max	Unit
1000 kHz	50 mT	100 °C	0.450	W/set
3000 kHz	10 mT	100 °C	0.200	W/set

Bsat					
Measuring conditions			Material	Min	Unit
10 kHz	250 A/m	100 °C	3C90	320	mT
10 kHz	250 A/m	100 °C	3C91	320	mT
10 kHz	250 A/m	100 °C	3C95	330	mT
10 kHz	250 A/m	100 °C	3F36	340	mT
10 kHz	250 A/m	100 °C	3F46	330	mT

Accessories		
Ordering name	Description	Ordering code
BPL/D-CLM/C-P18/11-C	Base plate, D shape to be used with CL	F0MPP01811BPLC000P
CLM/C-P18/11-C	Clamp, pin bend mounted	F0MPP01811CLMC000P
CLM/TP-P18/11-TZ	Clamp, self locking, with ground pin	F0MPP01811CLTP000P
CON-P18/11	Container	F0MPP01811CON0000P
CP-P18/11-1S	Coil former, termoplastic	F0PPP01811C000100P
CP-P18/11-1S-A	Coil former, termoplastic	F0PPP01811C001100P
CP-P18/11-2S	Coil former, termoplastic	F0PPP01811C000200P
CP-P18/11-3S	Coil former, termoplastic	F0PPP01811C000300P
CP-P18/11-3S-A	Coil former, termoplastic	F0PPP01811C001300P
CPV-P18/11-1S-6PDL	Coil former, termoplastic, vertical	F0PPP01811CV00106P
CPV-P18/11-1S-6PD-Z	Coil former, termoplastic, vertical	F0PPP01811CV01106P
CPV-P18/11-2S-6PD-Z	Coil former, termoplastic, vertical	F0PPP01811CV00206P
CPV-P18/11-3S-6PD-Z	Coil former, termoplastic, vertical	F0PPP01811CV00306P
SPR-P18/11	Spring	F0MPP01811SPR0000P
TGP-P18/11-C	Tag plante	F0MPP01811TGP0000P
WAS-CLM/C+S-P18/11	Washer, phenolformaldehyde (PF) to b	F0MPP01811WAS0000P
WAS-CLM/TP-P18/11	Washer, phenolformaldehyde (PF) to b	F0MPP01811WAS1000P